



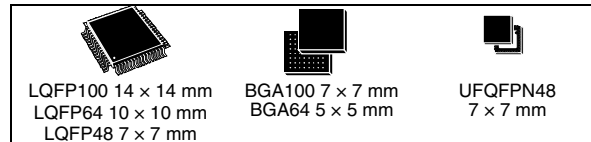
STM32L151xx STM32L152xx

Ultralow power ARM-based 32-bit MCU with up to 128 KB Flash, RTC, LCD, USB, USART, I2C, SPI, timers, ADC, DAC, comparators

Preliminary data

Features

- Operating conditions
 - Operating power supply range: 1.65 V to 3.6 V (without BOR) or 1.8 V to 3.6 V (with BOR option)
 - Temperature range: –40 to 85 °C
- Low power features
 - 4 modes: Sleep, Low-power run (9 µA at 32 kHz), Low-power sleep (4.9 µA), Stop with RTC (1.2 µA), Stop (570 nA), Standby (300 nA)
 - Dynamic core voltage scaling down to 233 µA/MHz³
 - Ultralow leakage per I/O: 50 nA
 - Fast wakeup from Stop: 8 µs
 - Three wakeup pins
- Core: ARM 32-bit Cortex™-M3 CPU
 - 32 MHz maximum frequency, 33.3 DMIPS peak (Dhrystone 2.1)
 - Memory protection unit
- Reset and supply management
 - Low power, ultrasafe BOR (brownout reset) with 5 selectable thresholds
 - Ultralow power POR/PDR
 - Programmable voltage detector (PVD)
- Clock management
 - 1 to 24 MHz crystal oscillator
 - 32 kHz oscillator for RTC with calibration
 - Internal 16 MHz factory-trimmed RC
 - Internal 37 kHz low consumption RC
 - Internal multispeed low power RC, 64 kHz to 4 MHz with a consumption down to 1.5 µA
 - PLL for CPU clock and USB (48 MHz)
- Low power calendar RTC
 - Alarm, periodic wakeup from Stop/Standby
- Memories
 - Up to 128 Kbyte of Flash memory with ECC



- 4 Kbyte of data EEPROM with ECC
- Up to 16 Kbyte of RAM
- Up to 83 fast I/Os (73 of which are 5 V-tolerant) all mappable on 16 external interrupt vectors
- Development support
 - Serial wire debug, JTAG and trace
- DMA: 7-channel DMA controller, supporting timers, ADC, SPIs, I²Cs and USARTs
- LCD 8 × 40 or 4 × 44 with step-up converter
- 12-bit ADC up to 1 Msps/24 channels
 - Temperature sensor and internal voltage reference
 - Operates down to 1.8 V
- 2 × 12-bit DACs with output buffers
- 2 ultralow power comparators
 - Window mode and wakeup capability
- 10 timers:
 - 6 × 16-bit general-purpose timers, each with up to 4 IC/OC/PWM channels
 - 2 × 16-bit basic timers
 - 2 × watchdog timers (independent and window)
- Up to 8 communication interfaces
 - Up to 2 × I²C interfaces (SMBus/PMBus)
 - Up to 3 × USARTs (ISO 7816 interface, LIN, IrDA capability, modem control)
 - Up to 2 × SPIs (16 Mbit/s)
 - USB 2.0 full-speed interface
- CRC calculation unit, 96-bit unique ID

Table 1. Device summary

Reference	Part number
STM32L151xx	STM32L151CB, STM32L151RB, STM32L151VB, STM32L151C8, STM32L151R8, STM32L151V8
STM32L152xx	STM32L152CB, STM32L152RB, STM32L152VB, STM32L152C8, STM32L152R8, STM32L152V8

Contents

- 1 Introduction 8**
- 2 Description 9**
 - 2.1 Device overview 10
 - 2.2 Ultralow power device continuum 11
 - 2.2.1 Performance 11
 - 2.2.2 Shared peripherals 11
 - 2.2.3 Common system strategy 11
 - 2.2.4 Features 11
- 3 Functional overview 12**
 - 3.1 Low power modes 13
 - 3.2 ARM® Cortex™-M3 core with MPU 14
 - 3.3 Reset and supply management 15
 - 3.3.1 Power supply schemes 15
 - 3.3.2 Power supply supervisor 15
 - 3.3.3 Voltage regulator 15
 - 3.3.4 Boot modes 15
 - 3.4 Clock management 16
 - 3.5 Low power real-time clock and backup registers 17
 - 3.6 GPIOs (general-purpose inputs/outputs) 18
 - 3.7 Memories 19
 - 3.8 DMA (direct memory access) 19
 - 3.9 LCD (liquid crystal display) 19
 - 3.10 ADC (analog-to-digital converter) 20
 - 3.11 DAC (digital-to-analog converter) 20
 - 3.12 Ultralow power comparators and reference voltage 21
 - 3.13 Routing interface 21
 - 3.14 Timers and watchdogs 21
 - 3.14.1 General-purpose timers (TIM2, TIM3, TIM4, TIM9, TIM10 and TIM11) 21
 - 3.14.2 Basic timers (TIM6 and TIM7) 22
 - 3.14.3 SysTick timer 22
 - 3.14.4 Independent watchdog (IWDG) 22

3.14.5	Window watchdog (WWDG)	22
3.15	Communication interfaces	23
3.15.1	I ² C bus	23
3.15.2	Universal synchronous/asynchronous receiver transmitter (USART)	23
3.15.3	Serial peripheral interface (SPI)	23
3.15.4	Universal serial bus (USB)	23
3.16	CRC (cyclic redundancy check) calculation unit	23
3.17	Development support	24
4	Pin descriptions	25
5	Memory mapping	40
6	Electrical characteristics	41
6.1	Parameter conditions	41
6.1.1	Minimum and maximum values	41
6.1.2	Typical values	41
6.1.3	Typical curves	41
6.1.4	Loading capacitor	41
6.1.5	Pin input voltage	41
6.1.6	Power supply scheme	42
6.1.7	Current consumption measurement	42
6.2	Absolute maximum ratings	43
6.3	Operating conditions	44
6.3.1	General operating conditions	44
6.3.2	Embedded reset and power control block characteristics	46
6.3.3	Embedded internal reference voltage	48
6.3.4	Supply current characteristics	49
6.3.5	External clock source characteristics	59
6.3.6	Internal clock source characteristics	65
6.3.7	PLL characteristics	68
6.3.8	Memory characteristics	69
6.3.9	EMC characteristics	70
6.3.10	Absolute maximum ratings (electrical sensitivity)	71
6.3.11	I/O port characteristics	72
6.3.12	NRST pin characteristics	76
6.3.13	TIM timer characteristics	77

6.3.14	Communications interfaces	78
6.3.15	12-bit ADC characteristics	84
6.3.16	DAC electrical specifications	90
6.3.17	Temperature sensor characteristics	92
6.3.18	Comparator	93
6.3.19	LCD controller (STM32L152xx only)	94
7	Package characteristics	95
7.1	Package mechanical data	95
7.2	Thermal characteristics	103
7.2.1	Reference document	103
8	Ordering information scheme	104
9	Revision history	105

List of tables

Table 1.	Device summary	1
Table 2.	Ultralow power STM32L15xxx device features and peripheral counts	10
Table 3.	Timer feature comparison	21
Table 4.	STM32L15xxx pin definitions	30
Table 5.	Alternate function input/output	35
Table 6.	Voltage characteristics	43
Table 7.	Current characteristics	43
Table 8.	Thermal characteristics	44
Table 9.	General operating conditions	44
Table 10.	Functionalities depending on the operating power supply range	45
Table 11.	Embedded reset and power control block characteristics	46
Table 12.	Embedded internal reference voltage	48
Table 13.	Current consumption in Run mode, code with data processing running from Flash	49
Table 14.	Current consumption in Run mode, code with data processing running from RAM	50
Table 15.	Current consumption in Sleep mode	51
Table 16.	Current consumption in Low power run mode	52
Table 17.	Current consumption in Low power sleep mode	53
Table 18.	Typical and maximum current consumptions in Stop mode	54
Table 19.	Typical and maximum current consumptions in Standby mode	55
Table 20.	Typical and maximum timings in Low power modes	56
Table 21.	Peripheral current consumption	57
Table 22.	High-speed external user clock characteristics	59
Table 23.	Low-speed external user clock characteristics	60
Table 24.	HSE 1-24 MHz oscillator characteristics	62
Table 25.	LSE oscillator characteristics ($f_{LSE} = 32.768$ kHz)	63
Table 26.	HSI oscillator characteristics	65
Table 27.	LSI oscillator characteristics	65
Table 28.	MSI oscillator characteristics	66
Table 29.	PLL characteristics	68
Table 30.	RAM and hardware registers	69
Table 31.	Flash memory characteristics	69
Table 32.	Flash memory endurance and data retention	69
Table 33.	EMS characteristics	70
Table 34.	EMI characteristics	71
Table 35.	ESD absolute maximum ratings	71
Table 36.	Electrical sensitivities	72
Table 37.	I/O static characteristics	72
Table 38.	Output voltage characteristics	74
Table 39.	I/O AC characteristics	75
Table 40.	NRST pin characteristics	76
Table 41.	TIMx characteristics	77
Table 42.	I ² C characteristics	78
Table 43.	SCL frequency ($f_{PCLK1} = 32$ MHz, $V_{DD} = 3.3$ V)	79
Table 44.	SPI characteristics	80
Table 45.	USB startup time	82
Table 46.	USB DC electrical characteristics	83
Table 47.	USB: full-speed electrical characteristics	83
Table 48.	ADC clock frequency	84

Table 49.	ADC characteristics	84
Table 50.	ADC accuracy	86
Table 51.	R_{AIN} max for $f_{ADC} = 16$ MHz(1)	88
Table 52.	DAC characteristics	90
Table 53.	TS characteristics	92
Table 54.	Comparator 1 characteristics	93
Table 55.	Comparator 2 characteristics	93
Table 56.	LCD controller characteristics	94
Table 57.	UFQFPN48 – ultra thin fine pitch quad flat pack no-lead 7 × 7 mm, 0.5 mm pitch package mechanical data	96
Table 58.	TFBGA64 - 8 x 8 active ball array, 5 x 5 mm, 0.5 mm pitch, package mechanical data	97
Table 59.	UFBGA100 - ultra fine pitch ball grid array, 7 x 7 mm, 0.50 mm pitch, package mechanical data	99
Table 60.	LQPF100, 14 x 14 mm, 100-pin low-profile quad flat package mechanical data	100
Table 61.	LQFP64, 10 x 10 mm, 64-pin low-profile quad flat package mechanical data	101
Table 62.	LQFP48, 7 x 7 mm, 48-pin low-profile quad flat package mechanical data	102
Table 63.	Thermal characteristics	103
Table 64.	Ordering information scheme	104

List of figures

Figure 1.	Ultralow power STM32L15xxx block diagram.	12
Figure 2.	Clock tree	17
Figure 3.	STM32L15xxx UFBGA100 ballout	25
Figure 4.	STM32L15xxx TFBGA64 ballout	26
Figure 5.	STM32L15xxx LQFP100 pinout	27
Figure 6.	STM32L15xxx LQFP64 pinout	28
Figure 7.	STM32L15xxx LQFP48 pinout	28
Figure 8.	STM32L15xxx UFQFPN48 pinout	29
Figure 9.	Memory map	40
Figure 10.	Pin loading conditions.	41
Figure 11.	Pin input voltage	41
Figure 12.	Power supply scheme.	42
Figure 13.	Current consumption measurement scheme	42
Figure 14.	Low-speed external clock source AC timing diagram	60
Figure 15.	High-speed external clock source AC timing diagram	61
Figure 16.	HSE oscillator circuit diagram.	63
Figure 17.	Typical application with a 32.768 kHz crystal	64
Figure 18.	I/O AC characteristics definition	76
Figure 19.	Recommended NRST pin protection	77
Figure 20.	I ² C bus AC waveforms and measurement circuit.	79
Figure 21.	SPI timing diagram - slave mode and CPHA = 0	81
Figure 22.	SPI timing diagram - slave mode and CPHA = 1 ⁽¹⁾	81
Figure 23.	SPI timing diagram - master mode ⁽¹⁾	82
Figure 24.	USB timings: definition of data signal rise and fall time	83
Figure 25.	ADC accuracy characteristics.	87
Figure 26.	Typical connection diagram using the ADC	87
Figure 27.	Maximum dynamic current consumption on V _{REF+} supply pin during ADC conversion	88
Figure 28.	Power supply and reference decoupling (V _{REF+} not connected to V _{DDA}).	89
Figure 29.	Power supply and reference decoupling (V _{REF+} connected to V _{DDA}).	89
Figure 30.	12-bit buffered /non-buffered DAC	92
Figure 31.	UFQFPN48 7 x 7 mm, 0.5 mm pitch, package outline	96
Figure 32.	Recommended footprint (dimensions in mm) ⁽¹⁾	96
Figure 33.	TFBGA64 - 8 x 8 active ball array, 5 x 5 mm, 0.5 mm pitch, package outline	97
Figure 34.	Recommended PCB design rules for pads (0.5 mm pitch BGA)	98
Figure 35.	UFBGA100 - ultra fine pitch ball grid array, 7 x 7 mm, 0.50 mm pitch, package outline.	99
Figure 36.	LQFP100, 14 x 14 mm, 100-pin low-profile quad flat package outline	100
Figure 37.	Recommended footprint ⁽¹⁾	100
Figure 38.	LQFP64, 10 x 10 mm, 64-pin low-profile quad flat package outline	101
Figure 39.	Recommended footprint ⁽¹⁾	101
Figure 40.	LQFP48, 7 x 7 mm, 48-pin low-profile quad flat package outline	102
Figure 41.	Recommended footprint ⁽¹⁾	102

1 Introduction

This datasheet provides the ordering information and mechanical device characteristics of the STM32L151xx and STM32L152xx ultralow power ARM Cortex™-based microcontrollers product line.

The ultralow power STM32L15xxx family includes devices in 3 different package types: from 48 pins to 100 pins. Depending on the device chosen, different sets of peripherals are included, the description below gives an overview of the complete range of peripherals proposed in this family.

These features make the ultralow power STM32L15xxx microcontroller family suitable for a wide range of applications:

- Medical and handheld equipment
- Application control and user interface
- PC peripherals, gaming, GPS and sport equipment
- Alarm systems, Wired and wireless sensors, Video intercom
- Utility metering

For information on the Cortex™-M3 core please refer to the Cortex™-M3 Technical Reference Manual, available from the www.arm.com website at the following address: <http://infocenter.arm.com/help/index.jsp?topic=/com.arm.doc.ddi0337g>.

Figure 1 shows the general block diagram of the device family.

2 Description

The ultralow power STM32L15xxx incorporates the connectivity power of the universal serial bus (USB) with the high-performance ARM Cortex™-M3 32-bit RISC core operating at a 32 MHz frequency, a memory protection unit (MPU), high-speed embedded memories (Flash memory up to 128 Kbytes and RAM up to 16 Kbytes), and an extensive range of enhanced I/Os and peripherals connected to two APB buses. All devices offer a 12-bit ADC, 2 DACs and 2 ultralow power comparators, six general-purpose 16-bit timers and two basic timers, which can be used as time bases. Moreover, the STM32L15xxx devices contain standard and advanced communication interfaces: up to two I²Cs and SPIs, three USARTs and a USB. They also include a real-time clock and a set of backup registers that remain powered in Standby mode. Finally, the integrated LCD controller has a built-in LCD voltage generator that allows you to drive up to 8 multiplexed LCDs with contrast independent of the supply voltage.

The ultralow power STM32L15xxx operates from a 1.8 to 3.6 V power supply (down to 1.65 V at power down) with BOR and from a 1.65 to 3.6 V power supply without BOR option. It is available in the -40 to +85 °C temperature range. A comprehensive set of power-saving modes allows the design of low-power applications

2.1 Device overview

Table 2. Ultralow power STM32L15xxx device features and peripheral counts

Peripheral		STM32L15xCx		STM32L15xRx		STM32L15Vx	
Flash - Kbytes		64	128	64	128	64	128
RAM - Kbytes		10	16	10	16	10	16
Timers	General-purpose	6		6		6	
	Basic	2		2		2	
Communication interfaces	SPI	2		2		2	
	I ² C	2		2		2	
	USART	3		3		3	
	USB	1		1		1	
GPIOs		37		51		83	
12-bit synchronized ADC Number of channels		1 16 channels		1 20 channels		1 24 channels	
12-bit DAC Number of channels		2 2		2 2		2 2	
LCD (STM32L152xx Only) COM x SEG		4x16		4x32 8x28		4x44 8x40	
Comparator		2		2		2	
CPU frequency		32 MHz					
Operating voltage		1.8 V to 3.6 V (down to 1.65 V at power-down) with BOR option 1.65 V to 3.6 V without BOR option					
Operating temperatures		Ambient temperatures: -40 to +85 °C Junction temperature: -40 to + 105 °C					
Packages		LQFP48, UFQFPN48		LQFP64, BGA64		LQFP100, BGA100	



2.2 Ultralow power device continuum

The ultralow power STM32L151xx and STM32L152xx are fully pin-to-pin, software and feature compatible. Besides the full compatibility within the family, the devices are part of STMicroelectronics microcontrollers ultralow power strategy which also includes STM8L101xx and STM8L15xx devices. The STM8L and STM32L families allow a continuum of performance, peripherals, system architecture and features.

They are all based on STMicroelectronics 0.13 µm ultralow leakage process.

Note: The ultralow power STM32L and general-purpose STM32Fxxx families are pin-to-pin compatible. The STM8L15xxx devices are pin-to-pin compatible with the STM8L101xx devices. Please refer to the STM32F and STM8L documentation for more information on these devices.

2.2.1 Performance

All families incorporate highly energy-efficient cores with both Harvard architecture and pipelined execution: advanced STM8 core for STM8L families and ARM Cortex™-M3 core for STM32L family. In addition specific care for the design architecture has been taken to optimize the mA/DMIPS and mA/MHz ratios.

This allows the ultralow power performance to range from 5 up to 33.3 DMIPs.

2.2.2 Shared peripherals

STM8L15xxx and STM32L15xxx share identical peripherals which ensure a very easy migration from one family to another:

- Analog peripherals: ADC, DAC, and comparators
- Digital peripherals: RTC and some communication interfaces

2.2.3 Common system strategy

To offer flexibility and optimize performance, the STM8L15xx and STM32L15xx families use a common architecture:

- Same power supply range from 1.65 V to 3.6 V, (1.65 V at power down only for STM8L15xx devices)
- Architecture optimized to reach ultralow consumption both in low power modes and Run mode
- Fast startup strategy from low power modes
- Flexible system clock
- Ultrasafe reset: same reset strategy including power-on reset, power-down reset, brownout reset and programmable voltage detector.

2.2.4 Features

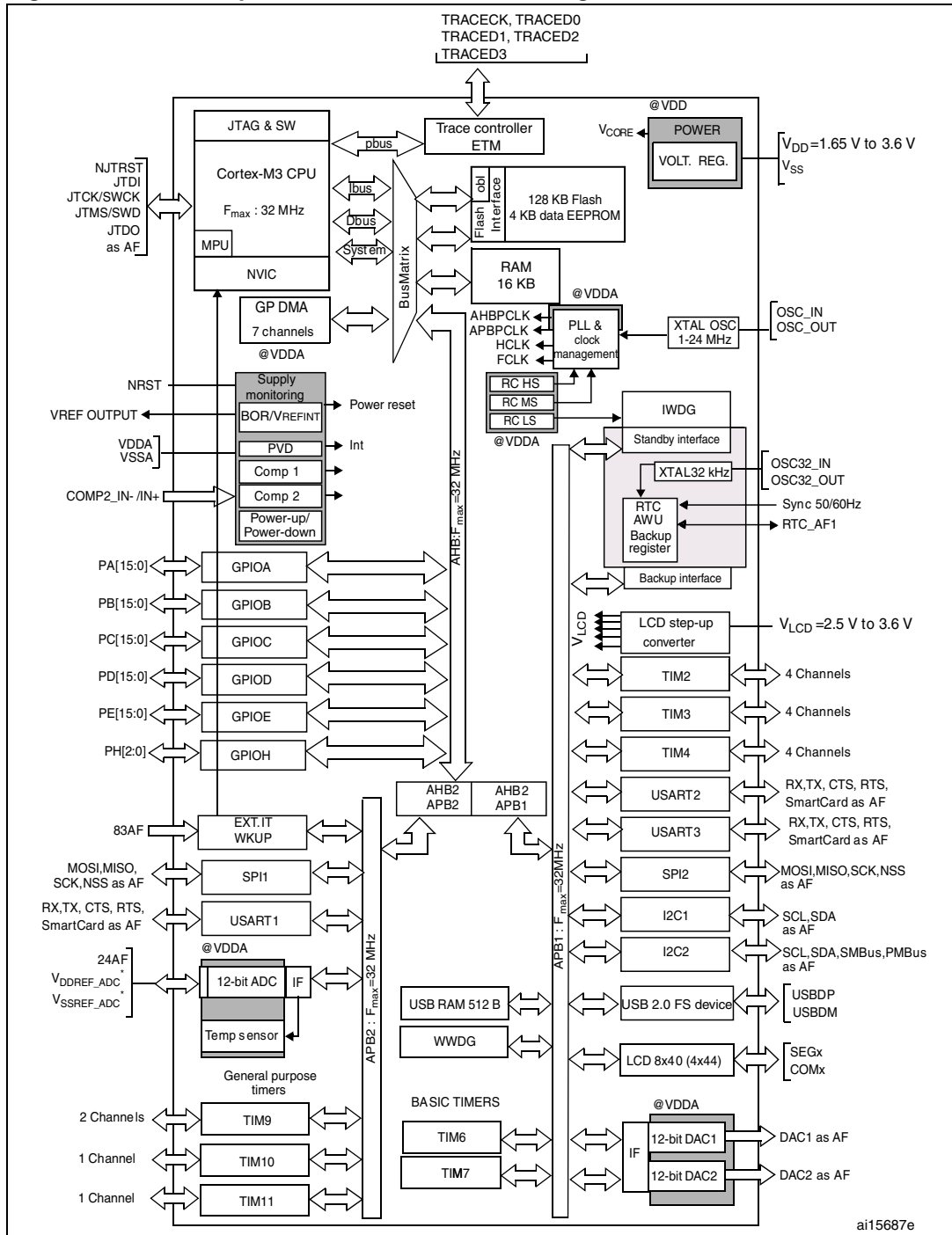
ST ultralow power continuum also lies in feature compatibility:

- More than 10 packages with pin count from 20 to 100 pins and size down to 3 x 3 mm
- Memory density ranging from 4 to 128 Kbytes

3 Functional overview

Figure 1 shows the block diagrams.

Figure 1. Ultralow power STM32L15xxx block diagram



1. AF = alternate function on I/O port pin.

3.1 Low power modes

The ultralow power STM32L15xxx supports dynamic voltage scaling to optimize its power consumption in run mode. The voltage from the internal low-drop regulator that supplies the logic can be adjusted according to the system's maximum operating frequency and the external voltage supply:

- In range 1 (V_{DD} range limited to 2.0-3.6 V), the CPU runs at up to 32 MHz (refer to [Table 13](#) for consumptions).
- In range 2 (full V_{DD} range), the CPU runs at up to 16 MHz (refer to [Table 13](#) for consumptions)
- In range 3 (full V_{DD} range), the CPU runs at up to 4 MHz (generated only with the multispeed internal RC oscillator clock source). Refer to [Table 13](#) for consumptions.

Seven low power modes are provided to achieve the best compromise between low power consumption, short startup time and available wakeup sources:

- **Sleep mode**
In Sleep mode, only the CPU is stopped. All peripherals continue to operate and can wake up the CPU when an interrupt/event occurs.
Sleep mode power consumptions: refer to [Table 15](#).
- **Low power run mode**
This mode is achieved with the multispeed internal (MSI) RC oscillator set to the minimum clock (64 kHz), execution from SRAM or Flash memory, and internal regulator in low power mode to minimize the regulator's operating current. In the Low power run mode, the clock frequency and the number of enabled peripherals are both limited.
Low power run mode consumptions: refer to [Table 16](#).
- **Low power sleep mode**
This mode is achieved by entering the Sleep mode with the internal voltage regulator in Low power mode to minimize the regulator's operating current. In the Low power sleep mode, both the clock frequency and the number of enabled peripherals are limited; a typical example would be to have a timer running at 32 kHz.
When wakeup is triggered by an event or an interrupt, the system reverts to the run mode with the regulator on.
Low power sleep mode consumptions: refer to [Table 17](#).
- **Stop mode (with or without RTC)**
The Stop mode achieves the lowest power consumption while retaining the RAM and register contents. All clocks in the V_{CORE} domain are stopped, the PLL, MSI RC, HSI RC and HSE crystal oscillators are disabled. The voltage regulator is in the low power mode.
The device can be woken up from the Stop mode by any of the EXTI line, in 8 μ s. The EXTI line source can be one of the 16 external lines, the PVD output, the RTC alarm(s), the USB wakeup, the RTC tamper event, the RTC timestamp event, the RTC Wakeup, the Comparator 1 event or Comparator 2 event.
Stop mode consumptions: refer to [Table 18](#).
- **Standby mode (with or without RTC)**
The Standby mode is used to achieve the lowest power consumption. The internal voltage regulator is switched off so that the entire V_{CORE} domain is powered off. The PLL, MSI RC, HSI RC and HSE crystal oscillators are also switched off. After entering

Standby mode, the RAM and register contents are lost except for registers in the Standby circuitry (wake-up logic, IWDG, RTC, LSI, LSE Crystal 32K osc, RCC CSR).

The device exits the Standby mode in 60 μ s when an external reset (NRST pin), an IWDG reset, a rising edge on one of the three WKUP pins, RTC alarm (Alarm A or Alarm B), RTC tamper event, RTC timestamp event or RTC Wakeup event.

Standby mode consumptions: refer to [Table 19](#).

Note: The RTC, the IWDG, and the corresponding clock sources are not stopped by entering the Stop or Standby mode.

3.2 ARM[®] Cortex[™]-M3 core with MPU

The ARM Cortex[™]-M3 processor is the latest generation of ARM processors for embedded systems. It has been developed to provide a low-cost platform that meets the needs of MCU implementation, with a reduced pin count and low-power consumption, while delivering outstanding computational performance and an advanced system response to interrupts.

The ARM Cortex[™]-M3 32-bit RISC processor features exceptional code-efficiency, delivering the high-performance expected from an ARM core in the memory size usually associated with 8- and 16-bit devices.

The memory protection unit (MPU) improves system reliability by defining the memory attributes (such as read/write access permissions) for different memory regions. It provides up to eight different regions and an optional predefined background region.

Owing to its embedded ARM core, the STM32L15xxx is compatible with all ARM tools and software.

Nested vectored interrupt controller (NVIC)

The ultralow power STM32L15xxx embeds a nested vectored interrupt controller able to handle up to 45 maskable interrupt channels (not including the 16 interrupt lines of Cortex[™]-M3) and 16 priority levels.

- Closely coupled NVIC gives low-latency interrupt processing
- Interrupt entry vector table address passed directly to the core
- Closely coupled NVIC core interface
- Allows early processing of interrupts
- Processing of *late arriving*, higher-priority interrupts
- Support for tail-chaining
- Processor state automatically saved
- Interrupt entry restored on interrupt exit with no instruction overhead

This hardware block provides flexible interrupt management features with minimal interrupt latency.

3.3 Reset and supply management

3.3.1 Power supply schemes

- $V_{DD} = 1.65$ to 3.6 V: external power supply for I/Os and the internal regulator. Provided externally through V_{DD} pins.
- V_{SSA} , $V_{DDA} = 1.65$ to 3.6 V: external analog power supplies for ADC, reset blocks, RCs and PLL (minimum voltage to be applied to V_{DDA} is 1.8 V when the ADC is used). V_{DDA} and V_{SSA} must be connected to V_{DD} and V_{SS} , respectively.

3.3.2 Power supply supervisor

The device has an integrated ZEROPOWER power-on reset (POR)/power-down reset (PDR) that can be coupled with a brownout reset (BOR) circuitry.

For devices operating between 1.8 and 3.6 V, the BOR is always active at power-on and ensures proper operation starting from 1.8 V. After the 1.8 V BOR threshold is reached, the option byte loading process starts, either to confirm or modify default thresholds, or to disable BOR permanently (in which case, the V_{DD} min value at power down is 1.65 V). Five BOR thresholds are available through option bytes, starting from 1.8 V to 3 V. To reduce the power consumption in Stop mode, it is possible to automatically switch off the internal reference voltage (V_{REFINT}) in Stop mode. The device remains in reset mode when V_{DD} is below a specified threshold, $V_{POR/PDR}$ or V_{BOR} , without the need for any external reset circuit.

Note: For devices operating between 1.65 V and 3.6 V, the BOR is permanently disabled. Consequently, the start-up time at power-on can be decreased down to 1 ms typically.

The device features an embedded programmable voltage detector (PVD) that monitors the V_{DD}/V_{DDA} power supply and compares it to the V_{PVD} threshold. This PVD offers 7 different levels between 1.85 V and 3.05 V, chosen by software, with a step around 200 mV. An interrupt can be generated when V_{DD}/V_{DDA} drops below the V_{PVD} threshold and/or when V_{DD}/V_{DDA} is higher than the V_{PVD} threshold. The interrupt service routine can then generate a warning message and/or put the MCU into a safe state. The PVD is enabled by software.

3.3.3 Voltage regulator

The regulator has three operation modes: main (MR), low power (LPR) and power down.

- MR is used in Run mode (nominal regulation)
- LPR is used in the Low-power run, Low-power sleep and Stop modes
- Power down is used in Standby mode. The regulator output is high impedance, the kernel circuitry is powered down, inducing zero consumption but the contents of the registers and RAM are lost except for the standby circuitry (wake-up logic, IWDG, RTC, LSI, LSE crystal 32 K osc, RCC_CSR).

3.3.4 Boot modes

At startup, boot pins are used to select one of three boot options:

- Boot from Flash memory
- Boot from System Memory
- Boot from embedded RAM

The boot loader is located in System Memory. It is used to reprogram the Flash memory by using USART1 or USART2. For further details please refer to AN2606.

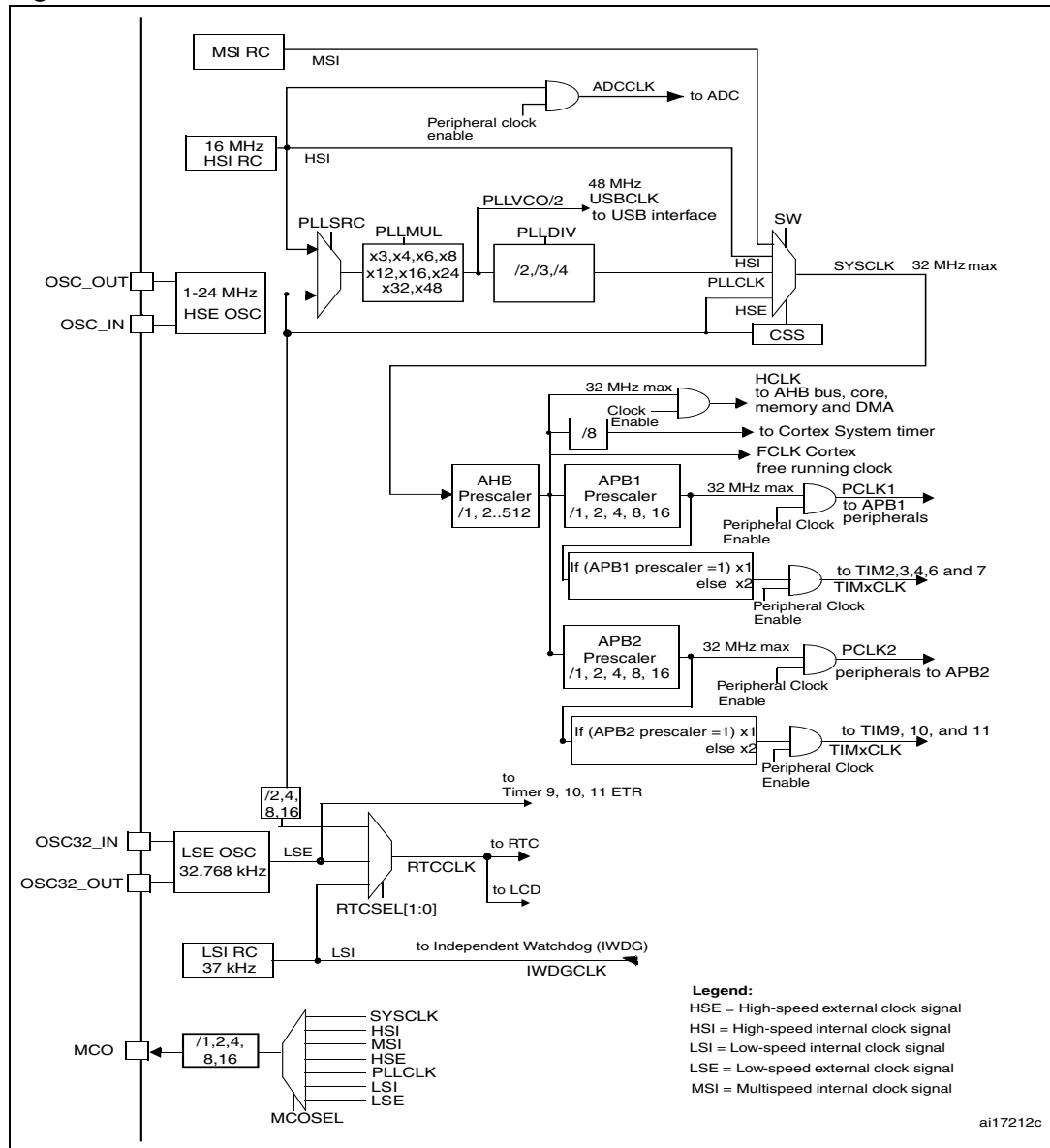
3.4 Clock management

The clock controller distributes the clocks coming from different oscillators to the core and the peripherals. It also manages clock gating for low power modes and ensures clock robustness. It features:

- **Clock prescaler:** to get the best tradeoff between speed and current consumption, the clock frequency to the CPU and peripherals can be adjusted by a programmable prescaler
- **Safe clock switching:** clock sources can be changed safely on the fly in run mode through a configuration register.
- **Clock management:** to reduce power consumption, the clock controller can stop the clock to the core, individual peripherals or memory.
- **Master clock source:** three different clock sources can be used to drive the master clock:
 - 1-24 MHz high-speed external crystal (HSE), that can supply a PLL
 - 16 MHz high-speed internal RC oscillator (HSI), trimmable by software, that can supply a PLL
 - Multispeed internal RC oscillator (MSI), trimmable by software, able to generate 7 frequencies (64 kHz, 128 kHz, 256 kHz, 512 kHz, 1.02 MHz, 2.05 MHz, 4.1 MHz) with a consumption proportional to speed, down to 750 nA typical. When a 32.768 kHz clock source is available in the system (LSE), the MSI frequency can be trimmed by software down to a $\pm 0.5\%$ accuracy.
- **Auxiliary clock source:** two ultralow power clock sources that can be used to drive the LCD controller and the real-time clock:
 - 32.768 kHz low-speed external crystal (LSE)
 - 37 kHz low-speed internal RC (LSI), also used to drive the independent watchdog. The LSI clock can be measured using the high-speed internal RC oscillator for greater precision.
- **RTC and LCD clock sources:** the LSI, LSE or HSE sources can be chosen to clock the RTC and the LCD, whatever the system clock.
- **USB clock source:** the embedded PLL has a dedicated 48 MHz clock output to supply the USB interface.
- **Startup clock:** after reset, the microcontroller restarts by default with an internal 2 MHz clock (MSI). The prescaler ratio and clock source can be changed by the application program as soon as the code execution starts.
- **Clock security system (CSS):** this feature can be enabled by software. If a HSE clock failure occurs, the master clock is automatically switched to HSI and a software interrupt is generated if enabled.
- **Clock-out capability (MCO: microcontroller clock output):** it outputs one of the internal clocks for external use by the application.

Several prescalers allow the configuration of the AHB frequency, the high-speed APB (APB2) and the low-speed APB (APB1) domains. The maximum frequency of the AHB and the APB domains is 32 MHz. See [Figure 2](#) for details on the clock tree.

Figure 2. Clock tree



2. For the USB function to be available, both HSE and PLL must be enabled, with the CPU running at either 24 MHz or 32 MHz.

3.5 Low power real-time clock and backup registers

The real-time clock (RTC) is an independent BCD timer/counter. Dedicated registers contain the second, minute, hour (12/24 hour), week day, date, month, year, in BCD (binary-coded decimal) format. Correction for 28, 29 (leap year), 30, and 31 day of the month are made

automatically. The RTC provides a programmable alarm and programmable periodic interrupts with wakeup from Stop and Standby modes.

- The programmable wakeup time ranges from 120 μ s to 36 hours
- Stop mode consumption with LSI and Auto-wakeup: 1.2 μ A (at 1.8 V) and 1.4 μ A (at 3.0 V)
- Stop mode consumption with LSE, calendar and Auto-wakeup: 1.3 μ A (at 1.8V), 1.6 μ A (at 3.0 V)

The RTC can be calibrated with an external 512 Hz output, and a digital compensation circuit helps reduce drift due to crystal deviation.

There are twenty 32-bit backup registers provided to store 80 bytes of user application data. They are cleared in case of tamper detection.

3.6 GPIOs (general-purpose inputs/outputs)

Each of the GPIO pins can be configured by software as output (push-pull or open-drain), as input (with or without pull-up or pull-down) or as peripheral alternate function. Most of the GPIO pins are shared with digital or analog alternate functions, and can be individually remapped using dedicated AFIO registers. All GPIOs are high-current-capable except for analog pins. The alternate function configuration of I/Os can be locked if needed following a specific sequence in order to avoid spurious writing to the I/O registers. The I/O controller is connected to the AHB with a toggling speed of up to 16 MHz.

External interrupt/event controller (EXTI)

The external interrupt/event controller consists of 23 edge detector lines used to generate interrupt/event requests. Each line can be individually configured to select the trigger event (rising edge, falling edge, both) and can be masked independently. A pending register maintains the status of the interrupt requests. The EXTI can detect an external line with a pulse width shorter than the Internal APB2 clock period. Up to 83 GPIOs can be connected to the 16 external interrupt lines.

3.7 Memories

The STM32L15xxx devices have the following features:

- Up to 16 Kbyte of embedded RAM accessed (read/write) at CPU clock speed with 0 wait states. With the enhanced bus matrix, operating the RAM does not lead to any performance penalty during accesses to the system bus (AHB and APB buses).
- The non-volatile memory is divided into three arrays:
 - 64 or 128 Kbyte of embedded Flash program memory
 - 4 Kbyte of data EEPROM
 - Options bytes

The options bytes are used to write-protect the memory (with 4 KB granularity) and/or readout-protect the whole memory with the following options:

- Level 0: no readout protection
- Level 1: memory readout protection, the Flash memory cannot be read from or written to if either debug features are connected or boot in RAM is selected
- Level 2: chip readout protection, debug features (Cortex-M3 JTAG and serial wire) and boot in RAM selection disabled (JTAG fuse)

The whole non-volatile memory embeds the error correction code (ECC) feature.

3.8 DMA (direct memory access)

The flexible 7-channel, general-purpose DMA is able to manage memory-to-memory, peripheral-to-memory and memory-to-peripheral transfers. The DMA controller supports circular buffer management, avoiding the generation of interrupts when the controller reaches the end of the buffer.

Each channel is connected to dedicated hardware DMA requests, with software trigger support for each channel. Configuration is done by software and transfer sizes between source and destination are independent.

The DMA can be used with the main peripherals: SPI, I²C, USART, general-purpose timers and ADC.

3.9 LCD (liquid crystal display)

The LCD drives up to 8 common terminals and 44 segment terminals to drive up to 320 pixels.

- Internal step-up converter to guarantee functionality and contrast control irrespective of V_{DD} . This converter can be deactivated, in which case the V_{LCD} pin is used to provide the voltage to the LCD
- Supports static, 1/2, 1/3, 1/4 and 1/8 duty
- Supports static, 1/2, 1/3 and 1/4 bias
- Phase inversion to reduce power consumption and EMI
- Up to 8 pixels can be programmed to blink
- Unneeded segments and common pins can be used as general I/O pins
- LCD RAM can be updated at any time owing to a double-buffer
- The LCD controller can operate in Stop mode

3.10 ADC (analog-to-digital converter)

A 12-bit analog-to-digital converters is embedded into STM32L15xxx devices with up to 24 external channels, performing conversions in single-shot or scan mode. In scan mode, automatic conversion is performed on a selected group of analog inputs.

The ADC can be served by the DMA controller.

An analog watchdog feature allows very precise monitoring of the converted voltage of one, some or all selected channels. An interrupt is generated when the converted voltage is outside the programmed thresholds.

The events generated by the general-purpose timers (TIMx) can be internally connected to the ADC start trigger and injection trigger, to allow the application to synchronize A/D conversions and timers.

The ADC includes a specific low power mode. The converter is able to operate at maximum speed even if the CPU is operating at a very low frequency and has an auto-shutdown function. The ADC's runtime and analog front-end current consumption are thus minimized whatever the MCU operating mode.

Temperature sensor

The temperature sensor has to generate a voltage that varies linearly with temperature. The conversion range is between $1.8\text{ V} < V_{\text{DDA}} < 3.6\text{ V}$. The temperature sensor is internally connected to the ADC_IN16 input channel.

3.11 DAC (digital-to-analog converter)

The two 12-bit buffered DAC channels can be used to convert two digital signals into two analog voltage signal outputs. The chosen design structure is composed of integrated resistor strings and an amplifier in non-inverting configuration.

This dual digital Interface supports the following features:

- two DAC converters: one for each output channel
- left or right data alignment in 12-bit mode
- synchronized update capability
- noise-wave generation
- triangular-wave generation
- dual DAC channels' independent or simultaneous conversions
- DMA capability for each channel (including the underrun interrupt)
- external triggers for conversion
- input reference voltage $V_{\text{REF+}}$

Eight DAC trigger inputs are used in the STM32L15xxx. The DAC channels are triggered through the timer update outputs that are also connected to different DMA channels.

3.12 Ultralow power comparators and reference voltage

The STM32L15xxx embeds two comparators sharing the same current bias and reference voltage. The reference voltage can be internal or external (coming from an I/O).

- one comparator with fixed threshold
- one comparator with rail-to-rail inputs, fast or slow mode. The threshold can be one of the following:
 - DAC output
 - External I/O
 - Internal reference voltage (V_{REFINT}) or V_{REFINT} submultiple (1/4, 1/2, 3/4)

Both comparators can wake up from Stop mode, and be combined into a window comparator.

The internal reference voltage is available externally via a low power / low current output buffer (driving current capability of 1 μ A typical).

3.13 Routing interface

This interface controls the internal routing of I/Os to TIM2, TIM3, TIM4 and to the comparator and reference voltage output.

3.14 Timers and watchdogs

The ultralow power STM32L15xxx devices include six general-purpose timers, two basic timers and two watchdog timers.

[Table 3](#) compares the features of the general-purpose and basic timers.

Table 3. Timer feature comparison

Timer	Counter resolution	Counter type	Prescaler factor	DMA request generation	Capture/compare channels	Complementary outputs
TIM2, TIM3, TIM4	16-bit	Up, down, up/down	Any integer between 1 and 65536	Yes	4	No
TIM9	16-bit	Up	Any integer between 1 and 65536	No	2	No
TIM10, TIM11	16-bit	Up	Any integer between 1 and 65536	No	1	No
TIM6, TIM7	16-bit	Up	Any integer between 1 and 65536	Yes	0	No

3.14.1 General-purpose timers (TIM2, TIM3, TIM4, TIM9, TIM10 and TIM11)

There are six synchronizable general-purpose timers embedded in the STM32L15xxx devices (see [Table 3](#) for differences).

TIM2, TIM3, TIM4

These timers are based on a 16-bit auto-reload up/downcounter and a 16-bit prescaler. They feature 4 independent channels each for input capture/output compare, PWM or one-pulse mode output. This gives up to 12 input captures/output compares/PWMs on the largest packages.

The TIM2, TIM3, TIM4 general-purpose timers can work together or with the TIM10, TIM11 and TIM9 general-purpose timers via the Timer Link feature for synchronization or event chaining. Their counter can be frozen in debug mode. Any of the general-purpose timers can be used to generate PWM outputs.

TIM2, TIM3, TIM4 all have independent DMA request generation.

These timers are capable of handling quadrature (incremental) encoder signals and the digital outputs from 1 to 3 hall-effect sensors.

TIM10, TIM11 and TIM9

These timers are based on a 16-bit auto-reload upcounter and a 16-bit prescaler. TIM10 and TIM11 feature one independent channel, whereas TIM9 has two independent channels for input capture/output compare, PWM or one-pulse mode output. They can be synchronized with the TIM2, TIM3, TIM4 full-featured general-purpose timers.

They can also be used as simple time bases and be clocked by the LSE clock source (32.768 kHz) to provide time bases independent from the main CPU clock.

3.14.2 Basic timers (TIM6 and TIM7)

These timers are mainly used for DAC trigger generation. They can also be used as generic 16-bit time bases.

3.14.3 SysTick timer

This timer is dedicated to the OS, but could also be used as a standard downcounter. It is based on a 24-bit downcounter with autoreload capability and a programmable clock source. It features a maskable system interrupt generation when the counter reaches 0.

3.14.4 Independent watchdog (IWDG)

The independent watchdog is based on a 12-bit downcounter and 8-bit prescaler. It is clocked from an independent 37 kHz internal RC and, as it operates independently of the main clock, it can operate in Stop and Standby modes. It can be used either as a watchdog to reset the device when a problem occurs, or as a free-running timer for application timeout management. It is hardware- or software-configurable through the option bytes. The counter can be frozen in debug mode.

3.14.5 Window watchdog (WWDG)

The window watchdog is based on a 7-bit downcounter that can be set as free-running. It can be used as a watchdog to reset the device when a problem occurs. It is clocked from the main clock. It has an early warning interrupt capability and the counter can be frozen in debug mode.

3.15 Communication interfaces

3.15.1 I²C bus

Up to two I²C bus interfaces can operate in multimaster and slave modes. They can support standard and fast modes.

They support dual slave addressing (7-bit only) and both 7- and 10-bit addressing in master mode. A hardware CRC generation/verification is embedded.

They can be served by DMA and they support SM Bus 2.0/PM Bus.

3.15.2 Universal synchronous/asynchronous receiver transmitter (USART)

All USART interfaces are able to communicate at speeds of up to 4 Mbit/s. They provide hardware management of the CTS and RTS signals. They support IrDA SIR ENDEC, are ISO 7816 compliant and have LIN Master/Slave capability.

All USART interfaces can be served by the DMA controller.

3.15.3 Serial peripheral interface (SPI)

Up to two SPIs are able to communicate at up to 16 Mbits/s in slave and master modes in full-duplex and simplex communication modes. The 3-bit prescaler gives 8 master mode frequencies and the frame is configurable to 8 bits or 16 bits. The hardware CRC generation/verification supports basic SD Card/MMC modes.

Both SPIs can be served by the DMA controller.

3.15.4 Universal serial bus (USB)

The STM32L15xxx embeds a USB device peripheral compatible with the USB full-speed 12 Mbit/s. The USB interface implements a full-speed (12 Mbit/s) function interface. It has software-configurable endpoint setting and supports suspend/resume. The dedicated 48 MHz clock is generated from the internal main PLL (the clock source must use a HSE crystal oscillator).

3.16 CRC (cyclic redundancy check) calculation unit

The CRC (cyclic redundancy check) calculation unit is used to get a CRC code from a 32-bit data word and a fixed generator polynomial.

Among other applications, CRC-based techniques are used to verify data transmission or storage integrity. In the scope of the EN/IEC 60335-1 standard, they offer a means of verifying the Flash memory integrity. The CRC calculation unit helps compute a signature of the software during runtime, to be compared with a reference signature generated at link-time and stored at a given memory location.

3.17 Development support

Serial wire JTAG debug port (SWJ-DP)

The ARM SWJ-DP interface is embedded, and is a combined JTAG and serial wire debug port that enables either a serial wire debug or a JTAG probe to be connected to the target. The JTAG TMS and TCK pins are shared with SWDIO and SWCLK, respectively, and a specific sequence on the TMS pin is used to switch between JTAG-DP and SW-DP.

The JTAG port can be permanently disabled with a JTAG fuse.

Embedded Trace Macrocell™

The ARM® Embedded Trace Macrocell provides a greater visibility of the instruction and data flow inside the CPU core by streaming compressed data at a very high rate from the STM32L15xxx through a small number of ETM pins to an external hardware trace port analyzer (TPA) device. The TPA is connected to a host computer using USB, Ethernet, or any other high-speed channel. Real-time instruction and data flow activity can be recorded and then formatted for display on the host computer running debugger software. TPA hardware is commercially available from common development tool vendors. It operates with third party debugger software tools.

4 Pin descriptions

Figure 3. STM32L15xxx UFBGA100 ballout

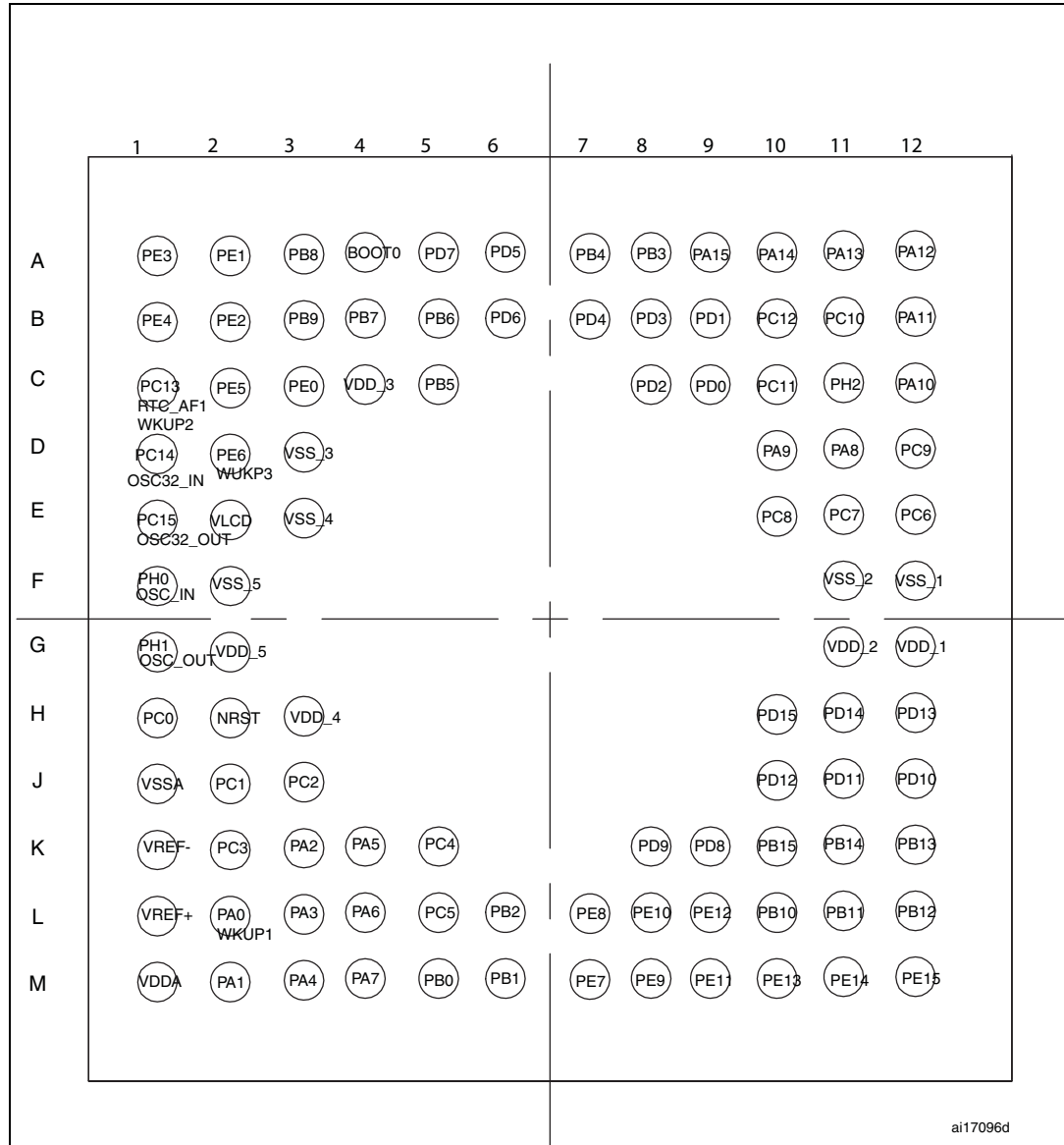


Figure 4. STM32L15xxx TFBGA64 ballout

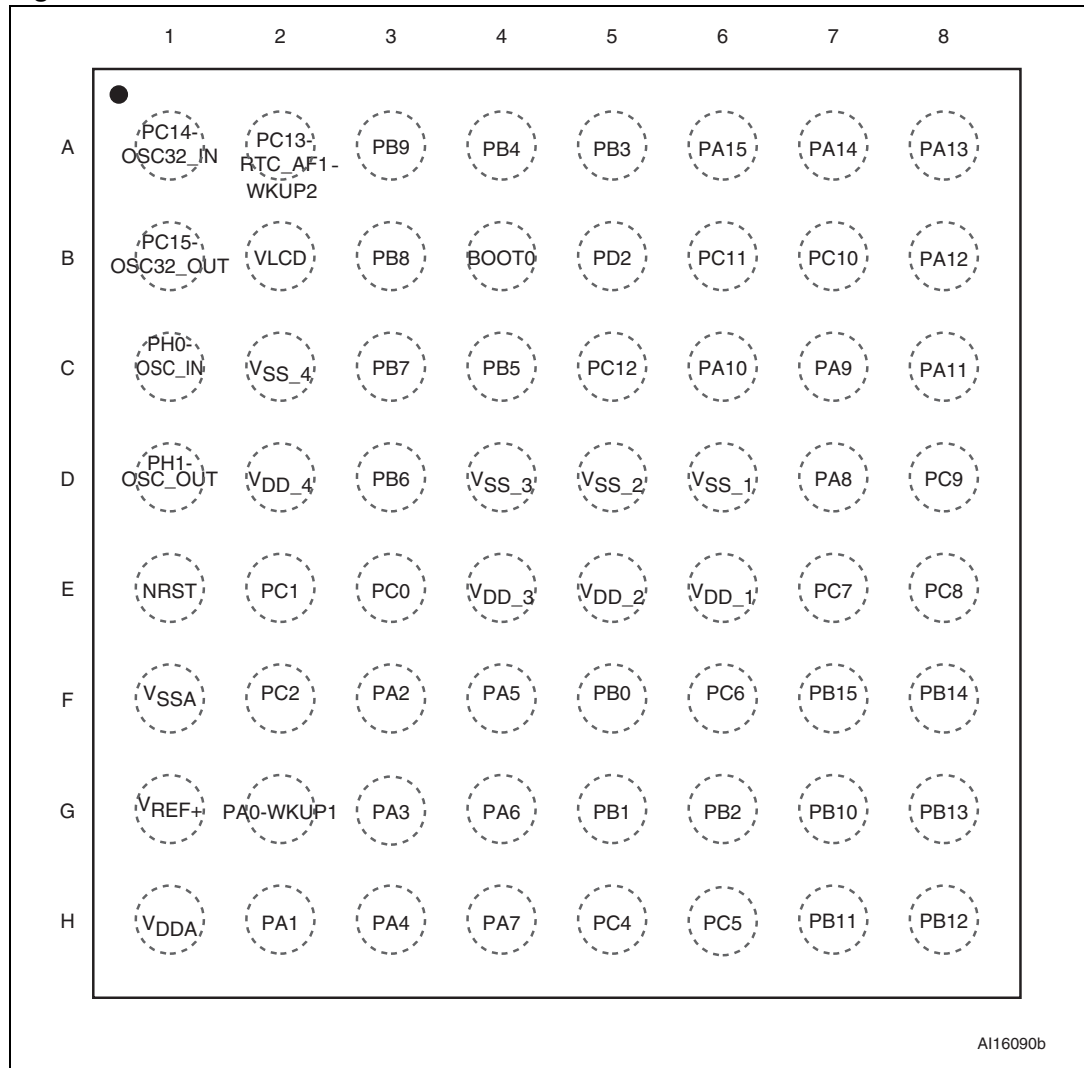


Figure 5. STM32L15xxx LQFP100 pinout

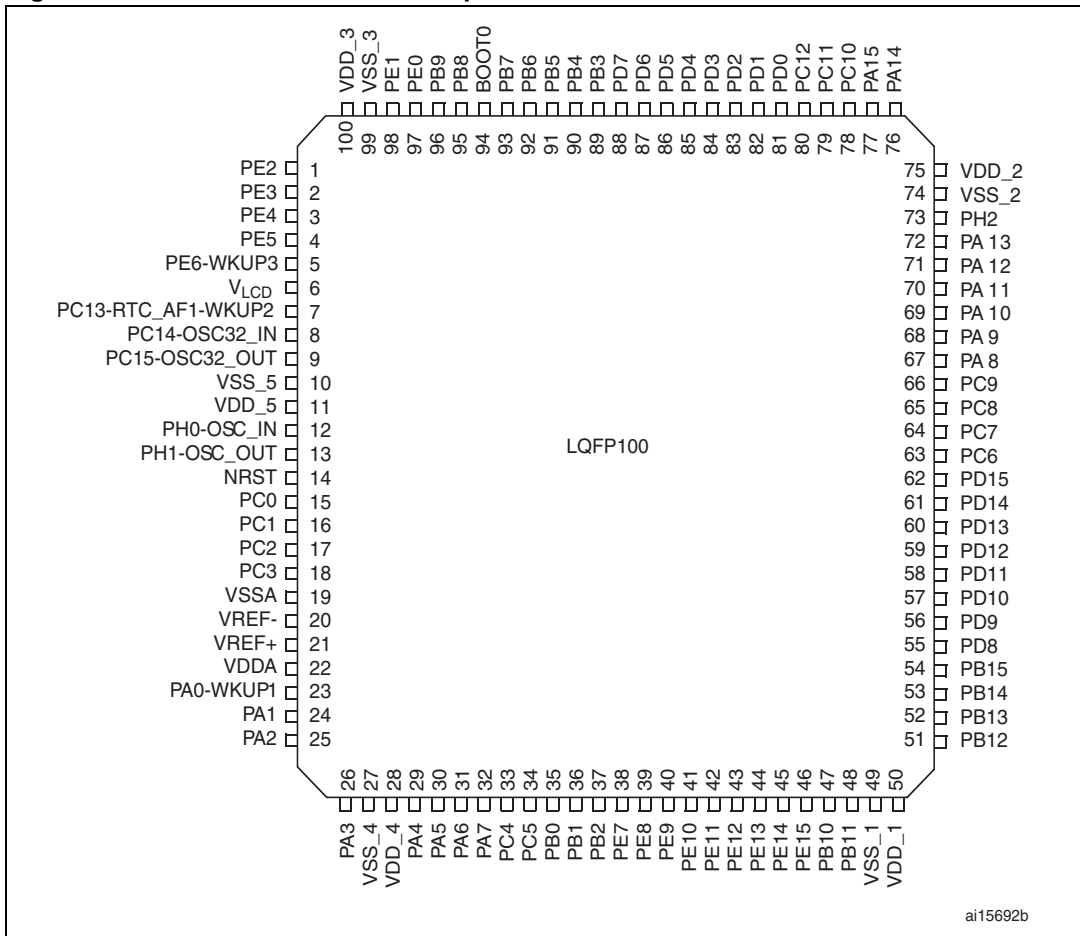


Figure 6. STM32L15xxx LQFP64 pinout

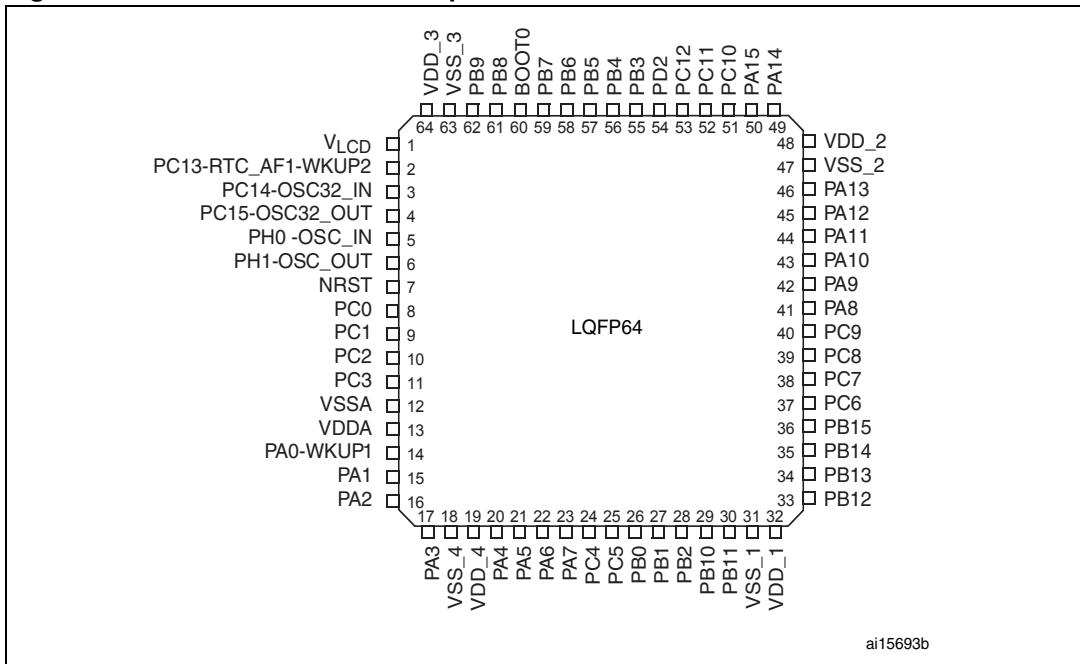


Figure 7. STM32L15xxx LQFP48 pinout

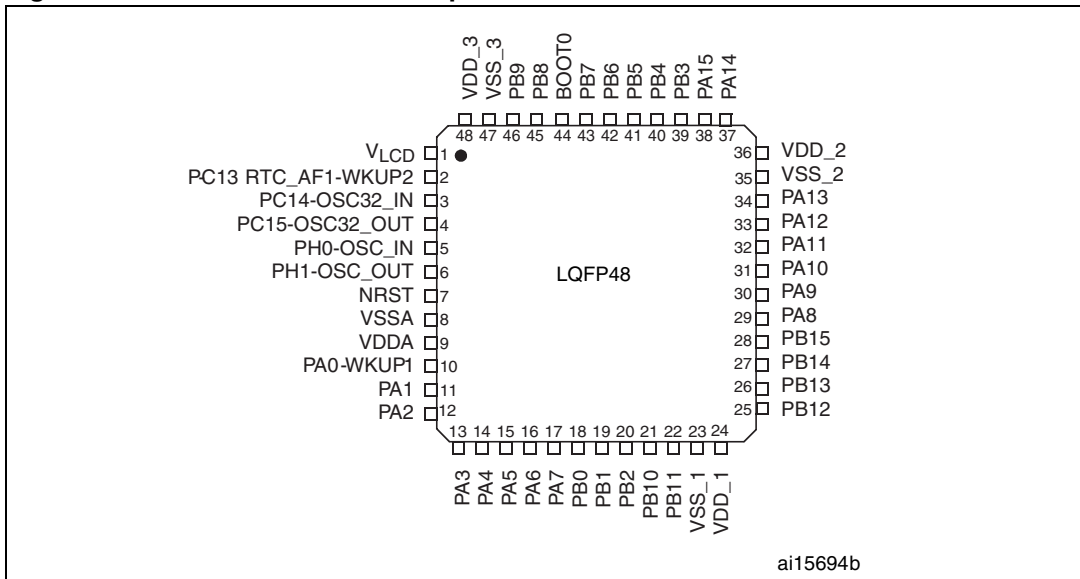


Figure 8. STM32L15xxx VFQFPN48 pinout

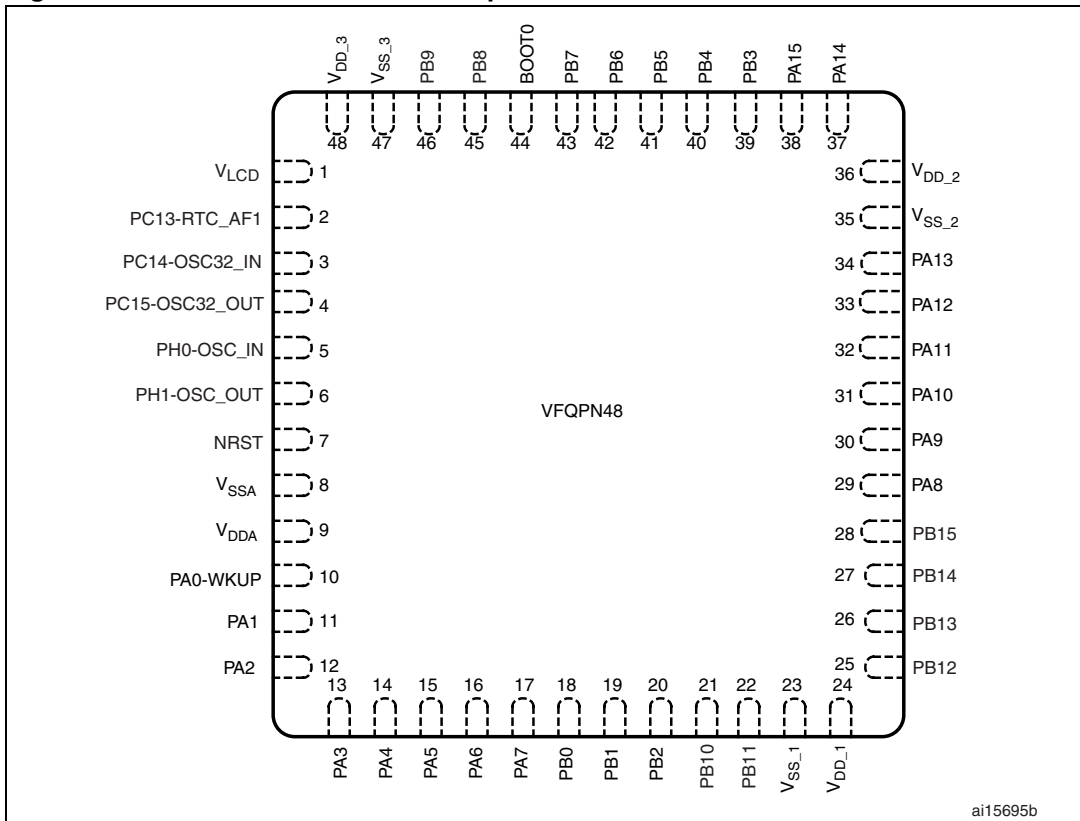


Table 4. STM32L15xxx pin definitions

Pins					Pin name	Type ⁽¹⁾	I/O Level ⁽²⁾	Main function ⁽³⁾ (after reset)	Alternate functions
LQFP100	LQFP64	TFBGA64	UFBGA100	LQFP48 or UFBGA48					
1	-		B2	-	PE2	I/O	FT	PE2	TRACECK/LCD_SEG38/TIM3_ETR
2	-		A1	-	PE3	I/O	FT	PE3	TRACED0/LCD_SEG39/TIM3_CH1
3	-		B1	-	PE4	I/O	FT	PE4	TRACED1/TIM3_CH2
4	-		C2	-	PE5	I/O	FT	PE5	TRACED2/TIM9_CH1
5	-		D2	-	PE6	I/O	FT	PE6	TRACED3/WKUP3/TIM9_CH2
6	1	B2	E2	1	V _{LCD} ⁽⁴⁾	S		V _{LCD}	
7	2	A2	C1	2	PC13- RTC_AF1	I/O	FT	PC13	RTC_AF1/WKUP2
8	3	A1	D1	3	PC14- OSC32_IN ⁽⁵⁾	I/O		PC14	OSC32_IN
9	4	B1	E1	4	PC15- OSC32_OUT ⁽⁵⁾	I/O		PC15	OSC32_OUT
10	-	-	F2	-	V _{SS_5}	S		V _{SS_5}	
11	-	-	G2	-	V _{DD_5}	S		V _{DD_5}	
12	5	C1	F1	5	PH0- OSC_IN ⁽⁶⁾	I		PH0	OSC_IN
13	6	D1	G1	6	PH1- OSC_OUT	O		PH1	OSC_OUT
14	7	E1	H2	7	NRST	I/O		NRST	
15	8	E3	H1	-	PC0	I/O	FT	PC0	ADC_IN10/LCD_SEG18/ COMP1_INP
16	9	E2	J2	-	PC1	I/O	FT	PC1	ADC_IN11/LCD_SEG19/ COMP1_INP
17	10	F2	J3	-	PC2	I/O	FT	PC2	ADC_IN12/LCD_SEG20/ COMP1_INP
18	11	⁽⁷⁾	K2	-	PC3	I/O		PC3	ADC_IN13/LCD_SEG21/ COMP1_INP
19	12	F1	J1	8	V _{SSA}	S		V _{SSA}	
20	-	-	K1	-	V _{REF-}	S		V _{REF-}	
21	-	G1 ⁽⁷⁾	L1	-	V _{REF+}	S		V _{REF+}	
22	13	H1	M1	9	V _{DDA}	S		V _{DDA}	
23	14	G2	L2	10	PA0-WKUP1	I/O	FT	PA0	WKUP1/USART2_CTS/ADC_IN0/TIM2_CH1_ETR/ COMP1_INP

Table 4. STM32L15xxx pin definitions (continued)

Pins					Pin name	Type ⁽¹⁾	I/O Level ⁽²⁾	Main function ⁽³⁾ (after reset)	Alternate functions
LQFP100	LQFP64	TFBGA64	UFBGA100	LQFP48 or UQFPN48					
24	15	H2	M2	11	PA1	I/O	FT	PA1	USART2_RTS/ADC_IN1/ TIM2_CH2/LCD_SEG0/ COMP1_INP
25	16	F3	K3	12	PA2	I/O	FT	PA2	USART2_TX/ADC_IN2/ TIM2_CH3/TIM9_CH1/ LCD_SEG1/COMP1_INP
26	17	G3	L3	13	PA3	I/O		PA3	USART2_RX/ADC_IN3/TIM2_CH4/TIM9_CH2/ LCD_SEG2/COMP1_INP
27	18	C2	E3	-	V _{SS_4}	S		V _{SS_4}	
28	19	D2	H3	-	V _{DD_4}	S		V _{DD_4}	
29	20	H3	M3	14	PA4	I/O		PA4	SPI1_NSS/ USART2_CK/ ADC_IN4/DAC_OUT1/COMP1_INP
30	21	F4	K4	15	PA5	I/O		PA5	SPI1_SCK/ADC_IN5/ DAC_OUT2/TIM2_CH1_ETR/COMP1_INP
31	22	G4	L4	16	PA6	I/O	FT	PA6	SPI1_MISO/ADC_IN6/TIM3_CH1/TIM1_BKIN/ LCD_SEG3/TIM10_CH1/ COMP1_INP
32	23	H4	M4	17	PA7	I/O	FT	PA7	SPI1_MOSI/ADC_IN7/TIM3_CH2/TIM1_CH1N/ LCD_SEG4/TIM11_CH1/COMP1_INP
33	24	H5	K5	-	PC4	I/O	FT	PC4	ADC_IN14/LCD_SEG22/COMP1_INP
34	25	H6	L5	-	PC5	I/O	FT	PC5	ADC_IN15/LCD_SEG23/COMP1_INP
35	26	F5	M5	18	PB0	I/O		PB0	ADC_IN8/TIM3_CH3/LCD_SEG5/ COMP1_INP/VREF_OUT
36	27	G5	M6	19	PB1	I/O	FT	PB1	ADC_IN9/TIM3_CH4/LCD_SEG6/ COMP1_INP/VREF_OUT
37	28	G6	L6	20	PB2	I/O	FT	PB2/BOOT1	
38	-	-	M7	-	PE7	I/O		PE7	ADC_IN22/COMP1_INP
39	-	-	L7	-	PE8	I/O		PE8	ADC_IN23/COMP1_INP
40	-	-	M8	-	PE9	I/O		PE9	ADC_IN24/TIM2_CH1_ETR/COMP1_INP
41	-	-	L8	-	PE10	I/O		PE10	ADC_IN25/TIM2_CH2/COMP1_INP
42	-	-	M9	-	PE11	I/O	FT	PE11	TIM2_CH3
43	-	-	L9	-	PE12	I/O	FT	PE12	TIM2_CH4/SPI1_NSS
44	-	-	M10	-	PE13	I/O	FT	PE13	SPI1_SCK
45	-	-	M11	-	PE14	I/O	FT	PE14	SPI1_MISO
46	-	-	M12	-	PE15	I/O	FT	PE15	SPI1_MOSI

Table 4. STM32L15xxx pin definitions (continued)

Pins					Pin name	Type ⁽¹⁾	I/O Level ⁽²⁾	Main function ⁽³⁾ (after reset)	Alternate functions
LQFP100	LQFP64	TFBGA64	UFBGA100	LQFP48 or UQFPN48					
47	29	G7	L10	21	PB10	I/O	FT	PB10	I2C2_SCL/USART3_TX/TIM2_CH3/LCD_SEG10
48	30	H7	L11	22	PB11	I/O	FT	PB11	I2C2_SDA/ USART3_RX/TIM2_CH4/LCD_SEG11
49	31	D6	F12	23	V _{SS_1}	S		V _{SS_1}	
50	32	E6	G12	24	V _{DD_1}	S		V _{DD_1}	
51	33	H8	L12	25	PB12	I/O	FT	PB12	SPI2_NSS/I2C2_SMBA/USART3_CK/LCD_SEG12/ ADC_IN18/COMP1_INP/TIM10_CH1
52	34	G8	K12	26	PB13	I/O	FT	PB13	SPI2_SCK/USART3_CTS/LCD_SEG13/ADC_IN19/ COMP1_INP/TIM9_CH1
53	35	F8	K11	27	PB14	I/O	FT	PB14	SPI2_MISO/ USART3_RTS/LCD_SEG14/ADC_IN20/ COMP1_INP/TIM9_CH2
54	36	F7	K10	28	PB15	I/O	FT	PB15	SPI2_MOSI/TIM1_CH3N/LCD_SEG15/ADC_IN21/ COMP1_INP/TIM11_CH1/RTC_50_60Hz
55	-	-	K9	-	PD8	I/O	FT	PD8	USART3_TX/LCD_SEG28
56	-	-	K8	-	PD9	I/O	FT	PD9	USART3_RX/LCD_SEG29
57	-	-	J12	-	PD10	I/O	FT	PD10	USART3_CK/LCD_SEG30
58	-	-	J11	-	PD11	I/O	FT	PD11	USART3_CTS/LCD_SEG31
59	-	-	J10	-	PD12	I/O	FT	PD12	TIM4_CH1 / USART3_RTS/ LCD_SEG32
60	-	-	H12	-	PD13	I/O	FT	PD13	TIM4_CH2/LCD_SEG33
61	-	-	H11	-	PD14	I/O	FT	PD14	TIM4_CH3/LCD_SEG34
62	-	-	H10	-	PD15	I/O	FT	PD15	TIM4_CH4/LCD_SEG35
63	37	F6	E12	-	PC6	I/O	FT	PC6	TIM3_CH1/LCD_SEG24
64	38	E7	E11		PC7	I/O	FT	PC7	TIM3_CH2/LCD_SEG25
65	39	E8	E10		PC8	I/O	FT	PC8	TIM3_CH3/LCD_SEG26
66	40	D8	D12	-	PC9	I/O	FT	PC9	TIM3_CH4/LCD_SEG27
67	41	D7	D11	29	PA8	I/O	FT	PA8	USART1_CK/MCO/LCD_COM0
68	42	C7	D10	30	PA9	I/O	FT	PA9	USART1_TX / LCD_COM1
69	43	C6	C12	31	PA10	I/O	FT	PA10	USART1_RX / LCD_COM2
70	44	C8	B12	32	PA11	I/O	FT	PA11	USART1_CTS/ USBDM/SPI1_MISO
71	45	B8	A12	33	PA12	I/O	FT	PA12	USART1_RTS/USBDM/SPI1_MOSI
72	46	A8	A11	34	PA13	I/O	FT	JTMS/SWDIO	PA13

Table 4. STM32L15xxx pin definitions (continued)

Pins					Pin name	Type ⁽¹⁾	I/O Level ⁽²⁾	Main function ⁽³⁾ (after reset)	Alternate functions
LQFP100	LQFP64	TFBGA64	UFBGA100	LQFP48 or UQFPN48					
73	-	-	C11	-	PH2	I/O	FT	PH2	I2C2_SMBA
74	47	D5	F11	35	V _{SS_2}	S		V _{SS_2}	
75	48	E5	G11	36	V _{DD_2}	S		V _{DD_2}	
76	49	A7	A10	37	PA14	I/O	FT	JTCK/SWCLK	PA14
77	50	A6	A9	38	PA15	I/O	FT	JTDI	TIM2_CH1_ETR/ PA15/SPI1_NSS/LCD_SEG17
78	51	B7	B11	-	PC10	I/O	FT	PC10	USART3_TX/LCD_SEG28/LCD_SEG40/ LCD_COM4
79	52	B6	C10	-	PC11	I/O	FT	PC11	USART3_RX/LCD_SEG29/LCD_SEG41/LCD_COM5
80	53	C5	B10	-	PC12	I/O	FT	PC12	USART3_CK/LCD_SEG30/LCD_SEG42/LCD_COM6
81	-	-	C9	-	PD0	I/O	FT	PD0	SPI2_NSS/TIM9_CH1
82	-	-	B9	-	PD1	I/O	FT	PD1	SPI2_SCK
83	54	B5	C8	-	PD2	I/O	FT	PD2	TIM3_ETR/LCD_SEG31/LCD_SEG43/LCD_COM7
84	-	-	B8	-	PD3	I/O	FT	PD3	USART2_CTS/SPI2_MISO
85	-	-	B7	-	PD4	I/O	FT	PD4	USART2_RTS/SPI2_MOSI
86	-	-	A6	-	PD5	I/O	FT	PD5	USART2_TX
87	-	-	B6	-	PD6	I/O	FT	PD6	USART2_RX
88	-	-	A5	-	PD7	I/O	FT	PD7	USART2_CK/TIM9_CH2
89	55	A5	A8	39	PB3	I/O	FT	JTDO	TIM2_CH2 / PB3/TRACESWO SPI1_SCK/COMP2_INM/LCD_SEG7
90	56	A4	A7	40	PB4	I/O	FT	JNTRST	TIM3_CH1/ PB4/ SPI1_MISO/COMP2_INP/LCD_SEG8
91	57	C4	C5	41	PB5	I/O	FT	PB5	I2C1_SMBAI/TIM3_CH2 /SPI1_MOSI/COMP2_INP/LCD_SEG9
92	58	D3	B5	42	PB6	I/O	FT	PB6	I2C1_SCL/TIM4_CH1/ USART1_TX
93	59	C3	B4	43	PB7	I/O	FT	PB7	I2C1_SDA/TIM4_CH2/ USART1_RX/PVD_IN
94	60	B4	A4	44	BOOT0	I		BOOT0	
95	61	B3	A3	45	PB8	I/O	FT	PB8	TIM4_CH3/I2C1_SCL / LCD_SEG16/TIM10_CH1
96	62	A3	B3	46	PB9	I/O	FT	PB9	TIM4_CH4/I2C1_SDA/LCD_COM3 / TIM11_CH1
97	-	-	C3	-	PE0	I/O	FT	PE0	TIM4_ETR/LCD_SEG36 /TIM10_CH1

Table 4. STM32L15xxx pin definitions (continued)

Pins					Pin name	Type ⁽¹⁾	I/O Level ⁽²⁾	Main function ⁽³⁾ (after reset)	Alternate functions
LQFP100	LQFP64	TFBGA64	UFBGA100	LQFP48 or UQFPN48					
98	-	-	A2	-	PE1	I/O	FT	PE1	LCD_SEG37/TIM11_CH1
99	63	D4	D3	47	V _{SS_3}	S		V _{SS_3}	
100	64	E4	C4	48	V _{DD_3}	S		V _{DD_3}	

1. I = input, O = output, S = supply.
2. FT = 5 V tolerant.
3. Function availability depends on the chosen device. For devices having reduced peripheral counts, it is always the lower number of peripheral that is included. For example, if a device has only one SPI and two USARTs, they will be called SPI1 and USART1 & USART2, respectively. Refer to [Table 2 on page 10](#).
4. Applicable to STM32L152xx devices only. In STM32L151xx devices, this pin should be connected to V_{DD}.
5. The PC14 and PC15 I/Os are only configured as OSC32_IN/OSC32_OUT when the LSE oscillator is on (by setting the LSEON bit in the RCC_CSR register). The LSE oscillator pins OSC32_IN/OSC32_OUT can be used as general-purpose PH0/PH1 I/Os, respectively, when the LSE oscillator is off (after reset, the LSE oscillator is off). The LSE has priority over the GPIO function. For more details, refer to Using the OSC32_IN/OSC32_OUT pins as GPIO PC14/PC15 port pins section in the STM32L15xxx reference manual (RM0038).
6. The PH0 and PH1 I/Os are only configured as OSC_IN/OSC_OUT when the HSE oscillator is on (by setting the HSEON bit in the RCC_CR register). The HSE oscillator pins OSC_IN/OSC_OUT can be used as general-purpose PH0/PH1 I/Os, respectively, when the HSE oscillator is off (after reset, the HSE oscillator is off). The HSE has priority over the GPIO function.
7. Unlike in the LQFP64 package, there is no PC3 in the TFBGA64 package. The V_{REF+} functionality is provided instead.



Table 5. Alternate function input/output

Port name	Digital alternate function number															
	AFIO0	AFIO1	AFIO2	AFIO3	AFIO4	AFIO5	AFIO6	AFIO7	AFIO8	AFIO9	AFIO10	AFIO11	AFIO12	AFIO13	AFIO14	AFIO15
	Alternate function															
	SYSTEM	TIM2	TIM3/4	TIM9/10/11	I2C1/2	SPI1/2	N/A	USART 1/2/3	N/A	N/A	USBFS	LCD	N/A	N/A	RI	SYSTEM
BOOT0	BOOT0															
NRST	NRST															
PA0-WKUP1	WKUP1	TIM2_CH1_ETR						USART2_CTS							TIMx_IC1	EVENTOUT
PA1		TIM2_CH2						USART2_RTS				[SEG0]			TIMx_IC2	EVENTOUT
PA2		TIM2_CH3		TIM9_CH1				USART2_TX				[SEG1]			TIMx_IC3	EVENTOUT
PA3		TIM2_CH4		TIM9_CH2				USART2_RX				[SEG2]			TIMx_IC4	EVENTOUT
PA4						SPI1_NSS		USART2_CK							TIMx_IC1	EVENTOUT
PA5		TIM2_CH1_ETR				SPI1_SCK									TIMx_IC2	EVENTOUT
PA6			TIM3_CH1	TIM10_CH1		SPI1_MISO						[SEG3]			TIMx_IC3	EVENTOUT
PA7			TIM3_CH2	TIM11_CH1		SPI1_MOSI						[SEG4]			TIMx_IC4	EVENTOUT
PA8	MCO							USART1_CK				[COM0]			TIMx_IC1	EVENTOUT
PA9								USART1_TX				[COM1]			TIMx_IC2	EVENTOUT
PA10								USART1_RX				[COM2]			TIMx_IC3	EVENTOUT
PA11						SPI1_MISO		USART1_CTS			DM				TIMx_IC4	EVENTOUT
PA12						SPI1_MOSI		USART1_RTS			DP				TIMx_IC1	EVENTOUT
PA13	JTMS-SWDAT														TIMx_IC2	EVENTOUT
PA14	JTCK-SWCLK														TIMx_IC3	EVENTOUT



Table 5. Alternate function input/output (continued)

Port name	Digital alternate function number															
	AFIO0	AFIO1	AFIO2	AFIO3	AFIO4	AFIO5	AFOI6	AFIO7	AFIO8	AFIO9	AFIO10	AFIO11	AFIO12	AFIO13	AFIO14	AFIO15
	Alternate function															
	SYSTEM	TIM2	TIM3/4	TIM9/10/11	I2C1/2	SPI1/2	N/A	USART 1/2/3	N/A	N/A	USBFS	LCD	N/A	N/A	RI	SYSTEM
PA15	JTDI	TIM2_CH1_ETR				SPI1_NSS						SEG17			TIMx_IC4	EVENTOUT
PB0			TIM3_CH3									[SEG5]				EVENTOUT
PB1			TIM3_CH4									[SEG6]				EVENTOUT
PB2	BOOT1															EVENTOUT
PB3	JTDO	TIM2_CH2				SPI1_SCK						[SEG7]				EVENTOUT
PB4	JTRST		TIM3_CH1			SPI1_MISO						[SEG8]				EVENTOUT
PB5			TIM3_CH2		I2C1_SMB AI	SPI1_MOSI						[SEG9]				EVENTOUT
PB6			TIM4_CH1		I2C1_SCL		USART1_TX									EVENTOUT
PB7			TIM4_CH2		I2C1_SDA		USART1_RX									EVENTOUT
PB8			TIM4_CH3	TIM10_CH1*	I2C1_SCL							SEG16				EVENTOUT
PB9			TIM4_CH4	TIM11_CH1*	I2C1_SDA							[COM3]				EVENTOUT
PB10		TIM2_CH3			I2C2_SCL		USART3_TX					SEG10				EVENTOUT
PB11		TIM2_CH4			I2C2_SDA		USART3_RX					SEG11				EVENTOUT
PB12				TIM10_CH1	I2C2_SMB AI	SPI2_NSS	USART3_CK					SEG12				EVENTOUT
PB13				TIM9_CH1		SPI2_SCK	USART3_CTS					SEG13				EVENTOUT
PB14				TIM9_CH2		SPI2_MISO	USART3_RTS					SEG14				EVENTOUT
PB15	RTC 50/60 Hz			TIM11_CH1		SPI2_MOSI						SEG15				EVENTOUT
PC0												SEG18			TIMx_IC1	EVENTOUT

Table 5. Alternate function input/output (continued)

Port name	Digital alternate function number															
	AFIO0	AFIO1	AFIO2	AFIO3	AFIO4	AFIO5	AFOI6	AFIO7	AFIO8	AFIO9	AFIO10	AFIO11	AFIO12	AFIO13	AFIO14	AFIO15
	Alternate function															
	SYSTEM	TIM2	TIM3/4	TIM9/10/11	I2C1/2	SPI1/2	N/A	USART 1/2/3	N/A	N/A	USBFS	LCD	N/A	N/A	RI	SYSTEM
PC1											SEG19			TIMx_IC2	EVENTOUT	
PC2											SEG20			TIMx_IC3	EVENTOUT	
PC3											SEG21			TIMx_IC4	EVENTOUT	
PC4											SEG22			TIMx_IC1	EVENTOUT	
PC5											SEG23			TIMx_IC2	EVENTOUT	
PC6			TIM3_CH1								SEG24			TIMx_IC3	EVENTOUT	
PC7			TIM3_CH2								SEG25			TIMx_IC4	EVENTOUT	
PC8			TIM3_CH3								SEG26			TIMx_IC1	EVENTOUT	
PC9			TIM3_CH4								SEG27			TIMx_IC2	EVENTOUT	
PC10							USART3_TX				COM4 / SEG28 / SEG40			TIMx_IC3	EVENTOUT	
PC11							USART3_RX				COM5 / SEG29 / SEG41			TIMx_IC4	EVENTOUT	
PC12							USART3_CK				COM6 / SEG30 / SEG42			TIMx_IC1	EVENTOUT	
PC13- RTC_AF1	RTC_AF1 / WKUP2													TIMx_IC2	EVENTOUT	
PC14- OSC32_IN	OSC32_IN													TIMx_IC3	EVENTOUT	
PC15- OSC32_OUT	OSC32_OUT													TIMx_IC4	EVENTOUT	
PD0			TIM9_CH1			SPI2_NSS								TIMx_IC1	EVENTOUT	
PD1						SPI2_SCK								TIMx_IC2	EVENTOUT	



Table 5. Alternate function input/output (continued)

Port name	Digital alternate function number															
	AFIO0	AFIO1	AFIO2	AFIO3	AFIO4	AFIO5	AFOI6	AFIO7	AFIO8	AFIO9	AFIO10	AFIO11	AFIO12	AFIO13	AFIO14	AFIO15
	Alternate function															
	SYSTEM	TIM2	TIM3/4	TIM9/10/11	I2C1/2	SPI1/2	N/A	USART 1/2/3	N/A	N/A	USBFS	LCD	N/A	N/A	RI	SYSTEM
PD2			TIM3_ETR									COM7 / SEG31 / SEG43			TIMx_IC3	EVENTOUT
PD3						SPI2_MISO		USART2_CTS							TIMx_IC4	EVENTOUT
PD4						SPI2_MOSI		USART2_RTS							TIMx_IC1	EVENTOUT
PD5								USART2_TX							TIMx_IC2	EVENTOUT
PD6								USART2_RX							TIMx_IC3	EVENTOUT
PD7				TIM9_CH2				USART2_CK							TIMx_IC4	EVENTOUT
PD8								USART3_TX				SEG28			TIMx_IC1	EVENTOUT
PD9								USART3_RX				SEG29			TIMx_IC2	EVENTOUT
PD10								USART3_CK				SEG30			TIMx_IC3	EVENTOUT
PD11								USART3_CTS				SEG31			TIMx_IC4	EVENTOUT
PD12			TIM4_CH1					USART3_RTS				SEG32			TIMx_IC1	EVENTOUT
PD13			TIM4_CH2									SEG33			TIMx_IC2	EVENTOUT
PD14			TIM4_CH3									SEG34			TIMx_IC3	EVENTOUT
PD15			TIM4_CH4									SEG35			TIMx_IC4	EVENTOUT
PE0			TIM4_ETR	TIM10_CH1								SEG36			TIMx_IC1	EVENTOUT
PE1				TIM11_CH1								SEG37			TIMx_IC2	EVENTOUT
PE2	TRACECK		TIM3_ETR									SEG 38			TIMx_IC3	EVENTOUT
PE3	TRACED0		TIM3_CH1									SEG 39			TIMx_IC4	EVENTOUT



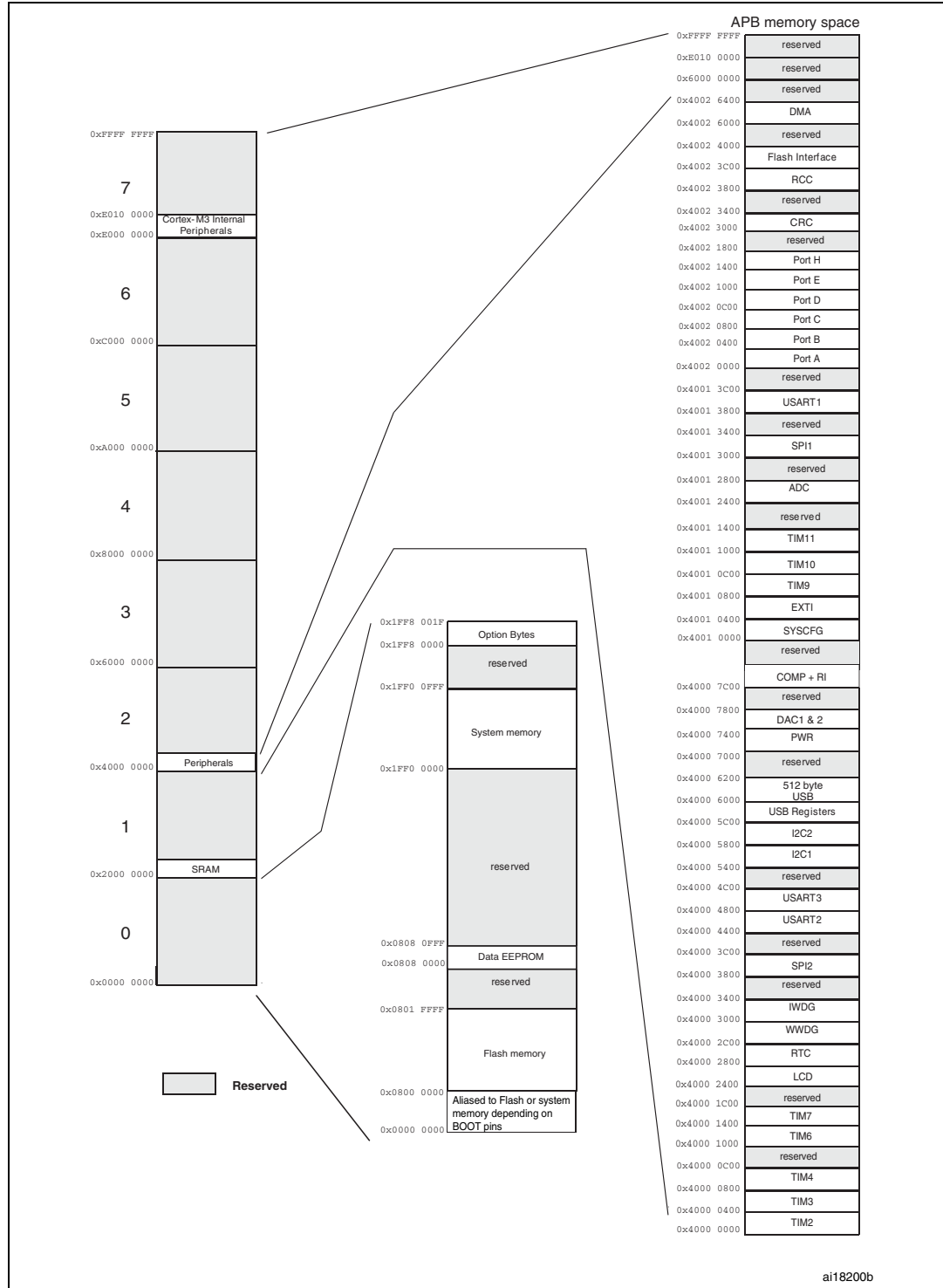
Table 5. Alternate function input/output (continued)

Port name	Digital alternate function number															
	AFIO0	AFIO1	AFIO2	AFIO3	AFIO4	AFIO5	AFIO6	AFIO7	AFIO8	AFIO9	AFIO10	AFIO11	AFIO12	AFIO13	AFIO14	AFIO15
	Alternate function															
	SYSTEM	TIM2	TIM3/4	TIM9/10/11	I2C1/2	SPI1/2	N/A	USART 1/2/3	N/A	N/A	USBFS	LCD	N/A	N/A	RI	SYSTEM
PE4	TRACED1		TIM3_CH2												TIMx_IC1	EVENTOUT
PE5	TRACED2			TIM9_CH1*											TIMx_IC2	EVENTOUT
PE6	TRACED3 / WKUP3			TIM9_CH2*											TIMx_IC3	EVENTOUT
PE7															TIMx_IC4	EVENTOUT
PE8															TIMx_IC1	EVENTOUT
PE9		TIM2_CH1_ETR													TIMx_IC2	EVENTOUT
PE10		TIM2_CH2													TIMx_IC3	EVENTOUT
PE11		TIM2_CH3													TIMx_IC4	EVENTOUT
PE12		TIM2_CH4				SPI1_NSS									TIMx_IC1	EVENTOUT
PE13						SPI1_SCK									TIMx_IC2	EVENTOUT
PE14						SPI1_MISO									TIMx_IC3	EVENTOUT
PE15						SPI1_MOSI									TIMx_IC4	EVENTOUT
PH0-OSC_IN	OSC_IN															
PH1-OSC_OUT	OSC_OUT															
PH2																EVENTOUT

5 Memory mapping

The memory map is shown in the following figure.

Figure 9. Memory map



6 Electrical characteristics

6.1 Parameter conditions

Unless otherwise specified, all voltages are referenced to V_{SS} .

6.1.1 Minimum and maximum values

Unless otherwise specified the minimum and maximum values are guaranteed in the worst conditions of ambient temperature, supply voltage and frequencies by tests in production on 100% of the devices with an ambient temperature at $T_A = 25\text{ }^\circ\text{C}$ and $T_A = T_{A\text{max}}$ (given by the selected temperature range).

Data based on characterization results, design simulation and/or technology characteristics are indicated in the table footnotes and are not tested in production. Based on characterization, the minimum and maximum values refer to sample tests and represent the mean value plus or minus three times the standard deviation ($\text{mean} \pm 3\sigma$).

6.1.2 Typical values

Unless otherwise specified, typical data are based on $T_A = 25\text{ }^\circ\text{C}$, $V_{DD} = 3.3\text{ V}$ (for the $1.65\text{ V} \leq V_{DD} \leq 3.6\text{ V}$ voltage range). They are given only as design guidelines and are not tested.

Typical ADC accuracy values are determined by characterization of a batch of samples from a standard diffusion lot over the full temperature range, where 95% of the devices have an error less than or equal to the value indicated ($\text{mean} \pm 2\sigma$).

6.1.3 Typical curves

Unless otherwise specified, all typical curves are given only as design guidelines and are not tested.

6.1.4 Loading capacitor

The loading conditions used for pin parameter measurement are shown in [Figure 10](#).

6.1.5 Pin input voltage

The input voltage measurement on a pin of the device is described in [Figure 11](#).

Figure 10. Pin loading conditions

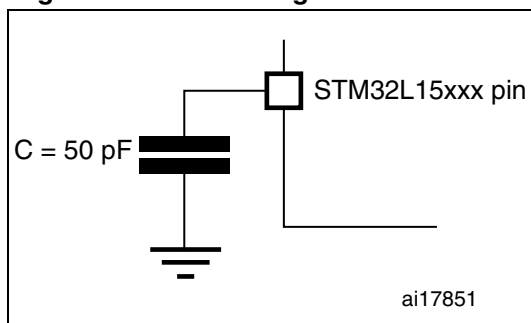
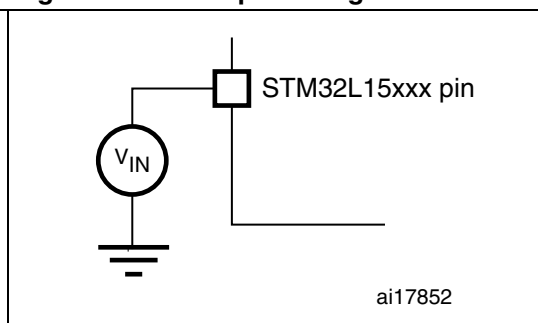
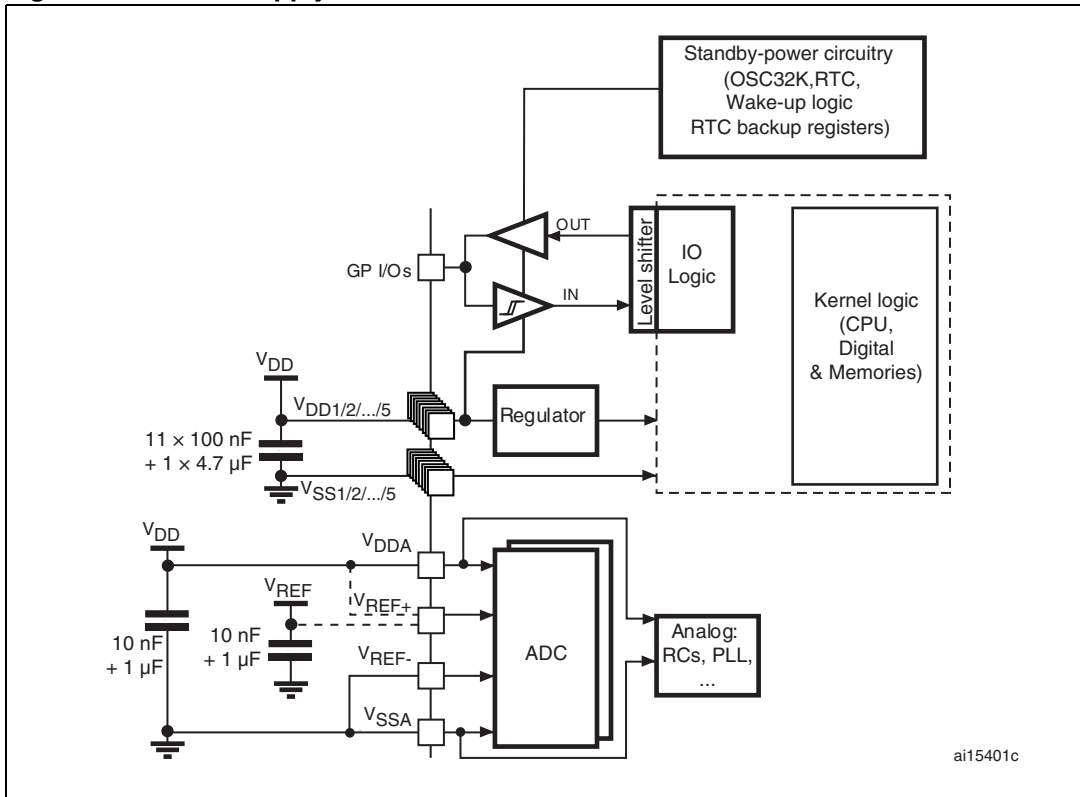


Figure 11. Pin input voltage



6.1.6 Power supply scheme

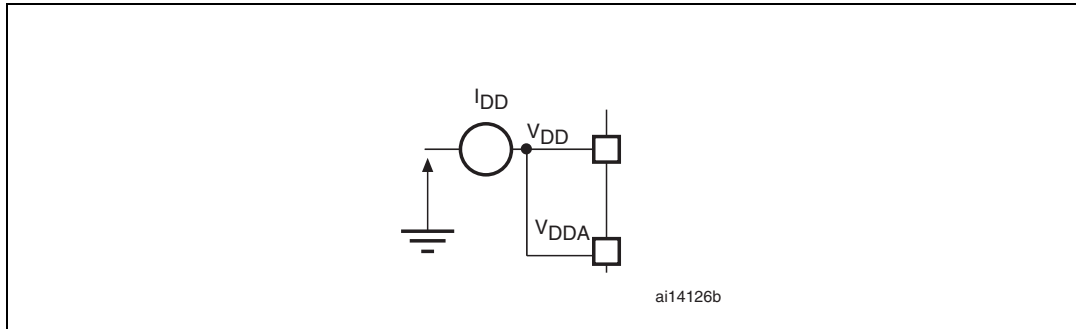
Figure 12. Power supply scheme



Caution: In this figure, the 4.7 μF capacitor must be connected to V_{DD2}.

6.1.7 Current consumption measurement

Figure 13. Current consumption measurement scheme



6.2 Absolute maximum ratings

Stresses above the absolute maximum ratings listed in [Table 6: Voltage characteristics](#), [Table 7: Current characteristics](#), and [Table 8: Thermal characteristics](#) may cause permanent damage to the device. These are stress ratings only and functional operation of the device at these conditions is not implied. Exposure to maximum rating conditions for extended periods may affect device reliability.

Table 6. Voltage characteristics

Symbol	Ratings	Min	Max	Unit
$V_{DD}-V_{SS}$	External main supply voltage (including V_{DDA} and V_{DD}) ⁽¹⁾	-0.3	4.0	V
V_{IN}	Input voltage on five-volt tolerant pin ⁽²⁾	$V_{SS} - 0.3$	$V_{DD}+4.0$	
	Input voltage on any other pin ⁽³⁾	$V_{SS} - 0.3$	4.0	
$ \Delta V_{DDx} $	Variations between different V_{DD} power pins		50	mV
$ V_{SSx} - V_{SS} $	Variations between all different ground pins		50	
$V_{ESD(HBM)}$	Electrostatic discharge voltage (human body model)	see Section 6.3.10		

1. All main power (V_{DD} , V_{DDA}) and ground (V_{SS} , V_{SSA}) pins must always be connected to the external power supply, in the permitted range.
2. Positive current injection is not possible on these I/Os. V_{IN} maximum must always be respected. $I_{INJ(PIN)}$ must never be exceeded. A negative injection is induced by $V_{IN} < V_{SS}$.
3. $I_{INJ(PIN)}$ must never be exceeded (see [Table 7: Current characteristics](#)). This is implicitly insured if V_{IN} maximum is respected. If V_{IN} maximum cannot be respected, the injection current must be limited externally to the $I_{INJ(PIN)}$ value. A positive injection is induced by $V_{IN} > V_{DD}$ while a negative injection is induced by $V_{IN} < V_{SS}$.

Table 7. Current characteristics

Symbol	Ratings	Max.	Unit
I_{VDD}	Total current into V_{DD}/V_{DDA} power lines (source) ⁽¹⁾	80	mA
I_{VSS}	Total current out of V_{SS} ground lines (sink) ⁽¹⁾	80	
I_{IO}	Output current sunk by any I/O and control pin	25	
	Output current sourced by any I/O and control pin	- 25	
$I_{INJ(PIN)}$ ⁽²⁾	Injected current on five-volt tolerant I/O ⁽³⁾	+0 /-5	
	Injected current on any other pin ⁽⁴⁾	± 5	
$\Sigma I_{INJ(PIN)}$	Total injected current (sum of all I/O and control pins) ⁽⁵⁾	± 25	

1. All main power (V_{DD} , V_{DDA}) and ground (V_{SS} , V_{SSA}) pins must always be connected to the external power supply, in the permitted range.
2. Negative injection disturbs the analog performance of the device. See note in [Section 6.3.15](#).
3. Positive current injection is not possible on these I/Os. V_{IN} maximum must always be respected. $I_{INJ(PIN)}$ must never be exceeded. A negative injection is induced by $V_{IN} < V_{SS}$.
4. A positive injection is induced by $V_{IN} > V_{DD}$ while a negative injection is induced by $V_{IN} < V_{SS}$. $I_{INJ(PIN)}$ must never be exceeded. Refer to [Table 6: Voltage characteristics](#) for the maximum allowed input voltage values.
5. When several inputs are submitted to a current injection, the maximum $\Sigma I_{INJ(PIN)}$ is the absolute sum of the positive and negative injected currents (instantaneous values). These results are based on characterization with $\Sigma I_{INJ(PIN)}$ maximum current injection on four I/O port pins of the device.

Table 8. Thermal characteristics

Symbol	Ratings	Value	Unit
T_{STG}	Storage temperature range	-65 to +150	°C
T_J	Maximum junction temperature	150	°C

6.3 Operating conditions

6.3.1 General operating conditions

Table 9. General operating conditions

Symbol	Parameter	Conditions	Min	Max	Unit
f_{HCLK}	Internal AHB clock frequency		0	32	MHz
f_{PCLK1}	Internal APB1 clock frequency		0	32	
f_{PCLK2}	Internal APB2 clock frequency		0	32	
V_{DD}	Standard operating voltage	BOR detector disabled	1.65	3.6	V
		BOR detector enabled, at power on	1.8	3.6	
		BOR detector disabled, after power on	1.65	3.6	
$V_{DDA}^{(1)}$	Analog operating voltage (ADC and DAC not used)	Must be the same voltage as $V_{DD}^{(2)}$	1.65	3.6	V
	Analog operating voltage (ADC or DAC used)		1.8	3.6	
P_D	Power dissipation at $T_A = 85\text{ °C}^{(3)}$			290	mW
T_A	Temperature range	Maximum power dissipation	-40	85	°C
		Low power dissipation ⁽⁴⁾	-40	105	
T_J	Junction temperature range	$-40\text{ °C} \leq T_A \leq 105\text{ °C}$	-40	105	°C

- When the ADC is used, refer to [Table 49: ADC characteristics](#).
- It is recommended to power V_{DD} and V_{DDA} from the same source. A maximum difference of 300 mV between V_{DD} and V_{DDA} can be tolerated during power-up and operation.
- If T_A is lower, higher P_D values are allowed as long as T_J does not exceed T_J max (see [Table 63: Thermal characteristics on page 103](#)).
- In low power dissipation state, T_A can be extended to this range as long as T_J does not exceed T_J max (see [Table 63: Thermal characteristics on page 103](#)).

Table 10. Functionalities depending on the operating power supply range

Operating power supply range	Functionalities depending on the operating power supply range				
	DAC and ADC operation	USB	V _{CORE}	Maximum CPU frequency (f _{CPU max})	I/O operation
V _{DD} = 1.65 to 1.8 V	Not functional	Not functional	Range 2 or range 3	16 MHz (1ws) 8MHz (0ws)	- Degraded speed performance
V _{DD} = 1.8 to 2.0 V	Conversion time up to 500 Ksps	Not functional	Range 2 or range 3	16 MHz (1ws) 8MHz (0ws)	- Degraded speed performance
V _{DD} = 2.0 to 2.4 V	Conversion time up to 500 Ksps	Functional	Range 1, range 2 or range 3	32 MHz (1ws) 16MHz (0ws)	- Full-speed operation
V _{DD} = 2.4 to 3.6 V	Conversion time up to 1 Msps	Functional	Range 1, range 2 or range 3	32 MHz (1ws) 16MHz (0ws)	- Full-speed operation

6.3.2 Embedded reset and power control block characteristics

The parameters given in the following table are derived from the tests performed under the ambient temperature condition summarized in [Table 9](#).

Table 11. Embedded reset and power control block characteristics

Symbol	Parameter	Conditions	Min	Typ	Max	Unit
$t_{VDD}^{(1)}$	V_{DD} rise time rate	BOR detector enabled	0		∞	$\mu\text{s/V}$
		BOR detector disabled	0		1000	
	V_{DD} fall time rate	BOR detector enabled	20		∞	
		BOR detector disabled	0		1000	
$T_{RSTTEMPO}$	Reset temporization	V_{DD} rising, BOR enabled		2	3.3	ms
		V_{DD} rising, BOR disabled	0.4	0.7	1.6	

Table 11. Embedded reset and power control block characteristics (continued)

Symbol	Parameter	Conditions	Min	Typ	Max	Unit
V _{POR/PDR}	Power on/power down reset threshold	Falling edge	1	1.5	1.65	V
		Rising edge	1.3	1.5	1.65	
V _{BOR0}	Brown-out reset threshold 0	Falling edge	1.67	1.7	1.74	
		Rising edge	1.69	1.76	1.8	
V _{BOR1}	Brown-out reset threshold 1	Falling edge	1.87	1.93	1.97	
		Rising edge	1.96	2.03	2.07	
V _{BOR2}	Brown-out reset threshold 2	Falling edge	2.22	2.30	2.35	
		Rising edge	2.31	2.41	2.44	
V _{BOR3}	Brown-out reset threshold 3	Falling edge	2.45	2.55	2.60	
		Rising edge	2.54	2.66	2.7	
V _{BOR4}	Brown-out reset threshold 4	Falling edge	2.68	2.8	2.85	
		Rising edge	2.78	2.9	2.95	
V _{PVD0}	Programmable voltage detector threshold 0	Falling edge	1.8	1.85	1.88	
		Rising edge	1.88	1.94	1.99	
V _{PVD1}	PVD threshold 1	Falling edge	1.98	2.04	2.09	
		Rising edge	2.08	2.14	2.18	
V _{PVD2}	PVD threshold 2	Falling edge	2.20	2.24	2.28	
		Rising edge	2.28	2.34	2.38	
V _{PVD3}	PVD threshold 3	Falling edge	2.39	2.44	2.48	
		Rising edge	2.47	2.54	2.58	
V _{PVD4}	PVD threshold 4	Falling edge	2.57	2.64	2.69	
		Rising edge	2.68	2.74	2.79	
V _{PVD5}	PVD threshold 5	Falling edge	2.77	2.83	2.88	
		Rising edge	2.87	2.94	2.99	
V _{PVD6}	PVD threshold 6	Falling edge	2.97	3.05	3.09	
		Rising edge	3.08	3.15	3.20	
V _{hyst}	Hysteresis voltage	BOR0 threshold		40		mV
		All BOR and PVD thresholds excepting BOR0		100		

1. Guaranteed by characterisation, not tested in production.

6.3.3 Embedded internal reference voltage

The parameters given in [Table 12](#) are based on characterization results, unless otherwise specified.

Table 12. Embedded internal reference voltage

Symbol	Parameter	Conditions	Min	Typ	Max	Unit
V_{REFINT_out}	Internal reference voltage	$-40\text{ °C} < T_J < +105\text{ °C}$	1.202	1.224	1.242	V
I_{REFINT}	Internal reference current consumption			1.4	2.3	μA
$T_{VREFINT}$	Internal reference startup time			2	3	ms
V_{VREF_MEAS}	V_{DDA} and V_{REF+} voltage during V_{REFINT} factory measure		2.99	3	3.01	V
A_{VREF_MEAS}	Accuracy of factory-measured V_{REF} value ⁽¹⁾	Including uncertainties due to ADC and V_{DDA}/V_{REF+} values			± 5	mV
$T_{Coeff}^{(2)}$	Temperature coefficient	$-40\text{ °C} < T_J < +105\text{ °C}$		20	50	ppm/°C
		$0\text{ °C} < T_J < +50\text{ °C}$			20	
$A_{Coeff}^{(2)}$	Long-term stability	1000 hours, $T = 25\text{ °C}$			TBD	ppm
$T_{S_vrefint}^{(2)(3)}$	ADC sampling time when reading the internal reference voltage			5	$10^{(2)}$	μs
$T_{ADC_BUF}^{(2)}$	Startup time of reference voltage buffer for ADC				10	μs
$I_{BUF_ADC}^{(2)}$	Consumption of reference voltage buffer for ADC			13.5	25	μA
$I_{VREF_OUT}^{(2)}$	$VREF_OUT$ output current ⁽⁴⁾				1	μA
$C_{VREF_OUT}^{(2)}$	$VREF_OUT$ output load				50	pF
I_{LPBUF}	Consumption of reference voltage buffer for $VREF_OUT$ and COMP			730	1200	nA
$V_{REFINT_DIV1}^{(2)}$	1/4 reference voltage		24	25	26	% V_{REFINT}
$V_{REFINT_DIV2}^{(2)}$	1/2 reference voltage		49	50	51	
$V_{REFINT_DIV3}^{(2)}$	3/4 reference voltage		74	75	76	

1. The internal V_{REF} value is individually measured in production and stored in dedicated EEPROM bytes.
2. Guaranteed by design, not tested in production.
3. Shortest sampling time can be determined in the application by multiple iterations.
4. To guarantee less than 1% $VREF_OUT$ deviation.

6.3.4 Supply current characteristics

The current consumption is a function of several parameters and factors such as the operating voltage, ambient temperature, I/O pin loading, device software configuration, operating frequencies, I/O pin switching rate, program location in memory and executed binary code. The current consumption is measured as described in [Figure 13: Current consumption measurement scheme](#).

All Run-mode current consumption measurements given in this section are performed with a reduced code that gives a consumption equivalent to Dhrystone 2.1 code.

Maximum current consumption

The MCU is placed under the following conditions:

- $V_{DD} = 3.6\text{ V}$
- All I/O pins are in input mode with a static value at V_{DD} or V_{SS} (no load)
- All peripherals are disabled except when explicitly mentioned
- The Flash memory access time is adjusted depending on f_{HCLK} frequency and voltage range
- Prefetch and 64-bit access are enabled in configurations with 1 wait state

The parameters given in [Table 13](#), [Table 9](#) and [Table 11](#) are derived from tests performed under ambient temperature and V_{DD} supply voltage conditions summarized in [Table 9](#).

Table 13. Current consumption in Run mode, code with data processing running from Flash

Symbol	Parameter	Conditions		f_{HCLK}	Typ	Max ⁽¹⁾			Unit	
						55 °C	85 °C	105 °C		
I_{DD} (Run from Flash)	Supply current in Run mode, code executed from Flash	$f_{HSE} = f_{HCLK}$ up to 8 MHz, included $f_{HSE} = f_{HCLK}/2$ above 8 MHz (PLL ON) ⁽²⁾	Range 3, $V_{CORE}=1.2\text{ V}$ $VOS[1:0] = 11$	1 MHz	270	400	400	400	μA	
				2 MHz	470	600	600	600		
				4 MHz	890	1025	1025	1025		
				Range 2, $V_{CORE}=1.5\text{ V}$ $VOS[1:0] = 10$	4 MHz	1	1.3	1.3	1.3	mA
				8 MHz	2	2.5	2.5	2.5		
				16 MHz	3.9	5	5	5		
				Range 1, $V_{CORE}=1.8\text{ V}$ $VOS[1:0] = 01$	8 MHz	2.16	3	3	3	
				16 MHz	4.8	5.5	5.5	5.5		
				32 MHz	9.6	11	11	11		
			HSI clock source (16 MHz)	Range 2, $V_{CORE}=1.5\text{ V}$ $VOS[1:0] = 10$	16 MHz	4	5	5	5	
				Range 1, $V_{CORE}=1.8\text{ V}$ $VOS[1:0] = 01$	32 MHz	9.4	11	11	11	
			MSI clock, 64 kHz	Range 3, $V_{CORE}=1.2\text{ V}$ $VOS[1:0] = 11$	64 kHz	0.05	0.085	0.09	0.1	
			MSI clock, 512 kHz		512 kHz	0.15	0.185	0.19	0.2	
	MSI clock, 4 MHz	4 MHz	0.9		1	1	1			

1. Based on characterization, not tested in production, unless otherwise specified.

2. Oscillator bypassed (HSEBYP = 1 in RCC_CR register).

Table 14. Current consumption in Run mode, code with data processing running from RAM

Symbol	Parameter	Conditions		f _{HCLK}	Typ	Max ⁽¹⁾			Unit
						55 °C	85 °C	105 °C	
I _{DD} (Run from RAM)	Supply current in Run mode, code executed from RAM, Flash switched off	HSE = 16 MHz ⁽²⁾ (PLL ON for f _{HCLK} above 16 MHz)	Range 3, V _{CORE} =1.2 V VOS[1:0] = 11	1 MHz	200	300	300	300	μA
				2 MHz	380	500	500	500	
				4 MHz	720	860	860	860 ⁽³⁾	
			Range 2, V _{CORE} =1.5 V VOS[1:0] = 10	4 MHz	0.9	1	1	1	mA
				8 MHz	1.65	2	2	2	
				16 MHz	3.2	3.7	3.7	3.7	
			Range 1, V _{CORE} =1.8 V VOS[1:0] = 01	8 MHz	2	2.5	2.5	2.5	
				16 MHz	4	4.5	4.5	4.5	
				32 MHz	7.7	8.5	8.5	8.5	
		HSI clock source (16 MHz)	Range 2, V _{CORE} =1.5 V VOS[1:0] = 10	16 MHz	3.3	3.8	3.8	3.8	
				32 MHz	7.8	9.2	9.2	9.2	
		MSI clock, 64 kHz	Range 3, V _{CORE} =1.2 V VOS[1:0] = 11	64 kHz	40	60	60	80	
		MSI clock, 512 kHz		512 kHz	110	140	140	160	
		MSI clock, 4 MHz		4 MHz	700	800	800	820	

1. Based on characterization, not tested in production, unless otherwise specified.
2. Oscillator bypassed (HSEBYP = 1 in RCC_CR register).
3. Data guaranteed, each individual device tested in production.

Table 15. Current consumption in Sleep mode

Symbol	Parameter	Conditions		f _{HCLK}	Typ	Max ⁽¹⁾			Unit			
						55 °C	85 °C	105 °C				
I _{DD} (Sleep)	Supply current in Sleep mode, code executed from RAM, Flash switched OFF	HSE = 16 MHz ⁽²⁾ (PLL ON for f _{HCLK} >16 MHz)	Range 3, V _{CORE} =1.2 V VOS[1:0] = 11	1 MHz	80	140	140	140	μA			
				2 MHz	150	210	210	210				
				4 MHz	280	330	330	330 ⁽³⁾				
			Range 2, V _{CORE} =1.5 V VOS[1:0] = 10	4 MHz	280	400	400	400				
				8 MHz	450	550	550	550				
				16 MHz	900	1050	1050	1050				
			Range 1, V _{CORE} =1.8 V VOS[1:0] = 01	8 MHz	550	650	650	650				
				16 MHz	1050	1200	1200	1200				
				32 MHz	2300	2500	2500	2500				
		HSI clock source (16 MHz)	Range 2, V _{CORE} =1.5 V VOS[1:0] = 10	16 MHz	1000	1100	1100	1100				
				Range 1, V _{CORE} =1.8 V VOS[1:0] = 01	32 MHz	2300	2500	2500		2500		
		MSI clock, 64 kHz	Range 3, V _{CORE} =1.2 V VOS[1:0] = 11	64 kHz	30	50	50	60				
		MSI clock, 512 kHz		512 kHz	50	70	70	80				
		MSI clock, 4 MHz		4 MHz	200	240	240	250				
I _{DD} (Sleep)	Supply current in Sleep mode, code executed from Flash	HSE = 16 MHz ⁽²⁾ (PLL ON for f _{HCLK} above 16 MHz)	Range 3, V _{CORE} =1.2 V VOS[1:0] = 11	1 MHz	80	140	140	140	μA			
				2 MHz	150	210	210	210				
				4 MHz	290	350	350	350				
			Range 2, V _{CORE} =1.5 V VOS[1:0] = 10	4 MHz	300	400	400	400				
				8 MHz	500	600	600	600				
				16 MHz	1000	1100	1100	1100				
			Range 1, V _{CORE} =1.8 V VOS[1:0] = 01	8 MHz	550	650	650	650				
				16 MHz	1050	1200	1200	1200				
				32 MHz	2300	2500	2500	2500				
		HSI clock source (16 MHz)	Range 2, V _{CORE} =1.5 V VOS[1:0] = 10	16 MHz	1000	1100	1100	1100				
				Range 1, V _{CORE} =1.8 V VOS[1:0] = 01	32 MHz	2300	2500	2500		2500		
		I _{DD} (Sleep)	Supply current in Sleep mode, code executed from Flash	MSI clock, 64 kHz	Range 3, V _{CORE} =1.2V VOS[1:0] = 11	64 kHz	40	70		70	80	μA
				MSI clock, 512 kHz		512 kHz	60	90		90	100	
				MSI clock, 4 MHz		4 MHz	210	250		250	260	

1. Based on characterization, not tested in production, unless otherwise specified.
2. Oscillator bypassed (HSEBYP = 1 in RCC_CR register)
3. Data guaranteed, each individual device tested in production

Table 16. Current consumption in Low power run mode

Symbol	Parameter	Conditions		Typ	Max (1)	Unit				
I _{DD} (LP Run)	Supply current in Low power run mode	All peripherals OFF, code executed from RAM, Flash switched OFF, V _{DD} from 1.65 V to 3.6 V	MSI clock, 64 kHz f _{HCLK} = 32 kHz	T _A = 25 °C	9	12	μA			
			MSI clock, 64 kHz f _{HCLK} = 64 kHz	T _A = 25 °C	14	17				
			MSI clock, 128 kHz f _{HCLK} = 128 kHz	T _A = -40 °C to 25 °C	37	42				
				T _A = 55 °C	37	42				
				T _A = 85 °C	37	42				
				T _A = 105 °C	48	65				
		All peripherals OFF, code executed from Flash, V _{DD} from 1.65 V to 3.6 V	MSI clock, 64 kHz f _{HCLK} = 32 kHz	T _A = 25 °C	24	32				
			MSI clock, 64 kHz f _{HCLK} = 64 kHz	T _A = 25 °C	31	40				
			MSI clock, 128 kHz f _{HCLK} = 128 kHz	T _A = -40 °C to 25 °C	48	58				
				T _A = 55 °C	54	63				
				T _A = 85 °C	56	65				
				T _A = 105 °C	70	90				
			I _{DD} Max (LP Run)	Max allowed current in Low power run mode	V _{DD} from 1.65 V to 3.6 V				200	

1. Based on characterization, not tested in production, unless otherwise specified.

Table 17. Current consumption in Low power sleep mode

Symbol	Parameter	Conditions			Typ	Max (1)	Unit			
I _{DD} (LP Sleep)	Supply current in Low power sleep mode	All peripherals OFF, code executed from Flash, V _{DD} from 1.65 V to 3.6 V	MSI clock, 64 kHz f _{HCLK} = 32 kHz	T _A = 25 °C	17.5	25	μA			
			MSI clock, 64 kHz f _{HCLK} = 64 kHz	T _A = 25 °C	18	26				
			MSI clock, 128 kHz f _{HCLK} = 128 kHz	T _A = -40 °C to 25 °C	22	30				
				T _A = 55 °C	24	32				
				T _A = 85 °C	26	34				
			T _A = 105 °C	34	45					
		TIM9 and USART1 enabled, code executed from Flash, V _{DD} from 1.65 V to 3.6 V	MSI clock, 64 kHz f _{HCLK} = 32 kHz	T _A = 25 °C	17.5	25				
			MSI clock, 64 kHz f _{HCLK} = 64 kHz	T _A = 25 °C	18	26				
			MSI clock, 128 kHz f _{HCLK} = 128 kHz	T _A = -40 °C to 25 °C	22	30				
				T _A = 55 °C	24	32				
				T _A = 85 °C	26	34				
			T _A = 105 °C	34	45					
		I _{DD} Max (LP Sleep)	Max allowed current in Low power Sleep mode	V _{DD} from 1.65 V to 3.6 V					200	

1. Based on characterization, not tested in production, unless otherwise specified.

Table 18. Typical and maximum current consumptions in Stop mode

Symbol	Parameter	Conditions		Typ ⁽¹⁾	Max	Unit	
I _{DD} (Stop with RTC)	Supply current in Stop mode with RTC enabled	RTC clocked by LSI, regulator in LP mode, HSI and HSE OFF (no independent watchdog)	LCD OFF	T _A = -40°C to 25°C	1.9	4	μA
				T _A = 55°C	3.1	6	
				T _A = 85°C	6.2	10	
				T _A = 105°C	14	23	
			LCD ON (static duty) ⁽²⁾	T _A = -40°C to 25°C	4	6	
				T _A = 55°C	5	8	
				T _A = 85°C	8	12	
				T _A = 105°C	18	27	
	LCD ON (1/8 duty) ⁽³⁾	T _A = -40°C to 25°C	8	10			
		T _A = 55°C	9	12			
		T _A = 85°C	12	16			
		T _A = 105°C	25	40			
	Supply current in Stop mode with RTC enabled	RTC clocked by LSE external clock (32.768 kHz), regulator in LP mode, HSI and HSE OFF (no independent watchdog)	LCD OFF	T _A = -40°C to 25°C	1.9	4	
				T _A = 55°C	3.1	6	
				T _A = 85°C	6.2	10	
				T _A = 105°C	14	23	
LCD ON (static duty) ⁽²⁾			T _A = -40°C to 25°C	4	6		
			T _A = 55°C	5	8		
			T _A = 85°C	8	12		
			T _A = 105°C	14	23		
LCD ON (1/8 duty) ⁽³⁾	T _A = -40°C to 25°C	8	10				
	T _A = 55°C	9	12				
	T _A = 85°C	12	16				
	T _A = 105°C	25	40				
I _{DD} (Stop)	Supply current in Stop mode (RTC disabled)	Regulator in LP mode, HSI and HSE OFF, independent watchdog and LSI enabled		T _A = -40°C to 25°C	1.6	2.2	
		Regulator in LP mode, LSI, HSI and HSE OFF (no independent watchdog)		T _A = -40°C to 25°C	0.6	0.9	
				T _A = 55°C	2.5	5	
				T _A = 85°C	5	8	
				T _A = 105°C	12.5	20	
I _{DD} (WU from Stop)	Supply current during wake-up from Stop mode	MSI = 4 MHz		T _A = -40°C to 25°C	TBD		
		MSI = 1 MHz		T _A = -40°C to 25°C	TBD		
		MSI = 64 kHz		T _A = -40°C to 25°C	TBD		

1. Typical values are measured at T_A = 25 °C and V_{DD} = 3.6 V.

2. LCD enabled with external VLCD, static duty, division ratio = 256, all pixels active, no LCD connected

3. LCD enabled with external VLCD, 1/4 duty, 1/3 bias, division ratio = 64, all pixels active, no LCD connected.

Table 19. Typical and maximum current consumptions in Standby mode

Symbol	Parameter	Conditions		Typ ⁽¹⁾	Max	Unit
I _{DD} (Standby with RTC)	Supply current in Standby mode with RTC enabled	RTC clocked by LSI (no independent watchdog)	T _A = -40 °C to 25 °C	1.4	1.8	μA
			T _A = 55 °C	1.9	2.5	
			T _A = 85 °C	2.2	3	
			T _A = 105 °C	3.5	5	
		RTC clocked by LSE (no independent watchdog)	T _A = -40 °C to 25 °C	1.3	TBD	
			T _A = 55 °C	TBD	TBD	
			T _A = 85 °C	TBD	TBD	
			T _A = 105 °C	TBD	TBD	
I _{DD} (Standby)	Supply current in Standby mode (RTC disabled)	Independent watchdog and LSI enabled	T _A = -40 °C to 25 °C	1.2	1.6	μA
		Independent watchdog and LSI OFF	T _A = -40 °C to 25 °C	0.3	0.55	
			T _A = 55 °C	0.5	0.8	
			T _A = 85 °C	1	1.7	
			T _A = 105 °C	2.5	4	
I _{DD} (WU from Standby)	Supply current during wakeup from Standby mode		T _A = -40 °C to 25 °C	TBD		

1. Typical values are measured at T_A = 25 °C and V_{DD} = 3.6 V.

Wakeup time from low-power mode

The wakeup times given in the following table are measured on a wakeup phase with the MSI RC oscillator. The clock source used to wake up the device depends on the current operating mode:

- Sleep mode: the clock source is the clock that was set before entering Sleep mode
- Stop mode: the clock source is the MSI oscillator in the range configured before entering Stop mode
- Standby mode: the clock source is the MSI oscillator running at 2 MHz

All timings are derived from tests performed under ambient temperature and V_{DD} supply voltage conditions summarized in [Table 9](#).

Table 20. Typical and maximum timings in Low power modes

Symbol	Parameter	Conditions	Typ ⁽¹⁾	Max	Unit
t _{WUSLEEP} ⁽²⁾	Wakeup from Sleep mode	f _{HCLK} = 32 MHz	0.36		μs
t _{WUSLEEP_LP} ⁽²⁾	Wakeup from Low power sleep mode f _{HCLK} = 128 kHz	f _{HCLK} = 128 kHz Flash enabled	32		
		f _{HCLK} = 128 kHz Flash switched OFF	34		
t _{WUSTOP} ⁽¹⁾	Wakeup from Stop mode, regulator in Run mode	f _{HCLK} = f _{MSI} = 4.2 MHz	TBD		
		f _{HCLK} = f _{MSI} = 4.2 MHz Voltage range 1 and 2	8.2	9.3	
	Wakeup from Stop mode, regulator in low power mode	f _{HCLK} = f _{MSI} = 4.2 MHz Voltage range 3	7.8	11.2	
		f _{HCLK} = f _{MSI} = 2.1 MHz	10	12	
		f _{HCLK} = f _{MSI} = 1.05 MHz	15.5	20	
		f _{HCLK} = f _{MSI} = 524 kHz	29	35	
		f _{HCLK} = f _{MSI} = 262 kHz	53	63	
		f _{HCLK} = f _{MSI} = 131 kHz	105	118	
f _{HCLK} = MSI = 64 kHz	210	237			
t _{WUSTDBY} ⁽¹⁾	Wakeup from Standby mode FWU bit = 1	f _{HCLK} = MSI = 2.1 MHz	50	103	ms
	Wakeup from Standby mode FWU bit = 0	f _{HCLK} = MSI = 2.1 MHz	2.5	3.2	

1. Typical values are measured at T_A = 25 °C.
 2. Wakeup time until start of interrupt vector fetch.

On-chip peripheral current consumption

The current consumption of the on-chip peripherals is given in the following table. The MCU is placed under the following conditions:

- all I/O pins are in input mode with a static value at V_{DD} or V_{SS} (no load)
- all peripherals are disabled unless otherwise mentioned
- the given value is calculated by measuring the current consumption
 - with all peripherals clocked off
 - with only one peripheral clocked on
- ambient operating temperature and V_{DD} supply voltage conditions summarized in [Table 6: Voltage characteristics](#).

Table 21. Peripheral current consumption⁽¹⁾

Peripheral		Typical consumption, $V_{DD} = 3.0\text{ V}$, $T_A = 25\text{ °C}$				Unit
		Range 1, $V_{CORE} = 1.8\text{ V}$ $VOS[1:0] = 01$	Range 2, $V_{CORE} = 1.5\text{ V}$ $VOS[1:0] = 10$	Range 3, $V_{CORE} = 1.2\text{ V}$ $VOS[1:0] = 11$	Low power sleep and run	
APB1	TIM2	13	10.5	8	10.5	$\mu\text{A}/\text{MHz}$ (f_{HCLK})
	TIM3	14	12	9	12	
	TIM4	12.5	10.5	8	11	
	TIM6	5.5	4.5	3.5	4.5	
	TIM7	5.5	5	3.5	4.5	
	LCD	5.5	5	3.5	5	
	WWDG	4	3.5	2.5	3.5	
	SPI2	5.5	5	4	5	
	USART2	9	8	5.5	8.5	
	USART3	10.5	9	6	8	
	I2C1	8.5	7	5.5	7.5	
	I2C2	8.5	7	5.5	6.5	
	USB	12.5	10	6.5	10	
	PWR	4.5	4	3	3.5	
	DAC	9	7.5	6	7	
COMP	4.5	4	3.5	4.5		

Table 21. Peripheral current consumption⁽¹⁾ (continued)

Peripheral		Typical consumption, V _{DD} = 3.0 V, T _A = 25 °C				Unit
		Range 1, V _{CORE} = 1.8 V VOS[1:0] = 01	Range 2, V _{CORE} = 1.5 V VOS[1:0] = 10	Range 3, V _{CORE} = 1.2 V VOS[1:0] = 11	Low power sleep and run	
APB2	SYSCFG & RI	3	2.5	2	2.5	μA/MHz (f _{HCLK})
	TIM9	9	7.5	6	7	
	TIM10	6.5	5.5	4.5	5.5	
	TIM11	7	6	4.5	5.5	
	ADC ⁽²⁾	11.5	9.5	8	9	
	SPI1	5	4.5	3	4	
	USART1	9	7.5	6	7.5	
AHB	GPIOA	5	4.5	3.5	4	
	GPIOB	5	4.5	3.5	4.5	
	GPIOC	5	4.5	3.5	4.5	
	GPIOD	5	4.5	3.5	4.5	
	GPIOE	5	4.5	3.5	4.5	
	GPIOF	4	4	3	3.5	
	CRC	1	0.5	0.5	0.5	
	FLASH	13	11.5	9	18.5	
	DMA1	12	10	8	10.5	
All enabled		166	138	106	130	
I _{DD} (RTC)		0.47				μA
I _{DD} (LCD)		3.1				
I _{DD} (ADC) ⁽³⁾		1450				
I _{DD} (DAC) ⁽⁴⁾		340				
I _{DD} (COMP1)		0.16				
I _{DD} (COMP2)	Slow mode	2				
	Fast mode	5				
I _{DD} (PVD / BOR) ⁽⁵⁾		2.6				
I _{DD} (IWDG)		0.25				

1. Data based on differential I_{DD} measurement between all peripherals OFF or one peripheral with clock enabled, in the following conditions: f_{HCLK} = 32 MHz (range 1), f_{HCLK} = 16 MHz (range 2), f_{HCLK} = 4 MHz (range 3), f_{HCLK} = 64kHz (Low power run/sleep), f_{APB1} = f_{HCLK}, f_{APB2} = f_{HCLK}, default prescaler value for each peripheral. The CPU is in Sleep mode in both cases. No I/O pins toggling. Not tested in production.
2. HSI oscillator is OFF for this measure.
3. Data based on a differential I_{DD} measurement between ADC in reset configuration and continuous ADC conversion (HSI consumption not included).

- 4. Data based on a differential I_{DD} measurement between DAC in reset configuration and continuous DAC conversion of V_{DD}/2. DAC is in buffered mode, output is left floating.
- 5. Including supply current of internal reference voltage.

6.3.5 External clock source characteristics

High-speed external user clock generated from an external source

The characteristics given in [Table 22](#) result from tests performed using an high-speed external clock source, and under ambient temperature and supply voltage conditions summarized in [Table 9](#).

Table 22. High-speed external user clock characteristics

Symbol	Parameter	Conditions	Min	Typ	Max	Unit
f _{HSE_ext}	User external clock source frequency ⁽¹⁾		1	8	32	MHz
V _{HSEH}	OSC_IN input pin high level voltage		0.7V _{DD}		V _{DD}	V
V _{HSEL}	OSC_IN input pin low level voltage		V _{SS}		0.3V _{DD}	
t _{w(HSE)} t _{w(HSE)}	OSC_IN high or low time ⁽¹⁾		12			ns
t _{r(HSE)} t _{f(HSE)}	OSC_IN rise or fall time ⁽¹⁾				20	
C _{in(HSE)}	OSC_IN input capacitance ⁽¹⁾			2.6		pF
DuCy _(HSE)	Duty cycle		45		55	%
I _L	OSC_IN Input leakage current	V _{SS} ≤ V _{IN} ≤ V _D D			±1	μA

1. Guaranteed by design, not tested in production.

Low-speed external user clock generated from an external source

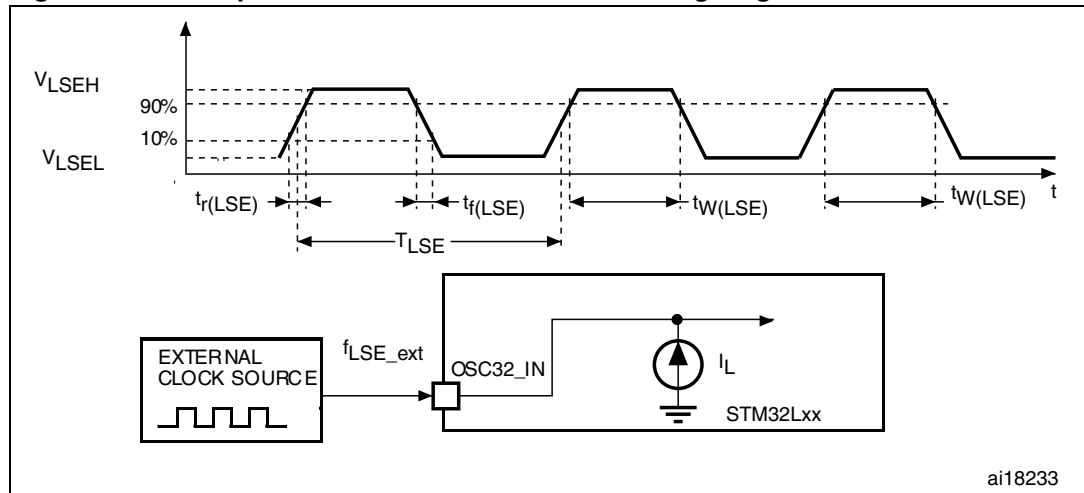
The characteristics given in the following table result from tests performed using a low-speed external clock source, and under ambient temperature and supply voltage conditions summarized in [Table 9](#).

Table 23. Low-speed external user clock characteristics

Symbol	Parameter	Conditions	Min	Typ	Max	Unit
f_{LSE_ext}	User external clock source frequency ⁽¹⁾		1	32.768	1000	kHz
V_{LSEH}	OSC32_IN input pin high level voltage		$0.7V_{DD}$		V_{DD}	V
V_{LSEL}	OSC32_IN input pin low level voltage		V_{SS}		$0.3V_{DD}$	
$t_{w(LSE)}$ $t_{w(LSE)}$	OSC32_IN high or low time ⁽¹⁾		TBD			ns
$t_{r(LSE)}$ $t_{f(LSE)}$	OSC32_IN rise or fall time ⁽¹⁾				TBD	
$C_{IN(LSE)}$	OSC32_IN input capacitance ⁽¹⁾			0.6		pF
DuCy(LSE)	Duty cycle		TBD		TBD	%
I_L	OSC32_IN Input leakage current	$V_{SS} \leq V_{IN} \leq V_D$			± 1	μA

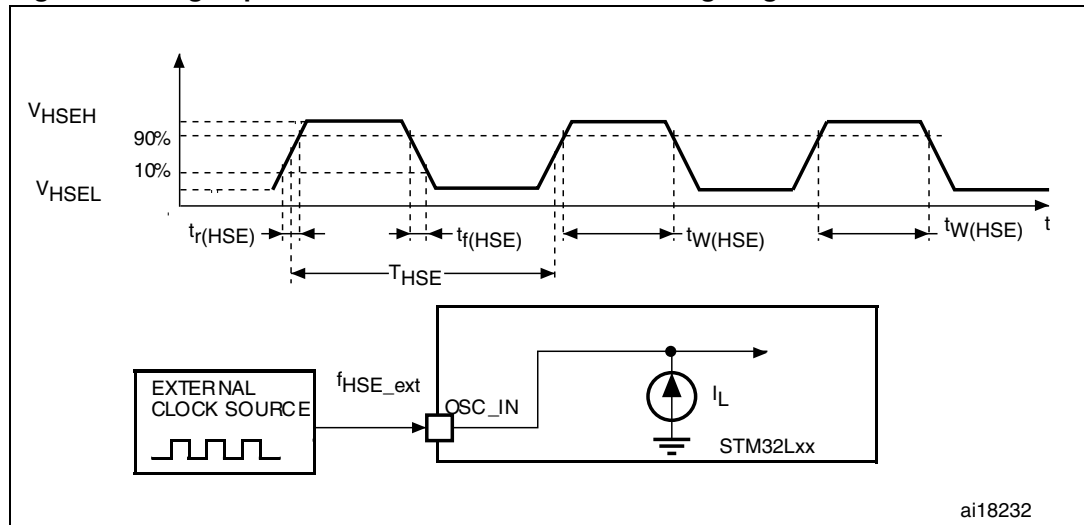
1. Guaranteed by design, not tested in production.

Figure 14. Low-speed external clock source AC timing diagram



ai18233

Figure 15. High-speed external clock source AC timing diagram



High-speed external clock generated from a crystal/ceramic resonator

The high-speed external (HSE) clock can be supplied with a 1 to 24 MHz crystal/ceramic resonator oscillator. All the information given in this paragraph are based on characterization results obtained with typical external components specified in [Table 24](#). In the application, the resonator and the load capacitors have to be placed as close as possible to the oscillator pins in order to minimize output distortion and startup stabilization time. Refer to the crystal resonator manufacturer for more details on the resonator characteristics (frequency, package, accuracy).

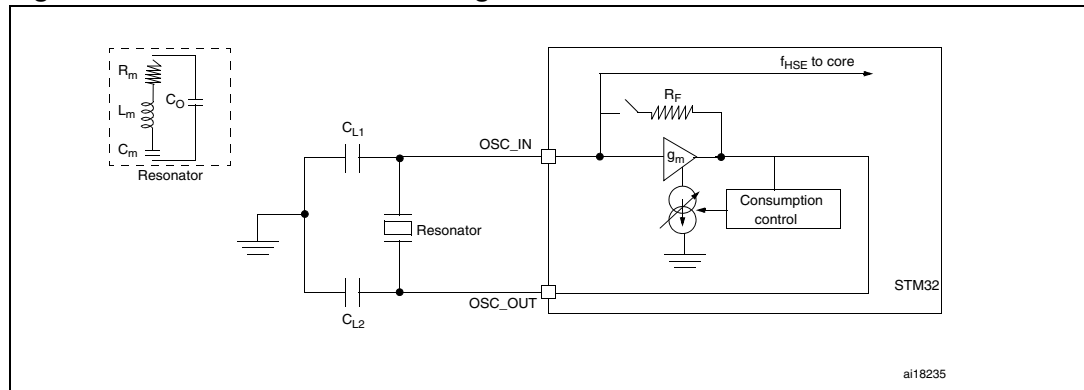
Table 24. HSE 1-24 MHz oscillator characteristics⁽¹⁾⁽²⁾

Symbol	Parameter	Conditions	Min	Typ	Max	Unit
$f_{\text{OSC_IN}}$	Oscillator frequency		1		24	MHz
R_{F}	Feedback resistor			200		k Ω
C	Recommended load capacitance versus equivalent serial resistance of the crystal (R_{S}) ⁽³⁾	$R_{\text{S}} = 30 \Omega$		20		pF
I_{HSE}	HSE driving current	$V_{\text{DD}} = 3.3 \text{ V}$, $V_{\text{IN}} = V_{\text{SS}}$ with 30 pF load			3	mA
$I_{\text{DD(HSE)}}$	HSE oscillator power consumption	C = 20 pF $f_{\text{OSC}} = 16 \text{ MHz}$			2.5 (startup) 0.7 (stabilized)	mA
		C = 10 pF $f_{\text{OSC}} = 16 \text{ MHz}$			2.5 (startup) 0.46 (stabilized)	
g_{m}	Oscillator transconductance	Startup	3.5			mA /V
$t_{\text{SU(HSE)}}$ ⁽⁴⁾	Startup time	V_{DD} is stabilized		1		ms

1. Resonator characteristics given by the crystal/ceramic resonator manufacturer.
2. Based on characterization results, not tested in production.
3. The relatively low value of the RF resistor offers a good protection against issues resulting from use in a humid environment, due to the induced leakage and the bias condition change. However, it is recommended to take this point into account if the MCU is used in tough humidity conditions.
4. $t_{\text{SU(HSE)}}$ is the startup time measured from the moment it is enabled (by software) to a stabilized 8 MHz oscillation is reached. This value is measured for a standard crystal resonator and it can vary significantly with the crystal manufacturer.

For C_{L1} and C_{L2} , it is recommended to use high-quality external ceramic capacitors in the 5 pF to 25 pF range (typ.), designed for high-frequency applications, and selected to match the requirements of the crystal or resonator (see [Figure 16](#)). C_{L1} and C_{L2} are usually the same size. The crystal manufacturer typically specifies a load capacitance which is the series combination of C_{L1} and C_{L2} . PCB and MCU pin capacitance must be included (10 pF can be used as a rough estimate of the combined pin and board capacitance) when sizing C_{L1} and C_{L2} . Refer to the application note AN2867 "Oscillator design guide for ST microcontrollers" available from the ST website www.st.com.

Figure 16. HSE oscillator circuit diagram



1. R_{EXT} value depends on the crystal characteristics.

Low-speed external clock generated from a crystal/ceramic resonator

The low-speed external (LSE) clock can be supplied with a 32.768 kHz crystal/ceramic resonator oscillator. All the information given in this paragraph are based on characterization results obtained with typical external components specified in [Table 25](#). In the application, the resonator and the load capacitors have to be placed as close as possible to the oscillator pins in order to minimize output distortion and startup stabilization time. Refer to the crystal resonator manufacturer for more details on the resonator characteristics (frequency, package, accuracy).

Table 25. LSE oscillator characteristics ($f_{LSE} = 32.768 \text{ kHz}$)⁽¹⁾

Symbol	Parameter	Conditions	Min	Typ	Max	Unit
f_{LSE}	Low speed external oscillator frequency			32.768		kHz
R_F	Feedback resistor			1.2		M Ω
$C^{(2)}$	Recommended load capacitance versus equivalent serial resistance of the crystal (R_S) ⁽³⁾	$R_S = 30 \text{ k}\Omega$		8		pF
I_{LSE}	LSE driving current	$V_{DD} = 3.3 \text{ V}, V_{IN} = V_{SS}$			1.1	μA
$I_{DD (LSE)}$	LSE oscillator current consumption	$V_{DD} = 1.8 \text{ V}$		450		nA
		$V_{DD} = 3.0 \text{ V}$		600		
		$V_{DD} = 3.6 \text{ V}$		750		
g_m	Oscillator transconductance		3			$\mu\text{A/V}$
$t_{SU(LSE)}^{(4)}$	Startup time	V_{DD} is stabilized		1		s

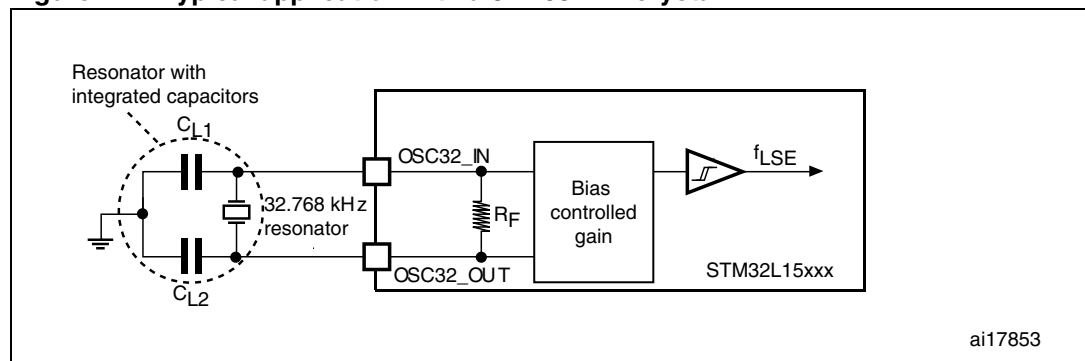
- Based on characterization, not tested in production.
- Refer to the note and caution paragraphs below the table, and to the application note AN2867 "Oscillator design guide for ST microcontrollers".
- The oscillator selection can be optimized in terms of supply current using an high quality resonator with small R_S value for example MSIV-TIN32.768kHz. Refer to crystal manufacturer for more details;
- $t_{SU(LSE)}$ is the startup time measured from the moment it is enabled (by software) to a stabilized 32.768 kHz oscillation is reached. This value is measured for a standard crystal resonator and it can vary significantly with the crystal manufacturer.

Note: For C_{L1} and C_{L2} , it is recommended to use high-quality ceramic capacitors in the 5 pF to 15 pF range selected to match the requirements of the crystal or resonator (see [Figure 17](#)). C_{L1} and C_{L2} are usually the same size. The crystal manufacturer typically specifies a load capacitance which is the series combination of C_{L1} and C_{L2} . Load capacitance C_L has the following formula: $C_L = C_{L1} \times C_{L2} / (C_{L1} + C_{L2}) + C_{stray}$ where C_{stray} is the pin capacitance and board or trace PCB-related capacitance. Typically, it is between 2 pF and 7 pF.

Caution: To avoid exceeding the maximum value of C_{L1} and C_{L2} (15 pF) it is strongly recommended to use a resonator with a load capacitance $C_L \leq 7$ pF. Never use a resonator with a load capacitance of 12.5 pF.

Example: if you choose a resonator with a load capacitance of $C_L = 6$ pF and $C_{stray} = 2$ pF, then $C_{L1} = C_{L2} = 8$ pF.

Figure 17. Typical application with a 32.768 kHz crystal



ai17853

6.3.6 Internal clock source characteristics

The parameters given in [Table 26](#) are derived from tests performed under ambient temperature and V_{DD} supply voltage conditions summarized in [Table 9](#).

High-speed internal (HSI) RC oscillator

Table 26. HSI oscillator characteristics⁽¹⁾

Symbol	Parameter	Conditions	Min	Typ	Max	Unit
f_{HSI}	Frequency	$V_{DD} = 3.0\text{ V}$		16		MHz
$TRIM^{(2)}$	HSI user-trimmed resolution	Trimming code is not a multiple of 16		± 0.4	0.7	%
		Trimming code is a multiple of 16			± 1.5	%
$ACC_{HSI}^{(3)}$	Accuracy of the factory-calibrated HSI oscillator	$V_{DDA} = 3.0\text{ V}, T_A = 25\text{ }^\circ\text{C}$	-1		1	%
		$V_{DDA} = 3.0\text{ V}, T_A = 0\text{ to }55\text{ }^\circ\text{C}$	-1.5		1.5	%
		$V_{DDA} = 3.0\text{ V}, T_A = -10\text{ to }70\text{ }^\circ\text{C}$	-2		2	%
		$V_{DDA} = 3.0\text{ V}, T_A = -10\text{ to }85\text{ }^\circ\text{C}$	-2.5		2	%
		$V_{DDA} = 3.0\text{ V}, T_A = -10\text{ to }105\text{ }^\circ\text{C}$	-4		2	%
		$V_{DDA} = 1.65\text{ V to }3.6\text{ V}$ $T_A = -40\text{ to }105\text{ }^\circ\text{C}$	-4		3	%
$t_{SU(HSI)}^{(3)}$	HSI oscillator startup time			3.7	6	μs
$I_{DD(HSI)}^{(3)}$	HSI oscillator power consumption			100	140	μA

1. $1.65 \leq V_{DD} \leq 3.6\text{ V}, T_A = -40\text{ to }105\text{ }^\circ\text{C}$ unless otherwise specified
2. The trimming step differs depending on the trimming code. It is usually negative on the codes which are multiples of 16 (0x00, 0x10, 0x20, 0x30...0xE0).
3. Based on characterization, not tested in production

Low-speed internal (LSI) RC oscillator

Table 27. LSI oscillator characteristics⁽¹⁾

Symbol	Parameter	Min	Typ	Max	Unit
$f_{LSI}^{(2)}$	LSI frequency	26	38	56	kHz
$D_{LSI}^{(3)}$	LSI oscillator frequency drift $0^\circ\text{C} \leq T_A \leq 85^\circ\text{C}$	-10		4	%
$t_{su(LSI)}^{(4)}$	LSI oscillator startup time			200 ⁽⁴⁾	μs
$I_{DD(LSI)}^{(4)}$	LSI oscillator power consumption		400	510	nA

1. $V_{DD} = 1.8\text{ V to }3.0\text{ V}, T_A = -40\text{ to }105\text{ }^\circ\text{C}$ unless otherwise specified.
2. Based on characterization, not tested in production.
3. This is a deviation for an individual part, once the initial frequency has been measured.
4. Guaranteed by design, not tested in production.

Multi-speed internal (MSI) RC oscillator

Table 28. MSI oscillator characteristics ⁽¹⁾

Symbol	Parameter	Condition	Typ	Max	Unit		
f_{MSI}	Frequency after factory calibration, done at $V_{\text{DD}}=3.3\text{ V}$ and $T_{\text{A}}=25\text{ }^{\circ}\text{C}$	MSI range 0	65.5		kHz		
		MSI range 1	131				
		MSI range 2	262				
				MSI range 3	524		MHz
				MSI range 4	1.05		
				MSI range 5	2.1		
				MSI range 6	4.2		
ACC_{MSI}	Frequency error after factory calibration		± 0.5		%		
$D_{\text{TEMP}(\text{MSI})}$	MSI oscillator frequency drift ⁽²⁾ $0\text{ }^{\circ}\text{C} \leq T_{\text{A}} \leq 85\text{ }^{\circ}\text{C}$		± 3		%		
$D_{\text{VOLT}(\text{MSI})}$	MSI oscillator frequency drift ⁽²⁾ $1.8\text{ V} \leq V_{\text{DD}} \leq 3.6\text{ V}$, $T_{\text{A}}=25\text{ }^{\circ}\text{C}$			2.5	%/ V		
	MSI oscillator frequency drift ⁽²⁾ $1.65\text{ V} \leq V_{\text{DD}} \leq 1.8\text{ V}$, $T_{\text{A}}=25\text{ }^{\circ}\text{C}$			TBD			
$I_{\text{DD}(\text{MSI})}^{(3)}$	MSI oscillator power consumption	MSI range 0	0.75		μA		
		MSI range 1	1				
		MSI range 2	1.5				
		MSI range 3	2.5				
		MSI range 4	4.5				
		MSI range 5	8				
		MSI range 6	15				

Table 28. MSI oscillator characteristics ⁽¹⁾ (continued)

Symbol	Parameter	Condition	Typ	Max	Unit
t _{SU(MSI)}	MSI oscillator startup time	MSI range 0	30		μs
		MSI range 1	20		
		MSI range 2	15		
		MSI range 3	10		
		MSI range 4	6		
		MSI range 5	5		
		MSI range 6, Voltage range 1 and 2	3.5		
		MSI range 6, Voltage range 3	5		
t _{STAB(MSI)}	MSI oscillator stabilization time	MSI range 0		40	μs
		MSI range 1		20	
		MSI range 2		10	
		MSI range 3		4	
		MSI range 4		2.5	
		MSI range 5		2	
		MSI range 6, Voltage range 1 and 2		2	
		MSI range 3, Voltage range 3		3	
f _{OVER(MSI)}	MSI oscillator frequency overshoot	Any range to range 5		4	MHz
		Any range to range 6		6	

1. $1.65 \leq V_{DD} \leq 3.6$ V, $T_A = -40$ to 105 °C unless otherwise specified.
2. This is a deviation for an individual part, once the initial frequency has been measured.
3. Based on characterization, not tested in production.

6.3.7 PLL characteristics

The parameters given in [Table 29](#) are derived from tests performed under ambient temperature and V_{DD} supply voltage conditions summarized in [Table 9](#).

Table 29. PLL characteristics

Symbol	Parameter	Value			Unit
		Min	Typ	Max ⁽¹⁾	
f_{PLL_IN}	PLL input clock ⁽²⁾	2		24	MHz
	PLL input clock duty cycle	45		55	%
f_{PLL_OUT}	PLL multiplier output clock	2		32	MHz
t_{LOCK}	Worst case PLL lock time PLL input = 2 MHz PLL VCO = 96 MHz		100	130	μ s
Jitter	Cycle-to-cycle jitter			± 600	ps
$I_{DDA}(PLL)$	Current consumption on V_{DDA}		220	450	μ A
$I_{DD}(PLL)$	Current consumption on V_{DD}		120	150	

1. Based on characterization, not tested in production.
2. Take care of using the appropriate multiplier factors so as to have PLL input clock values compatible with the range defined by f_{PLL_OUT} .

6.3.8 Memory characteristics

The characteristics are given at $T_A = -40$ to 105 °C unless otherwise specified.

RAM memory

Table 30. RAM and hardware registers

Symbol	Parameter	Conditions	Min	Typ	Max	Unit
V _{RM}	Data retention mode ⁽¹⁾	STOP mode (or RESET)	1.65			V

1. Minimum supply voltage without losing data stored in RAM (in Stop mode or under Reset) or in hardware registers (only in Stop mode). Guaranteed by technology characteristics, not tested in production.

Flash memory

Table 31. Flash memory characteristics

Symbol	Parameter	Conditions	Min	Typ	Max ⁽¹⁾	Unit
V _{DD}	Operating voltage Read / Write / Erase		1.65		3.6	V
t _{prog}	Programming time for word or half-page	Erase word/half page		3.28	TBD	ms
		Programmed word/half page		3.28	TBD	
I _{DD}	Supply current during programming / erasing	T _A = 25 °C, V _{DD} = 3.0 V		TBD		mA
		T _A = 25 °C, V _{DD} = 1.8 V		TBD		mA

1. Guaranteed by design, not tested in production.

Table 32. Flash memory endurance and data retention

Symbol	Parameter	Conditions	Value			Unit
			Min ⁽¹⁾	Typ	Max	
N _{CYC} ⁽²⁾	Cycling (erase / write) Program memory	T _A = -40°C to 85 °C	10			kcycles
	Cycling (erase / write) EEPROM data memory	T _A = -40°C to 85 °C	300			
t _{RET} ⁽²⁾	Data retention (program memory) after 10 kcycles at T _A = 85 °C	T _{RET} = +85 °C	30			years
	Data retention (EEPROM data memory) after 300 kcycles at T _A = 85 °C	T _{RET} = +85 °C	30			

1. Based on characterization not tested in production.

2. Characterization is done according to JEDEC JESD22-A117.

6.3.9 EMC characteristics

Susceptibility tests are performed on a sample basis during device characterization.

Functional EMS (electromagnetic susceptibility)

While a simple application is executed on the device (toggling 2 LEDs through I/O ports), the device is stressed by two electromagnetic events until a failure occurs. The failure is indicated by the LEDs:

- **Electrostatic discharge (ESD)** (positive and negative) is applied to all device pins until a functional disturbance occurs. This test is compliant with the IEC 61000-4-2 standard.
- **FTB: A Burst of Fast Transient voltage** (positive and negative) is applied to V_{DD} and V_{SS} through a 100 pF capacitor, until a functional disturbance occurs. This test is compliant with the IEC 61000-4-4 standard.

A device reset allows normal operations to be resumed.

The test results are given in [Table 33](#). They are based on the EMS levels and classes defined in application note AN1709.

Table 33. EMS characteristics

Symbol	Parameter	Conditions	Level/Class
V_{FESD}	Voltage limits to be applied on any I/O pin to induce a functional disturbance	$V_{DD} = 3.3\text{ V}$, LQFP100, $T_A = +25\text{ °C}$, $f_{HCLK} = 32\text{ MHz}$ conforms to IEC 61000-4-2	2B
V_{EFTB}	Fast transient voltage burst limits to be applied through 100 pF on V_{DD} and V_{SS} pins to induce a functional disturbance	$V_{DD} = 3.3\text{ V}$, LQFP100, $T_A = +25\text{ °C}$, $f_{HCLK} = 32\text{ MHz}$ conforms to IEC 61000-4-4	4A

Designing hardened software to avoid noise problems

EMC characterization and optimization are performed at component level with a typical application environment and simplified MCU software. It should be noted that good EMC performance is highly dependent on the user application and the software in particular.

Therefore it is recommended that the user applies EMC software optimization and prequalification tests in relation with the EMC level requested for his application.

Software recommendations

The software flowchart must include the management of runaway conditions such as:

- Corrupted program counter
- Unexpected reset
- Critical data corruption (control registers...)

Prequalification trials

Most of the common failures (unexpected reset and program counter corruption) can be reproduced by manually forcing a low state on the NRST pin or the oscillator pins for 1 second.

To complete these trials, ESD stress can be applied directly on the device, over the range of specification values. When unexpected behavior is detected, the software can be hardened to prevent unrecoverable errors occurring (see application note AN1015).

Electromagnetic Interference (EMI)

The electromagnetic field emitted by the device are monitored while a simple application is executed (toggling 2 LEDs through the I/O ports). This emission test is compliant with IEC 61967-2 standard which specifies the test board and the pin loading.

Table 34. EMI characteristics

Symbol	Parameter	Conditions	Monitored frequency band	Max vs. frequency range			Unit
				4 MHz voltage range 3	16 MHz voltage range 2	32 MHz voltage range 1	
S _{EMI}	Peak level	V _{DD} = 3.3 V, T _A = 25 °C, LQFP100 package compliant with IEC 61967-2	0.1 to 30 MHz	3	-6	-5	dBμV
			30 to 130 MHz	18	4	-7	
			130 MHz to 1GHz	15	5	-7	
			SAE EMI Level	2.5	2	1	-

6.3.10 Absolute maximum ratings (electrical sensitivity)

Based on three different tests (ESD, LU) using specific measurement methods, the device is stressed in order to determine its performance in terms of electrical sensitivity.

Electrostatic discharge (ESD)

Electrostatic discharges (a positive then a negative pulse separated by 1 second) are applied to the pins of each sample according to each pin combination. The sample size depends on the number of supply pins in the device (3 parts × (n+1) supply pins). This test conforms to the JESD22-A114/C101 standard.

Table 35. ESD absolute maximum ratings

Symbol	Ratings	Conditions	Class	Maximum value ⁽¹⁾	Unit
V _{ESD(HBM)}	Electrostatic discharge voltage (human body model)	T _A = +25 °C, conforming to JESD22-A114	2	2000	V
V _{ESD(CDM)}	Electrostatic discharge voltage (charge device model)	T _A = +25 °C, conforming to JESD22-C101	II	500	

1. Based on characterization results, not tested in production.

Static latch-up

Two complementary static tests are required on six parts to assess the latch-up performance:

- A supply overvoltage is applied to each power supply pin
- A current injection is applied to each input, output and configurable I/O pin

These tests are compliant with EIA/JESD 78A IC latch-up standard.

Table 36. Electrical sensitivities

Symbol	Parameter	Conditions	Class
LU	Static latch-up class	T _A = +105 °C conforming to JESD78A	II level A

6.3.11 I/O port characteristics

General input/output characteristics

Unless otherwise specified, the parameters given in [Table 37](#) are derived from tests performed under the conditions summarized in [Table 9](#). All I/Os are CMOS and TTL compliant.

Table 37. I/O static characteristics

Symbol	Parameter	Conditions	Min	Typ	Max	Unit	
V _{IL}	Input low level voltage	TTL ports 2.7 V ≤ V _{DD} ≤ 3.6 V	V _{SS} - 0.3		0.8	V	
V _{IH}	Standard I/O input high level voltage		2		V _{DD} +0.3		
	FT ⁽¹⁾ I/O input high level voltage		2		5.5V		
V _{IL}	Input low level voltage	CMOS ports 1.65 V ≤ V _{DD} ≤ 3.6 V	-0.3		0.3 V _{DD}		
V _{IH}	Standard I/O Input high level voltage		0.7 V _{DD} ⁽²⁾				V _{DD} +0.3
	FT ⁽³⁾ I/O input high level voltage						5.25
		CMOS ports 2.0 V ≤ V _{DD} ≤ 3.6 V			5.5		
V _{hys}	Standard I/O Schmitt trigger voltage hysteresis ⁽⁴⁾		10% V _{DD} ⁽⁵⁾				

Table 37. I/O static characteristics (continued)

Symbol	Parameter	Conditions	Min	Typ	Max	Unit
I _{lkg}	Input leakage current ⁽⁶⁾	V _{SS} ≤ V _{IN} ≤ V _{DD} I/Os with LCD			±50	nA
		V _{SS} ≤ V _{IN} ≤ V _{DD} I/Os with analog switches			±50	
		V _{SS} ≤ V _{IN} ≤ V _{DD} I/Os with analog switches and LCD			±50	
		V _{SS} ≤ V _{IN} ≤ V _{DD} I/Os with USB			TBD	
		V _{SS} ≤ V _{IN} ≤ V _{DD} Standard I/Os			±50	
R _{PU}	Weak pull-up equivalent resistor ⁽⁷⁾	V _{IN} = V _{SS}	30	45	60	kΩ
R _{PD}	Weak pull-down equivalent resistor ⁽⁷⁾	V _{IN} = V _{DD}	30	45	60	kΩ
C _{IO}	I/O pin capacitance			5		pF

1. FT = 5V tolerant. To sustain a voltage higher than V_{DD} + 0.5 the internal pull-up/pull-down resistors must be disabled.
2. 0.7V_{DD} for 5V-tolerant receiver
3. FT = Five-volt tolerant.
4. Hysteresis voltage between Schmitt trigger switching levels. Based on characterization, not tested in production.
5. With a minimum of 200 mV. Based on characterization, not tested in production.
6. The max. value may be exceeded if negative current is injected on adjacent pins.
7. Pull-up and pull-down resistors are designed with a true resistance in series with a switchable PMOS/NMOS. This MOS/NMOS contribution to the series resistance is minimum (~10% order).

Output driving current

The GPIOs (general purpose input/outputs) can sink or source up to ±8 mA, and sink or source up to ±20 mA with the non-standard V_{OL}/V_{OH} specifications given in [Table 38](#).

in the user application, the number of I/O pins which can drive current must be limited to respect the absolute maximum rating specified in [Section 6.2](#):

- The sum of the currents sourced by all the I/Os on V_{DD}, plus the maximum Run consumption of the MCU sourced on V_{DD}, cannot exceed the absolute maximum rating I_{VDD} (see [Table 7](#)).
- The sum of the currents sunk by all the I/Os on V_{SS} plus the maximum Run consumption of the MCU sunk on V_{SS} cannot exceed the absolute maximum rating I_{VSS} (see [Table 7](#)).

Output voltage levels

Unless otherwise specified, the parameters given in [Table 38](#) are derived from tests performed under ambient temperature and V_{DD} supply voltage conditions summarized in [Table 9](#). All I/Os are CMOS and TTL compliant.

Table 38. Output voltage characteristics

Symbol	Parameter	Conditions	Min	Max	Unit
$V_{OL}^{(1)}$	Output low level voltage for an I/O pin when 8 pins are sunk at same time	$I_{IO} = +8 \text{ mA}$ $2.7 \text{ V} < V_{DD} < 3.6 \text{ V}$		0.4	V
$V_{OH}^{(2)}$	Output high level voltage for an I/O pin when 8 pins are sourced at same time		2.4		
$V_{OL}^{(1)}$	Output low level voltage for an I/O pin when 8 pins are sunk at same time	$I_{IO} = +4 \text{ mA}$ $1.65 \text{ V} < V_{DD} < 2.7 \text{ V}$		0.45	
$V_{OH}^{(2)}$	Output high level voltage for an I/O pin when 8 pins are sourced at same time		$V_{DD}-0.45$		
$V_{OL}^{(1)(3)}$	Output low level voltage for an I/O pin when 4 pins are sunk at same time	$I_{IO} = +20 \text{ mA}$ $2.7 \text{ V} < V_{DD} < 3.6 \text{ V}$		1.3	
$V_{OH}^{(2)(3)}$	Output high level voltage for an I/O pin when 4 pins are sourced at same time		$V_{DD}-1.3$		

1. The I_{IO} current sunk by the device must always respect the absolute maximum rating specified in [Table 7](#) and the sum of I_{IO} (I/O ports and control pins) must not exceed I_{VSS} .
2. The I_{IO} current sourced by the device must always respect the absolute maximum rating specified in [Table 7](#) and the sum of I_{IO} (I/O ports and control pins) must not exceed I_{VDD} .
3. Based on characterization data, not tested in production.

Input/output AC characteristics

The definition and values of input/output AC characteristics are given in [Figure 18](#) and [Table 39](#), respectively.

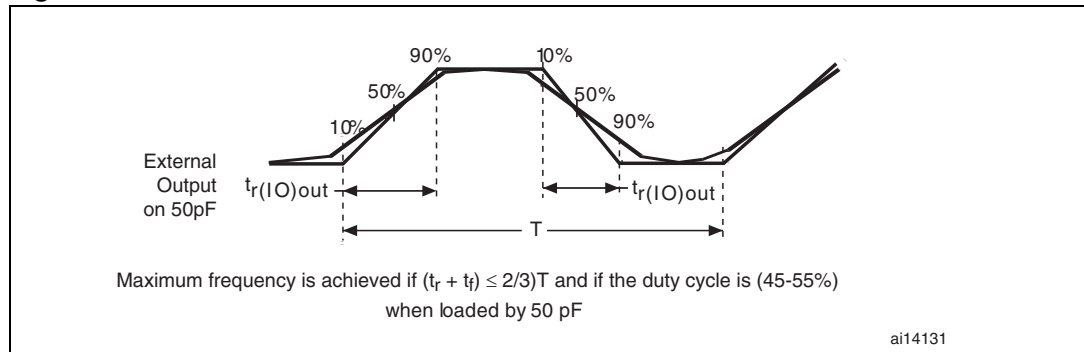
Unless otherwise specified, the parameters given in [Table 39](#) are derived from tests performed under ambient temperature and V_{DD} supply voltage conditions summarized in [Table 9](#).

Table 39. I/O AC characteristics⁽¹⁾

OSPEEDRx [1:0] bit value ⁽¹⁾	Symbol	Parameter	Conditions	Min	Max ⁽²⁾	Unit
00	$f_{\max(\text{IO})\text{out}}$	Maximum frequency ⁽³⁾	$C_L = 50 \text{ pF}, V_{DD} = 2.7 \text{ V to } 3.6 \text{ V}$		400	kHz
			$C_L = 50 \text{ pF}, V_{DD} = 1.65 \text{ V to } 2.7 \text{ V}$		TBD	
	$t_{f(\text{IO})\text{out}}$ $t_{r(\text{IO})\text{out}}$	Output rise and fall time	$C_L = 50 \text{ pF}, V_{DD} = 2.7 \text{ V to } 3.6 \text{ V}$		625	ns
			$C_L = 50 \text{ pF}, V_{DD} = 1.65 \text{ V to } 2.7 \text{ V}$		TBD	
01	$f_{\max(\text{IO})\text{out}}$	Maximum frequency ⁽³⁾	$C_L = 50 \text{ pF}, V_{DD} = 2.7 \text{ V to } 3.6 \text{ V}$		2	MHz
			$C_L = 50 \text{ pF}, V_{DD} = 1.65 \text{ V to } 2.7 \text{ V}$		1	
	$t_{f(\text{IO})\text{out}}$ $t_{r(\text{IO})\text{out}}$	Output rise and fall time	$C_L = 50 \text{ pF}, V_{DD} = 2.7 \text{ V to } 3.6 \text{ V}$		125	ns
			$C_L = 50 \text{ pF}, V_{DD} = 1.65 \text{ V to } 2.7 \text{ V}$		TBD	
10	$F_{\max(\text{IO})\text{out}}$	Maximum frequency ⁽³⁾	$C_L = 50 \text{ pF}, V_{DD} = 2.7 \text{ V to } 3.6 \text{ V}$		10	MHz
			$C_L = 50 \text{ pF}, V_{DD} = 1.65 \text{ V to } 2.7 \text{ V}$		2	
	$t_{f(\text{IO})\text{out}}$ $t_{r(\text{IO})\text{out}}$	Output rise and fall time	$C_L = 50 \text{ pF}, V_{DD} = 2.7 \text{ V to } 3.6 \text{ V}$		25	ns
			$C_L = 50 \text{ pF}, V_{DD} = 1.65 \text{ V to } 2.7 \text{ V}$		TBD	
11	$F_{\max(\text{IO})\text{out}}$	Maximum frequency ⁽³⁾	$C_L = 50 \text{ pF}, V_{DD} = 2.7 \text{ V to } 3.6 \text{ V}$		50	MHz
			$C_L = 50 \text{ pF}, V_{DD} = 1.65 \text{ V to } 2.7 \text{ V}$		8	
	$t_{f(\text{IO})\text{out}}$ $t_{r(\text{IO})\text{out}}$	Output rise and fall time	$C_L = 30 \text{ pF}, V_{DD} = 2.7 \text{ V to } 3.6 \text{ V}$		5	ns
			$C_L = 50 \text{ pF}, V_{DD} = 1.65 \text{ V to } 2.7 \text{ V}$		TBD	
-	$t_{\text{EXTI}pw}$	Pulse width of external signals detected by the EXTI controller		8		ns

1. The I/O speed is configured using the OSPEEDRx[1:0] bits. Refer to the STM32L15xxx reference manual for a description of GPIO Port configuration register.
2. Guaranteed by design. Not tested in production.
3. The maximum frequency is defined in [Figure 18](#).

Figure 18. I/O AC characteristics definition



6.3.12 NRST pin characteristics

The NRST pin input driver uses CMOS technology.

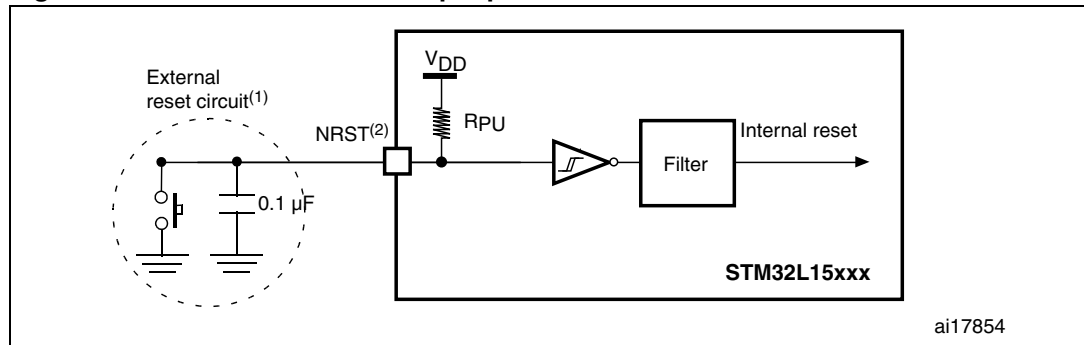
Unless otherwise specified, the parameters given in [Table 40](#) are derived from tests performed under ambient temperature and V_{DD} supply voltage conditions summarized in [Table 9](#).

Table 40. NRST pin characteristics

Symbol	Parameter	Conditions	Min	Typ	Max	Unit
$V_{IL(NRST)}^{(1)}$	NRST input low level voltage		V_{SS}		0.8	V
$V_{IH(NRST)}^{(1)}$	NRST input high level voltage		1.4		V_{DD}	
$V_{OL(NRST)}^{(1)}$	NRST output low level voltage	$I_{OL} = 2 \text{ mA}$ $2.7 \text{ V} < V_{DD} < 3.6 \text{ V}$ $I_{OL} = 1.5 \text{ mA}$ $1.65 \text{ V} < V_{DD} < 2.7 \text{ V}$			0.4	
$V_{hys(NRST)}$	NRST Schmitt trigger voltage hysteresis		$10\%V_{DD}^{(2)}$			mV
R_{PU}	Weak pull-up equivalent resistor ⁽³⁾	$V_{IN} = V_{SS}$	30	45	60	k Ω
$V_F(NRST)^{(1)}$	NRST input filtered pulse				50	ns
$V_{NF(NRST)}^{(1)}$	NRST input not filtered pulse		350			ns

1. Guaranteed by design, not tested in production.
2. 200 mV minimum value
3. The pull-up is designed with a true resistance in series with a switchable PMOS. This PMOS contribution to the series resistance is around 10%.

Figure 19. Recommended NRST pin protection



1. The reset network protects the device against parasitic resets.
2. The user must ensure that the level on the NRST pin can go below the $V_{IL(NRST)}$ max level specified in [Table 40](#). Otherwise the reset will not be taken into account by the device.

6.3.13 TIM timer characteristics

The parameters given in the following table are guaranteed by design.

Refer to [Section 6.3.11: I/O port characteristics](#) for details on the input/output alternate function characteristics (output compare, input capture, external clock, PWM output).

Table 41. TIMx⁽¹⁾ characteristics

Symbol	Parameter	Conditions	Min	Max	Unit
$t_{res(TIM)}$	Timer resolution time		1		$t_{TIMxCLK}$
		$f_{TIMxCLK} = 32 \text{ MHz}$	31.25		ns
f_{EXT}	Timer external clock frequency on CH1 to CH4		0	$f_{TIMxCLK}/2$	MHz
		$f_{TIMxCLK} = 32 \text{ MHz}$	0	16	MHz
Res_{TIM}	Timer resolution			16	bit
$t_{COUNTER}$	16-bit counter clock period when internal clock is selected (timer's prescaler disabled)		1	65536	$t_{TIMxCLK}$
		$f_{TIMxCLK} = 32 \text{ MHz}$	0.0312	2048	μs
t_{MAX_COUNT}	Maximum possible count			65536×65536	$t_{TIMxCLK}$
		$f_{TIMxCLK} = 32 \text{ MHz}$		134.2	s

1. TIMx is used as a general term to refer to the TIM1, TIM2, TIM3 and TIM4 timers.

6.3.14 Communications interfaces

I²C interface characteristics

Unless otherwise specified, the parameters given in [Table 42](#) are derived from tests performed under ambient temperature, f_{PCLK1} frequency and V_{DD} supply voltage conditions summarized in [Table 9](#).

The line I²C interface meets the requirements of the standard I²C communication protocol with the following restrictions: SDA and SCL are not “true” open-drain I/O pins. When configured as open-drain, the PMOS connected between the I/O pin and V_{DD} is disabled, but is still present.

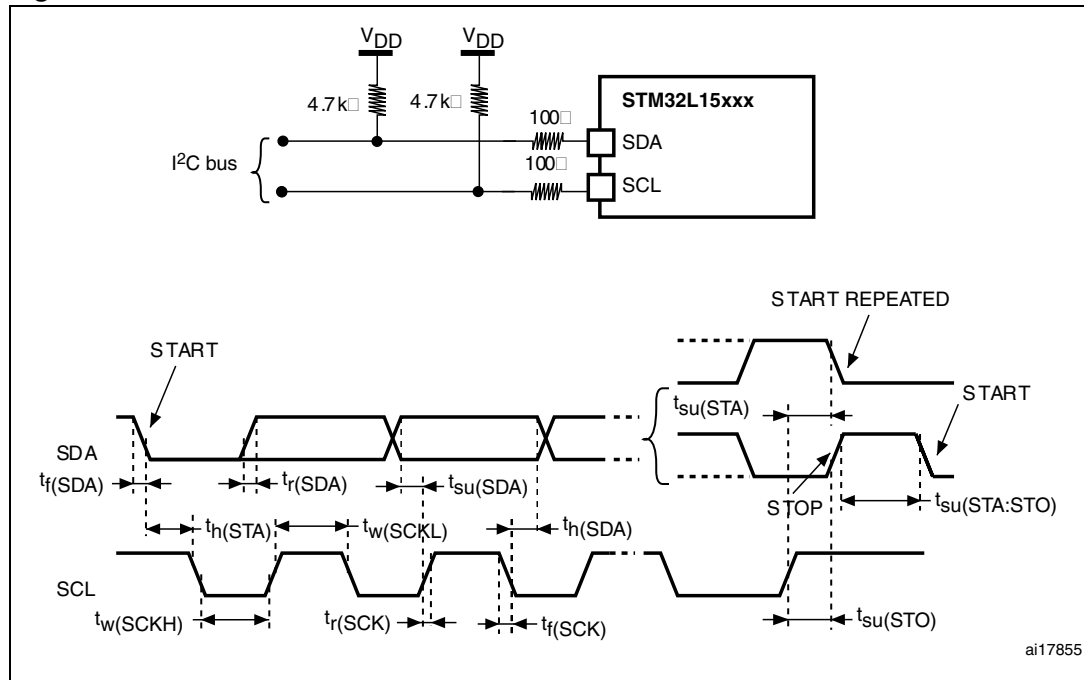
The I²C characteristics are described in [Table 42](#). Refer also to [Section 6.3.11: I/O port characteristics](#) for more details on the input/output alternate function characteristics (SDA and SCL).

Table 42. I²C characteristics

Symbol	Parameter	Standard mode I ² C ⁽¹⁾		Fast mode I ² C ⁽¹⁾⁽²⁾		Unit
		Min	Max	Min	Max	
$t_{w(SCLL)}$	SCL clock low time	4.7		1.3		μs
$t_{w(SCLH)}$	SCL clock high time	4.0		0.6		
$t_{su(SDA)}$	SDA setup time	250		100		ns
$t_h(SDA)$	SDA data hold time	0 ⁽³⁾		0 ⁽⁴⁾	900 ⁽³⁾	
$t_r(SDA)$ $t_r(SCL)$	SDA and SCL rise time		1000	$20 + 0.1C_b$	300	
$t_f(SDA)$ $t_f(SCL)$	SDA and SCL fall time		300		300	
$t_h(STA)$	Start condition hold time	4.0		0.6		μs
$t_{su(STA)}$	Repeated Start condition setup time	4.7		0.6		
$t_{su(STO)}$	Stop condition setup time	4.0		0.6		μs
$t_{w(STO:STA)}$	Stop to Start condition time (bus free)	4.7		1.3		μs
C_b	Capacitive load for each bus line		400		400	pF

1. Guaranteed by design, not tested in production.
2. f_{PCLK1} must be higher than 2 MHz to achieve standard mode I²C frequencies. It must be higher than 4 MHz to achieve fast mode I²C frequencies. It must be a multiple of 10 MHz to reach the 400 kHz maximum I²C fast mode clock.
3. The maximum hold time of the Start condition has only to be met if the interface does not stretch the low period of SCL signal.
4. The device must internally provide a hold time of at least 300 ns for the SDA signal in order to bridge the undefined region of the falling edge of SCL.

Figure 20. I²C bus AC waveforms and measurement circuit



1. Measurement points are done at CMOS levels: $0.3V_{DD}$ and $0.7V_{DD}$.

Table 43. SCL frequency ($f_{PCLK1} = 32 \text{ MHz}$, $V_{DD} = 3.3 \text{ V}$)⁽¹⁾⁽²⁾

f_{SCL} (kHz)	I2C_CCR value
	$R_P = 4.7 \text{ k}\Omega$
400	0x801B
300	0x8024
200	0x8035
100	0x00A0
50	0x0140
20	0x0320

- R_P = External pull-up resistance, f_{SCL} = I²C speed.
- For speeds around 200 kHz, the tolerance on the achieved speed is of $\pm 5\%$. For other speed ranges, the tolerance on the achieved speed is $\pm 2\%$. These variations depend on the accuracy of the external components used to design the application.

SPI characteristics

Unless otherwise specified, the parameters given in the following table are derived from tests performed under ambient temperature, f_{PCLKx} frequency and V_{DD} supply voltage conditions summarized in [Table 9](#).

Refer to [Section 6.3.11: I/O port characteristics](#) for more details on the input/output alternate function characteristics (NSS, SCK, MOSI, MISO).

Table 44. SPI characteristics⁽¹⁾

Symbol	Parameter	Conditions	Min	Max	Unit
f_{SCK} $1/t_{c(SCK)}$	SPI clock frequency	Master mode		16	MHz
		Slave mode		16	
$t_{r(SCK)}$ $t_{f(SCK)}$	SPI clock rise and fall time	Capacitive load: C = 30 pF		TBD	ns
DuCy(SCK)	SPI slave input clock duty cycle	Slave mode	30	70	%
$t_{su(NSS)}^{(2)}$	NSS setup time	Slave mode	$4t_{PCLK}$		ns
$t_{h(NSS)}^{(2)}$	NSS hold time	Slave mode	$2t_{PCLK}$		
$t_{w(SCKH)}^{(2)}$ $t_{w(SCKL)}^{(2)}$	SCK high and low time	Master mode, $f_{PCLK} = 16$ MHz, presc = 4	TBD	TBD	
$t_{su(MI)}^{(2)}$ $t_{su(SI)}^{(2)}$	Data input setup time	Master mode	5		
		Slave mode	5		
$t_{h(MI)}^{(2)}$ $t_{h(SI)}^{(2)}$	Data input hold time	Master mode	5		
		Slave mode	4		
$t_{a(SO)}^{(2)(3)}$	Data output access time	Slave mode, $f_{PCLK} = 20$ MHz	0	$3t_{PCLK}$	
$t_{dis(SO)}^{(2)(4)}$	Data output disable time	Slave mode	TBD	TBD	
$t_{v(SO)}^{(2)(1)}$	Data output valid time	Slave mode (after enable edge)		TBD	
$t_{v(MO)}^{(2)(1)}$	Data output valid time	Master mode (after enable edge)		TBD	
$t_{h(SO)}^{(2)}$ $t_{h(MO)}^{(2)}$	Data output hold time	Slave mode (after enable edge)	TBD		
		Master mode (after enable edge)	TBD		

1. Remapped SPI1 characteristics to be determined.
2. Based on characterization, not tested in production.
3. Min time is for the minimum time to drive the output and max time is for the maximum time to validate the data.
4. Min time is for the minimum time to invalidate the output and max time is for the maximum time to put the data in Hi-Z.

Figure 21. SPI timing diagram - slave mode and CPHA = 0

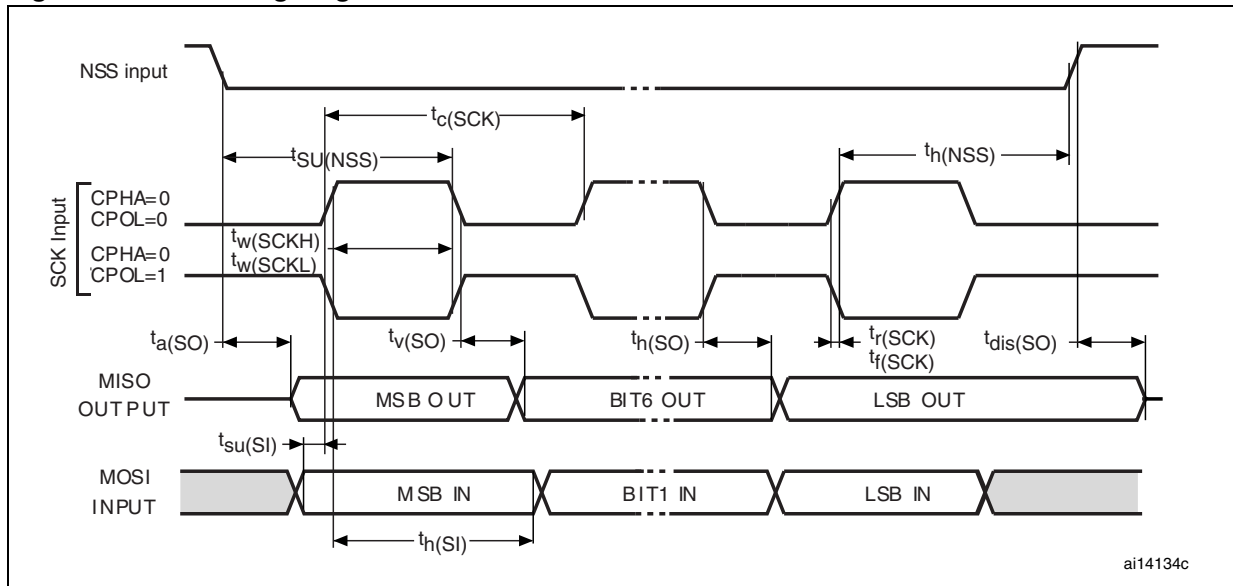
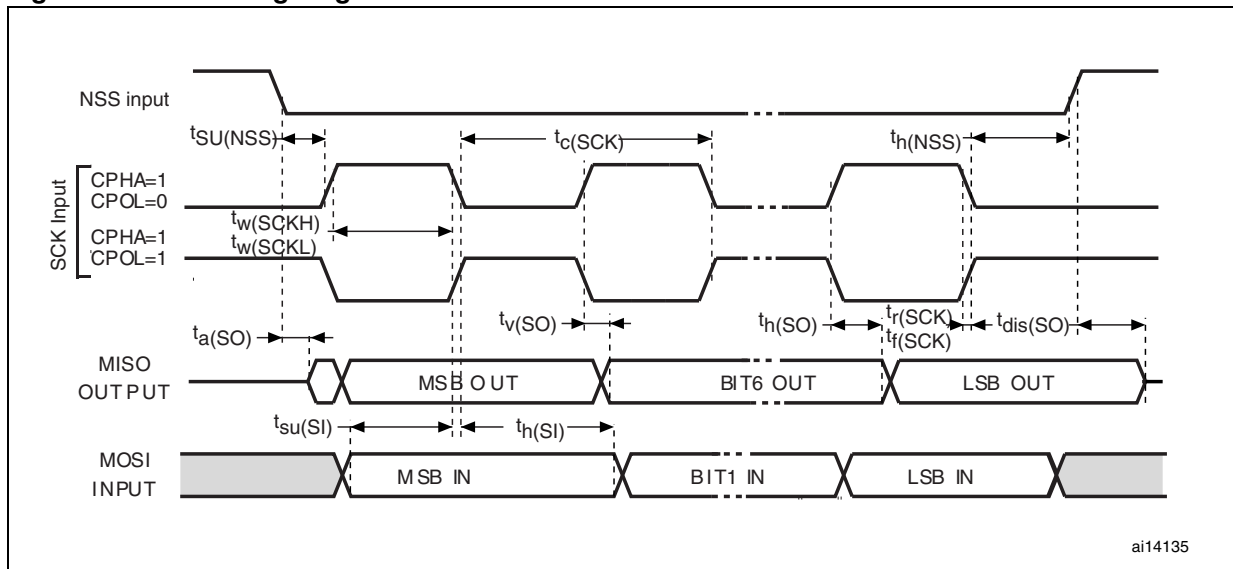
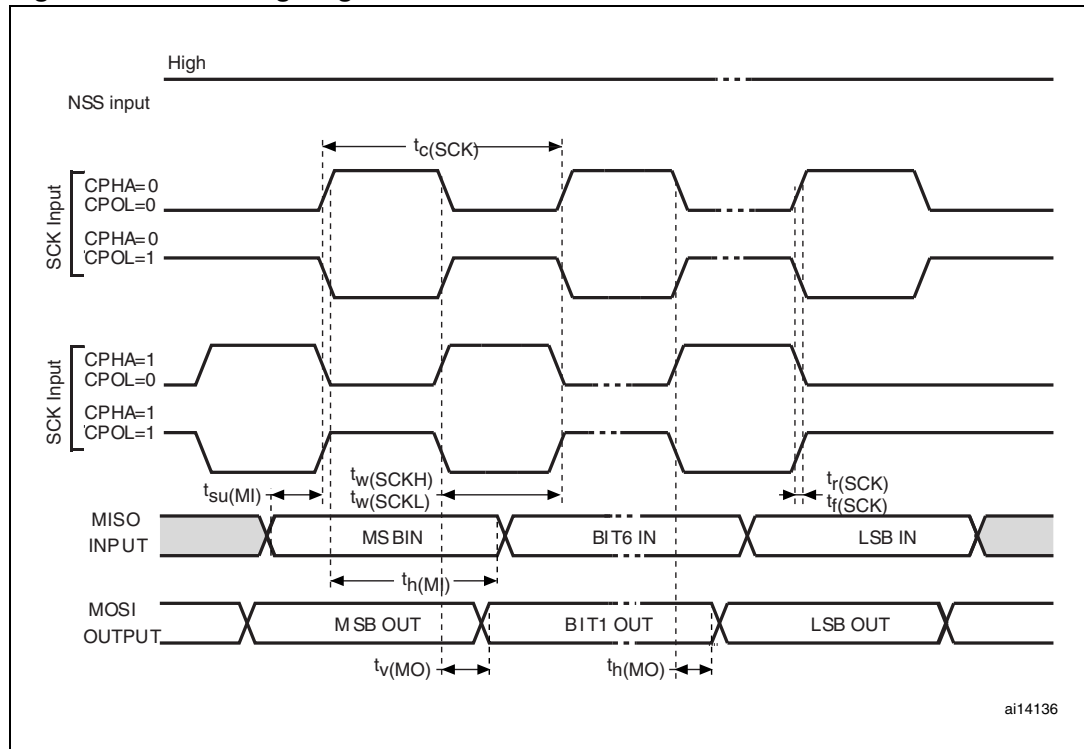


Figure 22. SPI timing diagram - slave mode and CPHA = 1⁽¹⁾



1. Measurement points are done at CMOS levels: 0.3V_{DD} and 0.7V_{DD}.

Figure 23. SPI timing diagram - master mode⁽¹⁾



1. Measurement points are done at CMOS levels: $0.3V_{DD}$ and $0.7V_{DD}$.

USB characteristics

The USB interface is USB-IF certified (Full Speed).

Table 45. USB startup time

Symbol	Parameter	Max	Unit
$t_{STARTUP}^{(1)}$	USB transceiver startup time	1	μs

1. Guaranteed by design, not tested in production.

Table 46. USB DC electrical characteristics

Symbol	Parameter	Conditions	Min. ⁽¹⁾	Max. ⁽¹⁾	Unit
Input levels					
V _{DD}	USB operating voltage ⁽²⁾		3.0 ⁽³⁾	3.6	V
V _{DI} ⁽⁴⁾	Differential input sensitivity	I(USBDP, USBDM)	0.2		V
V _{CM} ⁽⁴⁾	Differential common mode range	Includes V _{DI} range	0.8	2.5	
V _{SE} ⁽⁴⁾	Single ended receiver threshold		1.3	2.0	
Output levels					
V _{OL}	Static output level low	R _L of 1.5 kΩ to 3.6 V ⁽⁵⁾		0.3	V
V _{OH}	Static output level high	R _L of 15 kΩ to V _{SS} ⁽⁵⁾	2.8	3.6	

1. All the voltages are measured from the local ground potential.
2. To be compliant with the USB 2.0 full-speed electrical specification, the USBDP (D+) pin should be pulled up with a 1.5 kΩ resistor to a 3.0-to-3.6 V voltage range.
3. The STM32L15xxx USB functionality is ensured down to 2.7 V but not the full USB electrical characteristics which are degraded in the 2.7-to-3.0 V V_{DD} voltage range.
4. Guaranteed by characterization, not tested in production.
5. R_L is the load connected on the USB drivers.

Figure 24. USB timings: definition of data signal rise and fall time

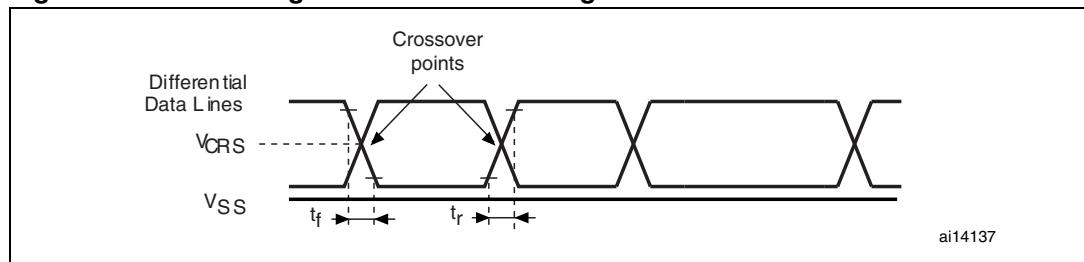


Table 47. USB: full-speed electrical characteristics

Driver characteristics ⁽¹⁾					
Symbol	Parameter	Conditions	Min	Max	Unit
t _r	Rise time ⁽²⁾	C _L = 50 pF	4	20	ns
t _f	Fall Time ⁽²⁾	C _L = 50 pF	4	20	ns
t _{rfm}	Rise/ fall time matching	t _r /t _f	90	110	%
V _{CRS}	Output signal crossover voltage		1.3	2.0	V

1. Guaranteed by design, not tested in production.
2. Measured from 10% to 90% of the data signal. For more detailed informations, please refer to USB Specification - Chapter 7 (version 2.0).

6.3.15 12-bit ADC characteristics

Unless otherwise specified, the parameters given in [Table 49](#) are guaranteed by design.

Table 48. ADC clock frequency

Symbol	Parameter	Conditions		Min	Max	Unit
f _{ADC}	ADC clock frequency	Voltage range 1 & 2	2.4 V ≤ V _{DDA} ≤ 3.6 V	V _{REF+} = V _{DDA}	16	MHz
				V _{REF+} ≠ V _{DDA} V _{REF+} > 2.4 V	8	
			1.8 V ≤ V _{DDA} ≤ 2.4 V	V _{REF+} ≠ V _{DDA} V _{REF+} ≤ 2.4 V	4	
				V _{REF+} = V _{DDA}	8	
		Voltage range 3		V _{REF+} ≠ V _{DDA}	4	
		Voltage range 3			4	

Table 49. ADC characteristics

Symbol	Parameter	Conditions	Min	Typ	Max	Unit
V _{DDA}	Power supply		1.8		3.6	V
V _{REF+}	Positive reference voltage	2.4 V ≤ V _{DDA} ≤ 3.6 V	1.8		V _{DDA}	
V _{REF-}	Negative reference voltage			V _{SSA}		
I _{VDDA}	Current on the V _{DDA} input pin			1000	1450	μA
I _{VREF} ⁽¹⁾	Current on the V _{REF} input pin	Peak		400	700	
		Average			450	
V _{AIN}	Conversion voltage range ⁽²⁾		0 ⁽³⁾		V _{REF+}	V
f _S	12-bit sampling rate	Direct channels	0.03		1	Msps
		Multiplexed channels	0.03		0.76	
	10-bit sampling rate	Direct channels	0.03		1.07	Msps
		Multiplexed channels	0.03		0.8	
	8-bit sampling rate	Direct channels	0.03		1.23	Msps
		Multiplexed channels	0.03		0.89	
	6-bit sampling rate	Direct channels	0.03		1.54	Msps
		Multiplexed channels	0.03		1	

Table 49. ADC characteristics (continued)

Symbol	Parameter	Conditions	Min	Typ	Max	Unit
t _S	Sampling time	Direct channels 2.4 V ≤ V _{DDA} ≤ 3.6 V	0.25 ⁽⁴⁾			μs
		Multiplexed channels 2.4 V ≤ V _{DDA} ≤ 3.6 V	0.56 ⁽⁴⁾			
		Direct channels 1.8 V ≤ V _{DDA} ≤ 2.4 V	0.56 ⁽⁴⁾			
		Multiplexed channels 1.8 V ≤ V _{DDA} ≤ 2.4 V	1 ⁽⁴⁾			
			4		384	1/f _{ADC}
t _{CONV}	Total conversion time (including sampling time)	f _{ADC} = 16 MHz	1		24.75	μs
			4 to 384 (sampling phase) + 12 (successive approximation)			1/f _{ADC}
C _{ADC}	Internal sample and hold capacitor	Direct channels		16		pF
		Multiplexed channels				
f _{TRIG}	External trigger frequency Regular sequencer	12-bit conversions			T _{conv} +1	1/f _{ADC}
		6/8/10-bit conversions			T _{conv}	1/f _{ADC}
f _{TRIG}	External trigger frequency Injected sequencer	12-bit conversions			T _{conv} +2	1/f _{ADC}
		6/8/10-bit conversions			T _{conv} +1	1/f _{ADC}
R _{AIN} ⁽⁵⁾	External input impedance				50	kΩ
					0.5	
t _{lat}	Injection trigger conversion latency	f _{ADC} = 16 MHz	219		281	ns
			3.5		4.5	1/f _{ADC}
t _{latr}	Regular trigger conversion latency	f _{ADC} = 16 MHz	156		219	ns
			2.5		3.5	1/f _{ADC}
t _{STAB}	Power-up time				3.5	μs

- The current consumption through VREF is composed of two parameters:
 - one constant (max 300 μA)
 - one variable (max 400 μA), only during sampling time + 2 first conversion pulses.
 So, peak consumption is 300+400 = 700 μA and average consumption is 300 + [(4 sampling + 2) / 16] x 400 = 450 μA at 1MSPS
- V_{REF+} can be internally connected to V_{DDA} and V_{REF-} can be internally connected to V_{SSA}, depending on the package. Refer to [Section 4: Pin descriptions](#) for further details.
- V_{SSA} or V_{REF-} must be tied to ground.
- Minimum sampling and conversion time is reached for maximum R_{ext} = 0.5 kΩ.
- For 1 MSPS, maximum R_{ext} is 0.5 kΩ.

Table 50. ADC accuracy⁽¹⁾⁽²⁾

Symbol	Parameter	Test conditions	Typ	Max ⁽³⁾	Unit
ET	Total unadjusted error	$2.4\text{ V} \leq V_{DDA} \leq 3.6\text{ V}$ $2.4\text{ V} \leq V_{REF+} \leq 3.6\text{ V}$ $f_{ADC} = 16\text{ MHz}$, $R_{AIN} = 50\ \Omega$ $T_A = -40\text{ to }105\text{ }^\circ\text{C}$	2	4	LSB
EO	Offset error		1	2	
EG	Gain error		1.5	3.5	
ED	Differential linearity error		1	2	
EL	Integral linearity error		1.7	3	
ENOB	Effective number of bits	$2.4\text{ V} \leq V_{DDA} \leq 3.6\text{ V}$	10	±TBD	bits
SINAD	Signal-to-noise and distortion ratio	$V_{DDA} = V_{REF+}$ $f_{ADC} = 16\text{ MHz}$, $R_{AIN} = 50\ \Omega$ $T_A = -40\text{ to }105\text{ }^\circ\text{C}$	62	±TBD	dB
SNR	Signal-to-noise ratio	$1\text{ kHz} \leq F_{input} \leq 100\text{ kHz}$	62	±TBD	
THD	Total harmonic distortion		-75	±TBD	
ET	Total unadjusted error		4	6.5	
EO	Offset error	$2.4\text{ V} \leq V_{DDA} \leq 3.6\text{ V}$ $1.8\text{ V} \leq V_{REF+} \leq 2.4\text{ V}$ $f_{ADC} = 16\text{ MHz}$, $R_{AIN} = 50\ \Omega$ $T_A = -40\text{ to }105\text{ }^\circ\text{C}$	2	4	LSB
EG	Gain error		4	6	
ED	Differential linearity error		1	2	
EL	Integral linearity error		1.5	3	
ENOB	Effective number of bits			±TBD	
SINAD	Signal-to-noise and distortion ratio		±TBD	±TBD	dB
SNR	Signal-to-noise ratio		±TBD	±TBD	
THD	Total harmonic distortion		±TBD	±TBD	
ET	Total unadjusted error		2	3	
EO	Offset error	$1.8\text{ V} \leq V_{DDA} \leq 2.4\text{ V}$ $1.8\text{ V} \leq V_{REF+} \leq 2.4\text{ V}$ $f_{ADC} = 16\text{ MHz}$, $R_{AIN} = 50\ \Omega$ $T_A = -40\text{ to }105\text{ }^\circ\text{C}$	1	1.5	LSB
EG	Gain error		1.5	2	
ED	Differential linearity error		1	2	
EL	Integral linearity error		1	1.5	
ENOB	Effective number of bits			±TBD	
SINAD	Signal-to-noise and distortion ratio		±TBD	±TBD	dB
SNR	Signal-to-noise ratio		±TBD	±TBD	
THD	Total harmonic distortion		±TBD	±TBD	

1. ADC DC accuracy values are measured after internal calibration.
2. ADC accuracy vs. negative injection current: injecting negative current on any of the standard (non-robust) analog input pins should be avoided as this significantly reduces the accuracy of the conversion being performed on another analog input. It is recommended to add a Schottky diode (pin to ground) to standard analog pins which may potentially inject negative current. Any positive injection current within the limits specified for $I_{INJ(PIN)}$ and $\Sigma I_{INJ(PIN)}$ in [Section 6.3.11](#) does not affect the ADC accuracy.
3. Based on characterization, not tested in production.

Figure 25. ADC accuracy characteristics

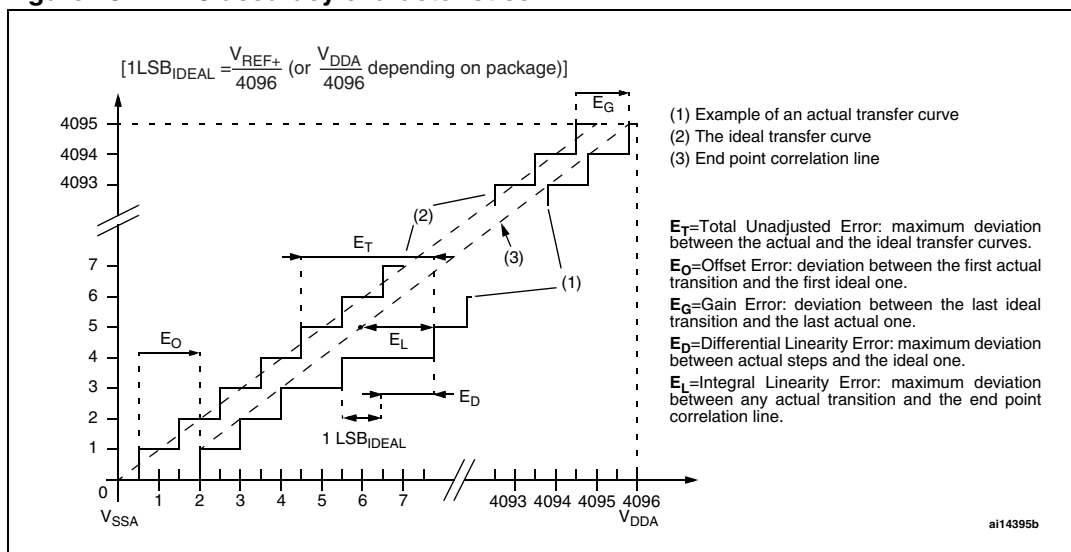
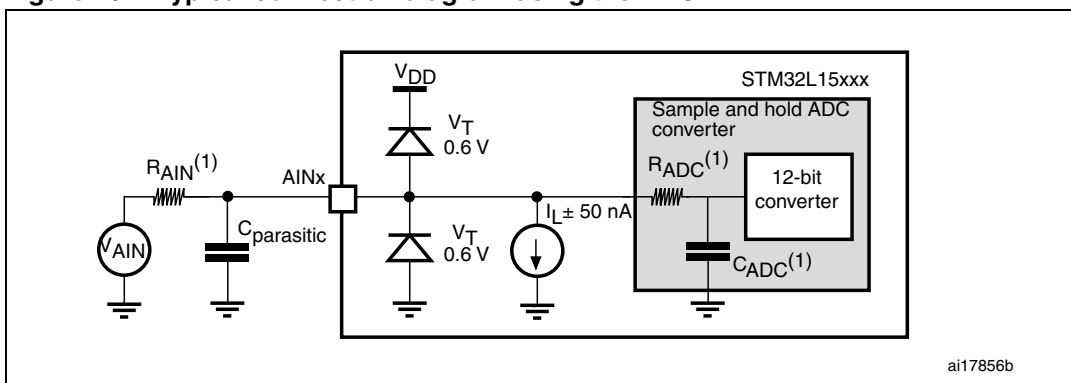


Figure 26. Typical connection diagram using the ADC



1. Refer to [Table 49](#) for the values of R_{AIN} , R_{ADC} and C_{ADC} .
2. $C_{\text{parasitic}}$ represents the capacitance of the PCB (dependent on soldering and PCB layout quality) plus the pad capacitance (roughly 7 pF). A high $C_{\text{parasitic}}$ value will downgrade conversion accuracy. To remedy this, f_{ADC} should be reduced.

Figure 27. Maximum dynamic current consumption on V_{REF+} supply pin during ADC conversion

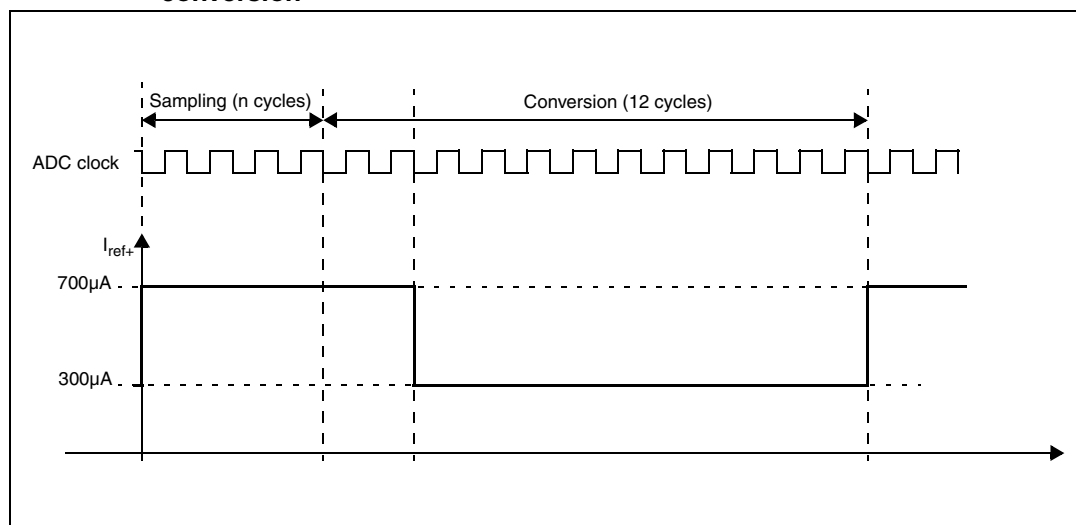


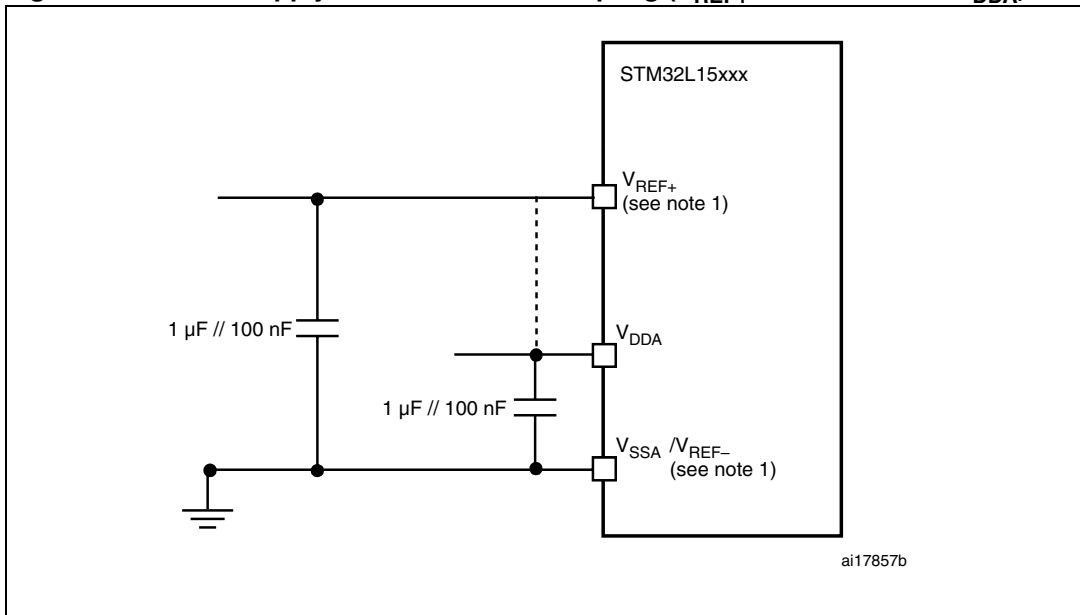
Table 51. R_{AIN} max for f_{ADC} = 16 MHz(1)

Ts (cycles)	Ts (µs)	R _{AIN} max (kohm)			
		Multiplexed channels		Direct channels	
		2.4 V < V _{DDA} < 3.6 V	1.8 V < V _{DDA} < 2.4 V	2.4 V < V _{DDA} < 3.3 V	1.8 V < V _{DDA} < 2.4 V
4	0.25	Not allowed	Not allowed	0.7	Not allowed
9	0.5625	0.8	Not allowed	2.0	1.0
16	1	2.0	0.8	4.0	3.0
24	1.5	3.0	1.8	6.0	4.5
48	3	6.8	4.0	15.0	10.0
96	6	15.0	10.0	30.0	20.0
192	12	32.0	25.0	50.0	40.0
384	24	50.0	50.0	50.0	50.0

General PCB design guidelines

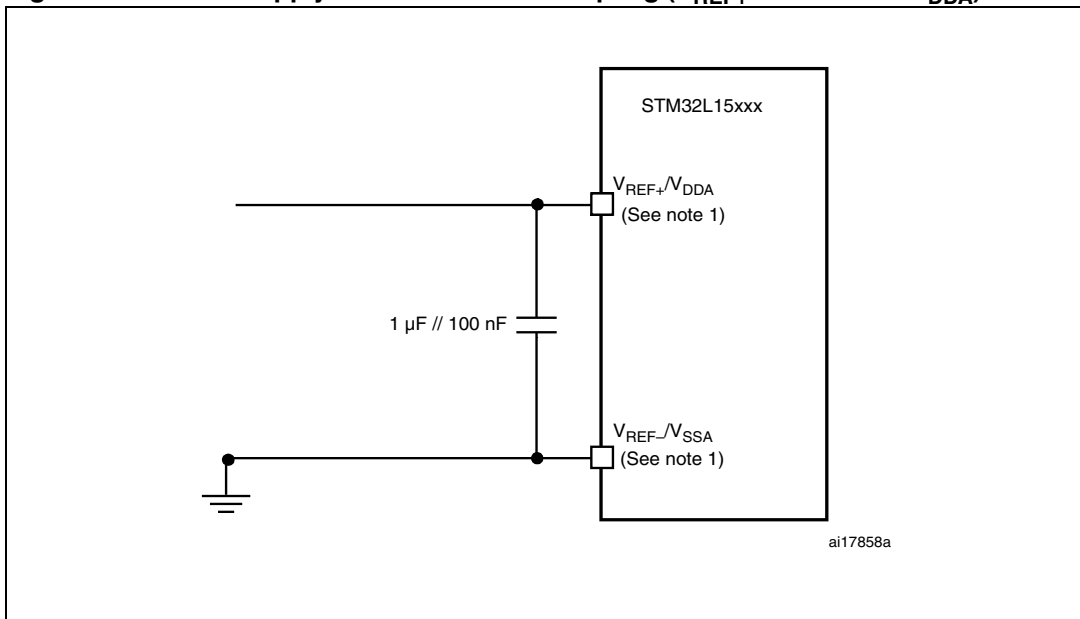
Power supply decoupling should be performed as shown in [Figure 28](#) or [Figure 29](#), depending on whether V_{REF+} is connected to V_{DDA} or not. The 10 nF capacitors should be ceramic (good quality). They should be placed as close as possible to the chip.

Figure 28. Power supply and reference decoupling (V_{REF+} not connected to V_{DDA})



1. V_{REF+} and V_{REF-} inputs are available only on 100-pin packages.

Figure 29. Power supply and reference decoupling (V_{REF+} connected to V_{DDA})



1. V_{REF+} and V_{REF-} inputs are available only on 100-pin packages.

6.3.16 DAC electrical specifications

Data guaranteed by design, not tested in production, unless otherwise specified.

Table 52. DAC characteristics

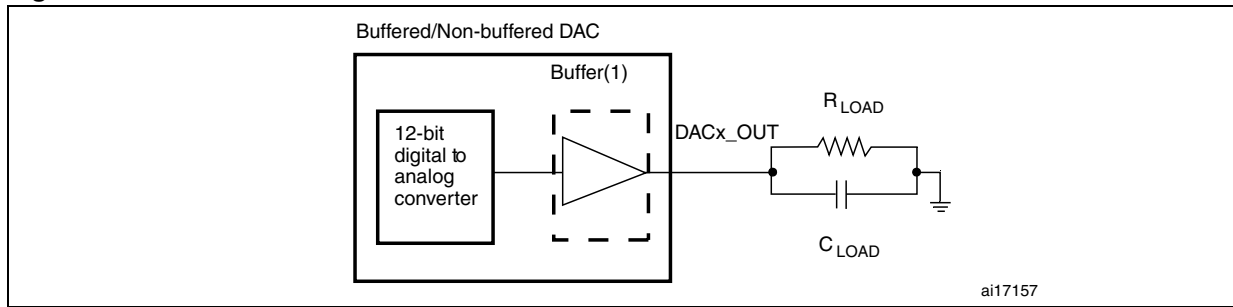
Symbol	Parameter	Conditions	Min	Typ	Max	Unit
V_{DDA}	Analog supply voltage		1.8		3.6	V
V_{REF+}	Reference supply voltage	V_{REF+} must always be below V_{DDA}	1.8		3.6	
V_{REF-}	Lower reference voltage		V_{SSA}			
$I_{DDVREF+}^{(1)}$	Current consumption on V_{REF+} supply $V_{REF+} = 3.3$ V	No load, middle code (0x800)		130	220	μ A
		No load, worst code (0x000)		220	350	
$I_{DDA}^{(1)}$	Current consumption on V_{DDA} supply $V_{DDA} = 3.3$ V	No load, middle code (0x800)		210	320	
		No load, worst code (0xF1C)		320	520	
$R_L^{(2)}$	Resistive load	DAC output buffer ON	5			k Ω
$C_L^{(2)}$	Capacitive load				50	pF
R_O	Output impedance	DAC output buffer OFF		8	10	k Ω
V_{DAC_OUT}	Voltage on DAC_OUT output	DAC output buffer ON	0.2		$V_{DDA} - 0.2$	V
		DAC output buffer OFF	0.5		$V_{REF+} - 1\text{LSB}$	mV
DNL ⁽¹⁾	Differential non linearity ⁽³⁾	$C_L \leq 50$ pF, $R_L \geq 5$ k Ω DAC output buffer ON		1.5	3	LSB
		No R_{LOAD} , $C_L \leq 50$ pF DAC output buffer OFF		1.5	3	
INL ⁽¹⁾	Integral non linearity ⁽⁴⁾	$C_L \leq 50$ pF, $R_L \geq 5$ k Ω DAC output buffer ON		2	4	
		No R_{LOAD} , $C_L \leq 50$ pF DAC output buffer OFF		2	4	
Offset ⁽¹⁾	Offset error ⁽⁵⁾	$C_L \leq 50$ pF, $R_L \geq 5$ k Ω DAC output buffer ON		± 10	± 25	
		No R_{LOAD} , $C_L \leq 50$ pF DAC output buffer OFF		± 5	± 8	
Offset1 ⁽¹⁾	Offset error at Code 1 ⁽⁶⁾	No R_{LOAD} , $C_L \leq 50$ pF DAC output buffer OFF		± 1.5	± 5	

Table 52. DAC characteristics (continued)

Symbol	Parameter	Conditions	Min	Typ	Max	Unit
Gain ⁽¹⁾	Gain error ⁽⁷⁾	C _L ≤ 50 pF, R _L ≥ 5 kΩ DAC output buffer ON		+0.1 / -0.2%	+0.2 / -0.5%	%
		No R _{LOAD} , C _L ≤ 50 pF DAC output buffer OFF		+0 / -0.2%	+0 / -0.4%	
TUE ⁽¹⁾	Total unadjusted error	C _L ≤ 50 pF, R _L ≥ 5 kΩ DAC output buffer ON		12	30	LSB
		No R _{LOAD} , C _L ≤ 50 pF DAC output buffer OFF		8	12	
t _{SETTLING}	Settling time (full scale: for a 12-bit code transition between the lowest and the highest input codes till DAC_OUT reaches final value ±1LSB)	C _L ≤ 50 pF, R _L ≥ 5 kΩ		7	12	μs
Update rate	Max frequency for a correct DAC_OUT change (95% of final value) with 1 LSB variation in the input code	C _L ≤ 50 pF, R _L ≥ 5 kΩ			1	Msp/s
t _{WAKEUP}	Wakeup time from off state (setting the ENx bit in the DAC Control register) ⁽⁸⁾	C _L ≤ 50 pF, R _L ≥ 5 kΩ		9	15	μs
PSRR+	V _{DDA} supply rejection ratio (static DC measurement)	C _L ≤ 50 pF, R _L ≥ 5 kΩ		-60	-35	dB

1. Data based on characterization results.
2. Connected between DAC_OUT and V_{SSA}.
3. Difference between two consecutive codes - 1 LSB.
4. Difference between measured value at Code i and the value at Code i on a line drawn between Code 0 and last Code 1023.
5. Difference between the value measured at Code (0x800) and the ideal value = V_{REF+}/2.
6. Difference between the value measured at Code (0x001) and the ideal value.
7. Difference between ideal slope of the transfer function and measured slope computed from code 0x000 and 0xFFFF when buffer is OFF, and from code giving 0.2 V and (V_{DDA} - 0.2) V when buffer is ON.
8. In buffered mode, the output can overshoot above the final value for low input code (starting from min value).

Figure 30. 12-bit buffered /non-buffered DAC



1. The DAC integrates an output buffer that can be used to reduce the output impedance and to drive external loads directly without the use of an external operational amplifier. The buffer can be bypassed by configuring the BOFFx bit in the DAC_CR register.

6.3.17 Temperature sensor characteristics

Table 53. TS characteristics

Symbol	Parameter	Min	Typ	Max	Unit
$T_L^{(1)}$	V_{SENSE} linearity with temperature		± 1	± 2	$^{\circ}C$
Avg_Slope	Average slope	1.59	1.62	1.65	mV/ $^{\circ}C$
V_{90}	Voltage at $90^{\circ}C \pm 5^{\circ}C^{(2)}$	580	597	614	V
$I_{DDA(TEMP)}$	Current consumption		3.4	6	μA
$t_{START}^{(3)}$	Startup time			10	μs
$T_{S_temp}^{(4)(3)}$	ADC sampling time when reading the temperature		5	10	

1. Guaranteed by characterization, not tested in production.
2. Measured at $V_{DD} = 3 V \pm 10 mV$. V_{90} ADC conversion result is stored in the TS_Factory_CONV_V90 byte.
3. Guaranteed by design, not tested in production.
4. Shortest sampling time can be determined in the application by multiple iterations.

6.3.18 Comparator

Table 54. Comparator 1 characteristics

Symbol	Parameter	Min	Typ	Max ⁽¹⁾	Unit
V _{DDA}	Analog supply voltage	1.65		3.6	V
R _{400K}	R _{400K} value		400		kΩ
R _{10K}	R _{10K} value		10		
V _{IN}	Comparator 1 input voltage range	0.6		V _{DDA}	V
t _{START}	Comparator startup time		7	10	μs
t _d	Propagation delay ⁽²⁾		3	10	
V _{offset}	Comparator offset error		±3	±10	mV
I _{COMP1}	Current consumption ⁽³⁾		160	260	nA

1. Based on characterization, not tested in production.
2. The delay is characterized for 100 mV input step with 10 mV overdrive on the inverting input, the non-inverting input set to the reference.
3. Comparator consumption only. Internal reference voltage not included.

Table 55. Comparator 2 characteristics

Symbol	Parameter	Conditions	Min	Typ	Max ⁽¹⁾	Unit
V _{DDA}	Analog supply voltage		1.65		3.6	V
V _{IN}	Comparator 2 input voltage range		0		V _{DDA}	V
t _{START}	Comparator startup time	Fast mode		15	20	μs
		Slow mode		20	25	
t _{d slow}	Propagation delay ⁽²⁾ in slow mode	1.65 V ≤ V _{DDA} ≤ 2.7 V		1.8	3.5	
		2.7 V ≤ V _{DDA} ≤ 3.6 V		2.5	6	
t _{d fast}	Propagation delay ⁽³⁾ in fast mode	1.65 V ≤ V _{DDA} ≤ 2.7 V		0.8	2	
		2.7 V ≤ V _{DDA} ≤ 3.6 V		1.2	4	
V _{offset}	Comparator offset error			±4	±20	mV
I _{COMP2}	Current consumption ⁽⁴⁾	Fast mode		3.5	5	μA
		Slow mode		0.5	2	

1. Based on characterization, not tested in production.
2. The delay is characterized for 100 mV input step with 10 mV overdrive on the inverting input, the non-inverting input set to the reference.
3. The delay is characterized for 100 mV input step with 10 mV overdrive on the inverting input, the non-inverting input set to the reference.
4. Comparator consumption only. Internal reference voltage not included.

6.3.19 LCD controller (STM32L152xx only)

The STM32L152xx embeds a built-in step-up converter to provide a constant LCD reference voltage independently from the V_{DD} voltage. An external capacitor C_{ext} must be connected to the V_{LCD} pin to decouple this converter.

Table 56. LCD controller characteristics

Symbol	Parameter	Min	Typ	Max	Unit
V_{LCD}	LCD external voltage			3.6	V
V_{LCD0}	LCD internal reference voltage 0		2.6		
V_{LCD1}	LCD internal reference voltage 1		2.7		
V_{LCD2}	LCD internal reference voltage 2		2.8		
V_{LCD3}	LCD internal reference voltage 3		2.9		
V_{LCD4}	LCD internal reference voltage 4		3		
V_{LCD5}	LCD internal reference voltage 5		3.1		
V_{LCD6}	LCD internal reference voltage 6		3.2		
V_{LCD7}	LCD internal reference voltage 7		3.3		
C_{ext}	V_{LCD} external capacitance	0.1		2	μF
$I_{LCD}^{(1)}$	Supply current at $V_{DD} = 2.2 V$		3.3		μA
	Supply current at $V_{DD} = 3.0 V$		3.1		
R_H	Low drive resistive network		1.65		$M\Omega$
R_L	High drive resistive network		60		$k\Omega$
V_{44}	Segment/Common highest level voltage			V_{LCD}	V
V_{34}	Segment/Common 3/4 level voltage		$3/4 V_{LCD}$		V
V_{23}	Segment/Common 2/3 level voltage		$2/3 V_{LCD}$		
V_{12}	Segment/Common 1/2 level voltage		$1/2 V_{LCD}$		
V_{13}	Segment/Common 1/3 level voltage		$1/3 V_{LCD}$		
V_{14}	Segment/Common 1/4 level voltage		$1/4 V_{LCD}$		V
V_0	Segment/Common lowest level voltage	0			V

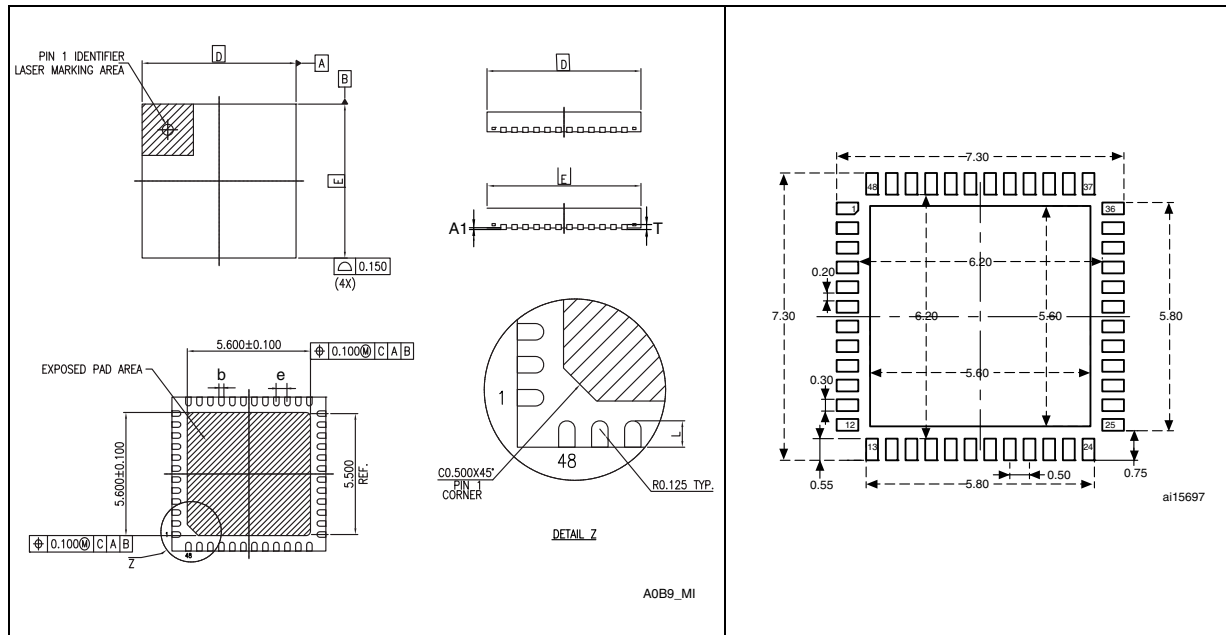
1. LCD enabled with 3 V internal step-up active, 1/8 duty, 1/4 bias, division ratio= 64, all pixels active, no LCD connected

7 Package characteristics

7.1 Package mechanical data

In order to meet environmental requirements, ST offers these devices in different grades of ECOPACK[®] packages, depending on their level of environmental compliance. ECOPACK[®] specifications, grade definitions and product status are available at: www.st.com. ECOPACK[®] is an ST trademark.

Figure 31. UFQFPN48 7 x 7 mm, 0.5 mm pitch, package outline⁽¹⁾⁽²⁾⁽³⁾ **Figure 32. Recommended footprint (dimensions in mm)⁽¹⁾**



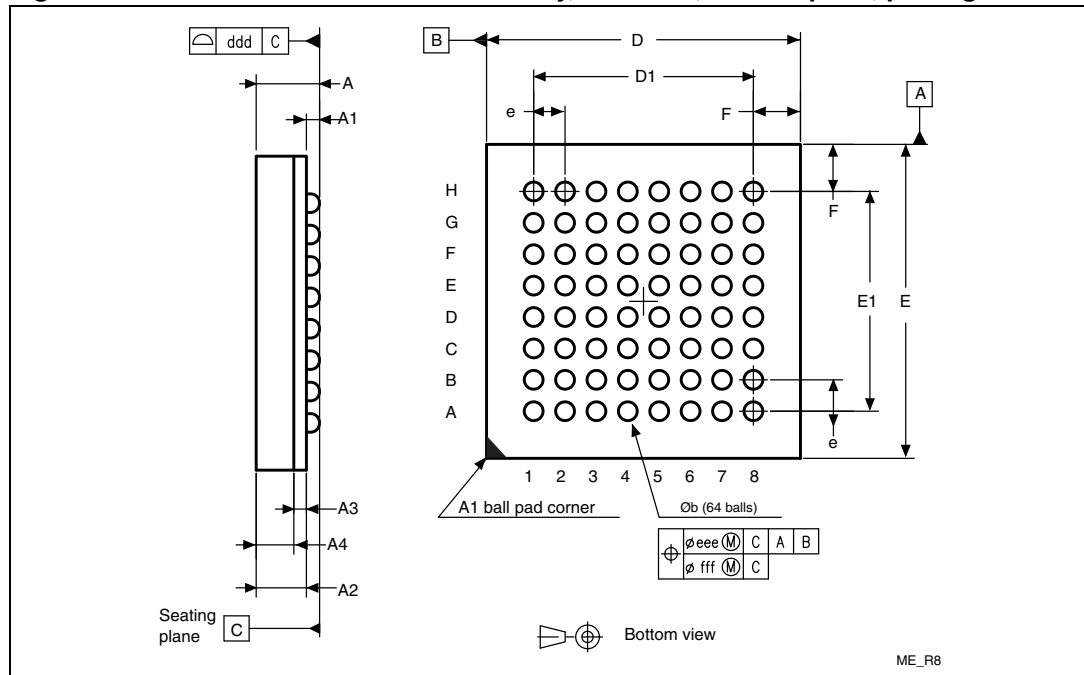
1. Drawing is not to scale.
2. All leads/pads should also be soldered to the PCB to improve the lead/pad solder joint life.
3. There is an exposed die pad on the underside of the UFQFPN package. It is recommended to connect and solder this back-side pad to PCB ground.

Table 57. UFQFPN48 – ultra thin fine pitch quad flat pack no-lead 7 × 7 mm, 0.5 mm pitch package mechanical data

Symbol	millimeters			inches ⁽¹⁾		
	Typ	Min	Max	Typ	Min	Max
A	0.500	0.550	0.600	0.0197	0.0217	0.0236
A1	0.000	0.020	0.050	0.0000	0.0008	0.0020
D	6.900	7.000	7.100	0.2717	0.2756	0.2795
E	6.900	7.000	7.100	0.2717	0.2756	0.2795
L	0.300	0.400	0.500	0.0118	0.0157	0.0197
T		0.152			0.0060	
b	0.200	0.250	0.300	0.0079	0.0098	0.0118
e		0.500			0.0197	

1. Values in inches are converted from mm and rounded to 4 decimal digits.

Figure 33. TFBGA64 - 8 x 8 active ball array, 5 x 5 mm, 0.5 mm pitch, package outline



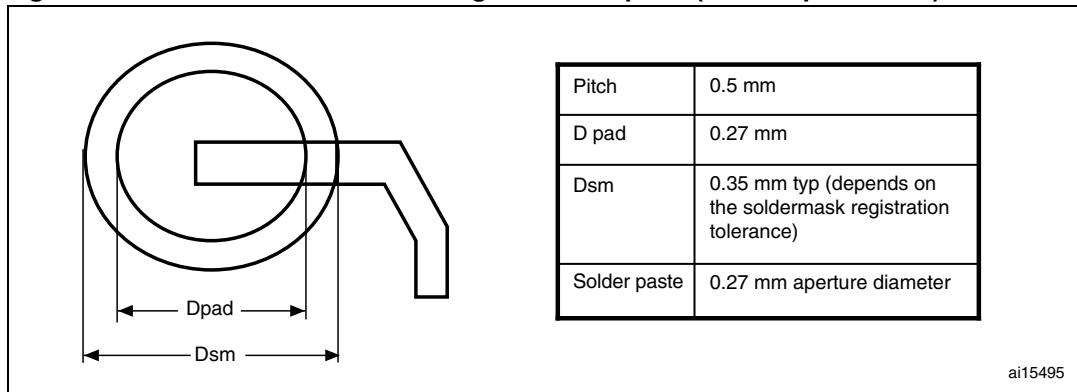
1. Drawing is not to scale.

Table 58. TFBGA64 - 8 x 8 active ball array, 5 x 5 mm, 0.5 mm pitch, package mechanical data

Symbol	millimeters			inches ⁽¹⁾		
	Min	Typ	Max	Min	Typ	Max
A			1.200			0.0472
A1	0.150			0.0059		
A2		0.785			0.0309	
A3		0.200			0.0079	
A4			0.600			0.0236
b	0.250	0.300	0.350	0.0098	0.0118	0.0138
D	4.850	5.000	5.150	0.1909	0.1969	0.2028
D1		3.500			0.1378	
E	4.850	5.000	5.150	0.1909	0.1969	0.2028
E1		3.500			0.1378	
e		0.500			0.0197	
F		0.750			0.0295	
ddd		0.080			0.0031	
eee		0.150			0.0059	
fff		0.050			0.0020	

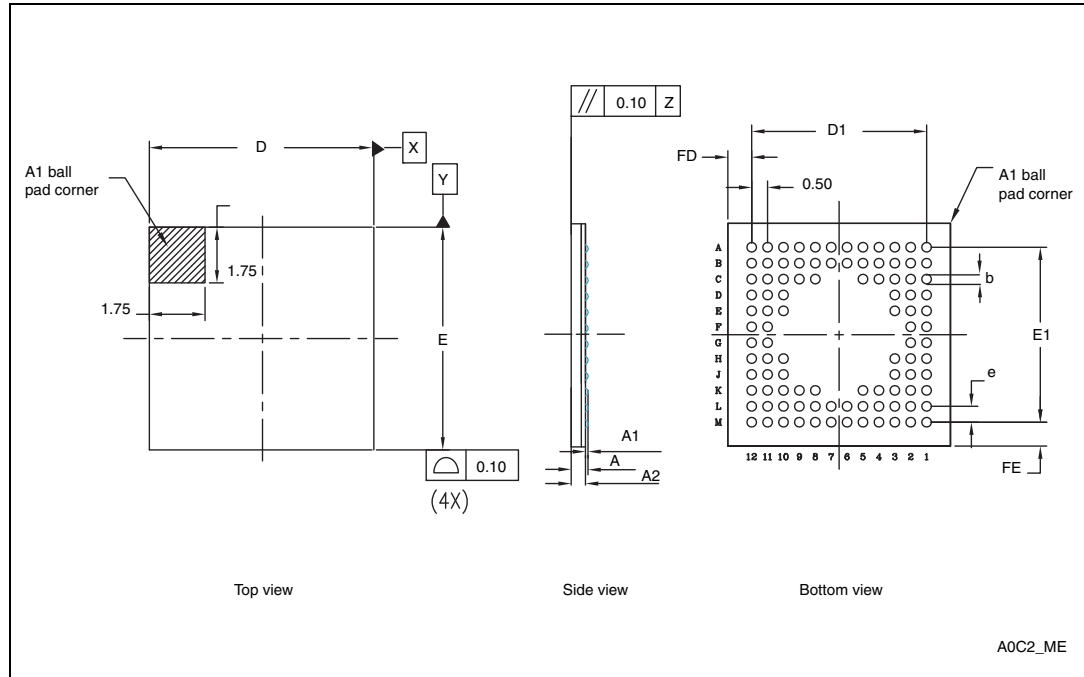
1. Values in inches are converted from mm and rounded to 4 decimal digits.

Figure 34. Recommended PCB design rules for pads (0.5 mm pitch BGA)



1. Non solder mask defined (NSMD) pads are recommended
2. 4 to 6 mils solder paste screen printing process

Figure 35. UFBGA100 - ultra fine pitch ball grid array, 7 x 7 mm, 0.50 mm pitch, package outline



1. Drawing is not to scale.

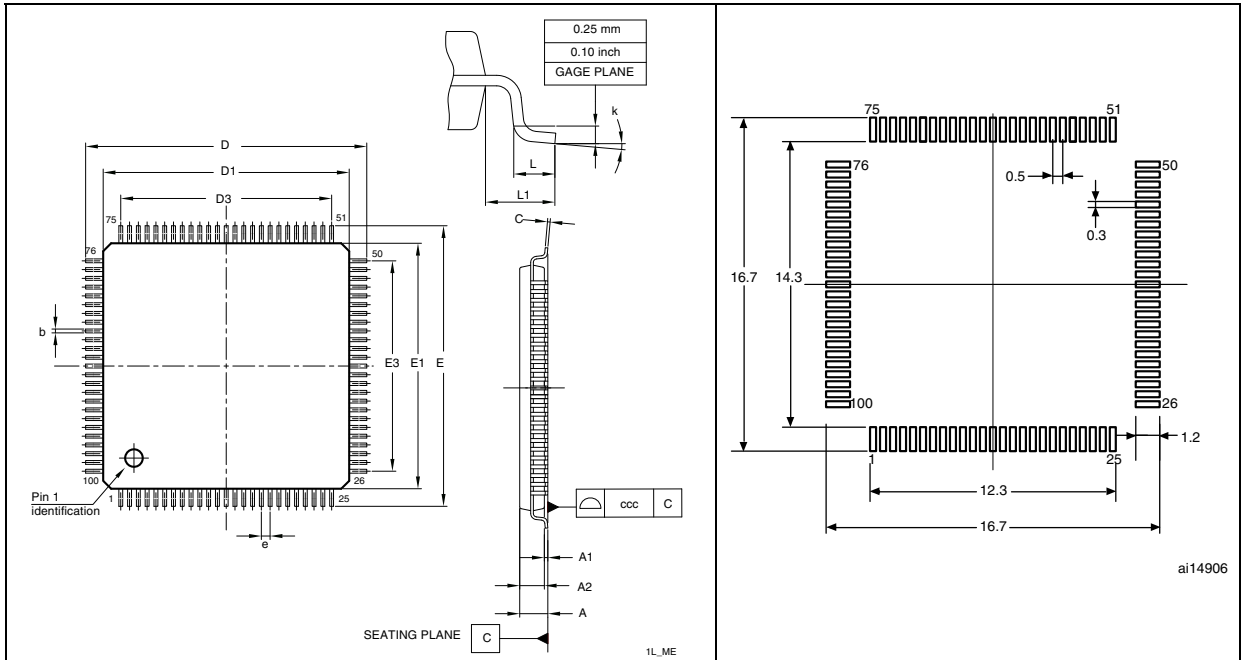
Table 59. UFBGA100 - ultra fine pitch ball grid array, 7 x 7 mm, 0.50 mm pitch, package mechanical data

Symbol	millimeters			inches ⁽¹⁾		
	Min	Typ	Max	Min	Typ	Max
A	0.46	0.53	0.6	0.0181	0.0209	0.0236
A1	0.06	0.08	0.1	0.0024	0.0031	0.0039
A2	0.4	0.45	0.5	0.0157	0.0177	0.0197
b	0.2	0.25	0.3	0.0079	0.0098	0.0118
D		7			0.2756	
D1		5.5			0.2165	
E		7			0.2756	
E1		5.5			0.2165	
e		0.5			0.0197	
FD		0.75			0.0295	
FE		0.75			0.0295	

1. Values in inches are converted from mm and rounded to 4 decimal digits.

Figure 36. LQFP100, 14 x 14 mm, 100-pin low-profile quad flat package outline⁽¹⁾

Figure 37. Recommended footprint⁽¹⁾⁽²⁾



1. Drawing is not to scale.
2. Dimensions are in millimeters.

Table 60. LQFP100, 14 x 14 mm, 100-pin low-profile quad flat package mechanical data

Symbol	millimeters			inches ⁽¹⁾		
	Min	Typ	Max	Min	Typ	Max
A			1.6			0.063
A1	0.05		0.15	0.002		0.0059
A2	1.35	1.4	1.45	0.0531	0.0551	0.0571
b	0.17	0.22	0.27	0.0067	0.0087	0.0106
c	0.09		0.2	0.0035		0.0079
D	15.8	16	16.2	0.622	0.6299	0.6378
D1	13.8	14	14.2	0.5433	0.5512	0.5591
D3		12			0.4724	
E	15.8	16	16.2	0.622	0.6299	0.6378
E1	13.8	14	14.2	0.5433	0.5512	0.5591
E3		12			0.4724	
e		0.5			0.0197	
L	0.45	0.6	0.75	0.0177	0.0236	0.0295
L1		1			0.0394	
k	0.0°	3.5°	7.0°	0.0°	3.5°	7.0°
ccc	0.08			0.0031		

1. Values in inches are converted from mm and rounded to 4 decimal digits.

Figure 38. LQFP64, 10 x 10 mm, 64-pin low-profile quad flat package outline⁽¹⁾

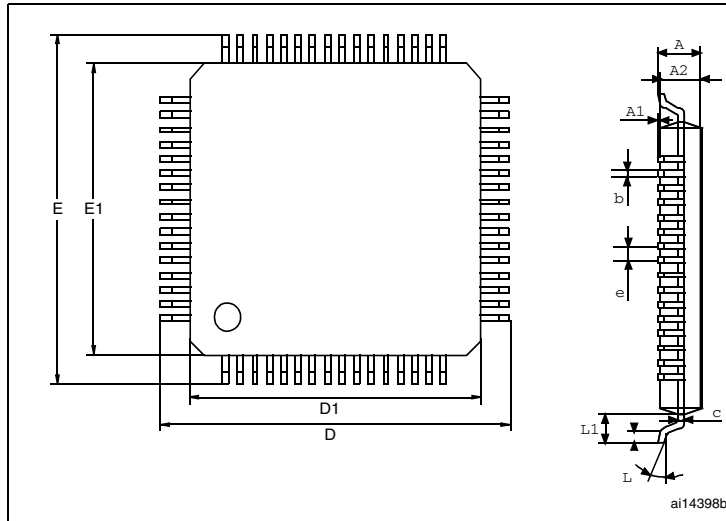
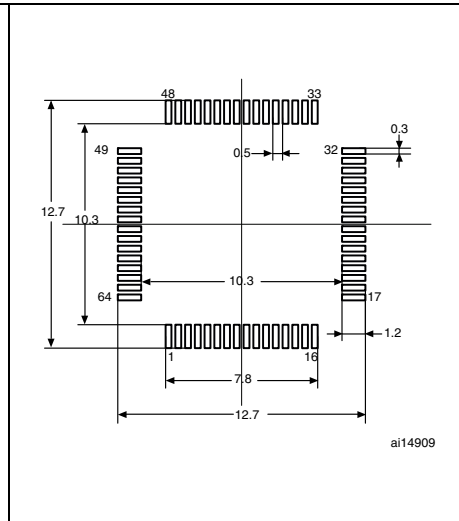


Figure 39. Recommended footprint⁽¹⁾⁽²⁾



1. Drawing is not to scale.
2. Dimensions are in millimeters.

Table 61. LQFP64, 10 x 10 mm, 64-pin low-profile quad flat package mechanical data

Symbol	millimeters			inches ⁽¹⁾		
	Min	Typ	Max	Min	Typ	Max
A			1.60			0.0630
A1	0.05		0.15	0.0020		0.0059
A2	1.35	1.40	1.45	0.0531	0.0551	0.0571
b	0.17	0.22	0.27	0.0067	0.0087	0.0106
c	0.09		0.20	0.0035		0.0079
D		12.00			0.4724	
D1		10.00			0.3937	
E		12.00			0.4724	
E1		10.00			0.3937	
e		0.50			0.0197	
θ	0°	3.5°	7°	0°	3.5°	7°
L	0.45	0.60	0.75	0.0177	0.0236	0.0295
L1		1.00			0.0394	
N	Number of pins					
	64					

1. Values in inches are converted from mm and rounded to 4 decimal digits.

Figure 40. LQFP48, 7 x 7 mm, 48-pin low-profile quad flat package outline⁽¹⁾

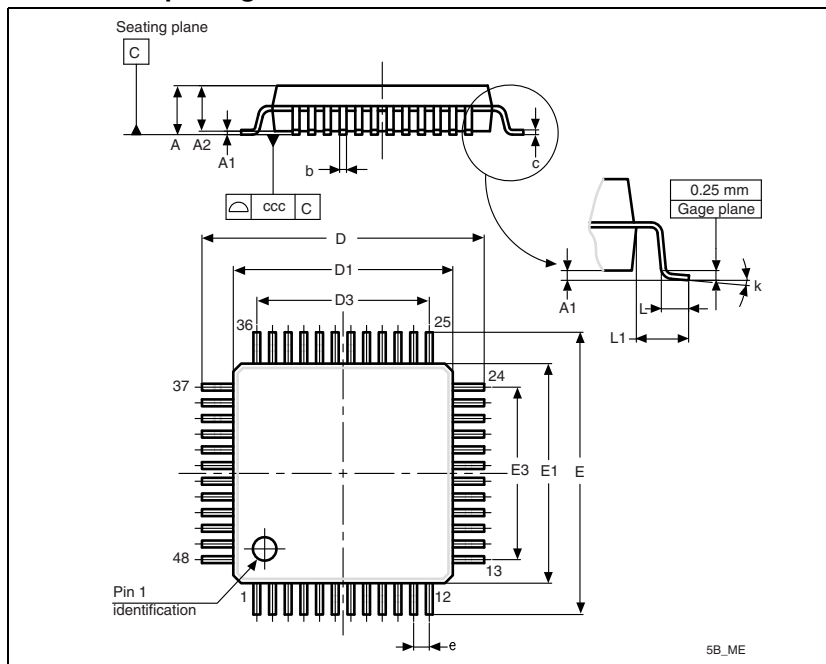
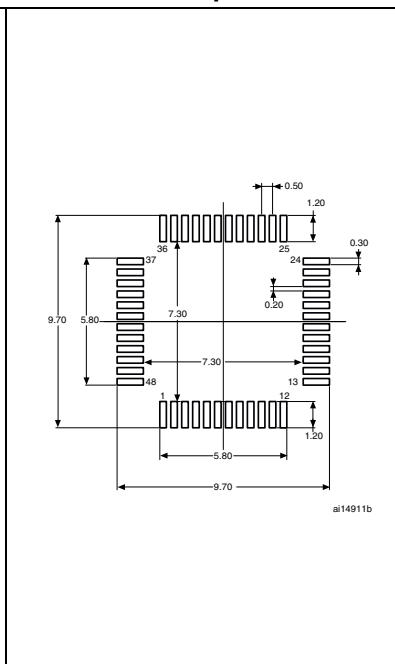


Figure 41. Recommended footprint⁽¹⁾⁽²⁾



1. Drawing is not to scale.
2. Dimensions are in millimeters.

Table 62. LQFP48, 7 x 7 mm, 48-pin low-profile quad flat package mechanical data

Symbol	millimeters			inches ⁽¹⁾		
	Typ	Min	Max	Typ	Min	Max
A			1.600			0.0630
A1		0.050	0.150		0.0020	0.0059
A2	1.400	1.350	1.450	0.0551	0.0531	0.0571
b	0.220	0.170	0.270	0.0087	0.0067	0.0106
c		0.090	0.200		0.0035	0.0079
D	9.000	8.800	9.200	0.3543	0.3465	0.3622
D1	7.000	6.800	7.200	0.2756	0.2677	0.2835
D3	5.500			0.2165		
E	9.000	8.800	9.200	0.3543	0.3465	0.3622
E1	7.000	6.800	7.200	0.2756	0.2677	0.2835
E3	5.500			0.2165		
e	0.500			0.0197		
L	0.600	0.450	0.750	0.0236	0.0177	0.0295
L1	1.000			0.0394		
k	3.5°	0°	7°	3.5°	0°	7°
ccc		0.080			0.0031	

1. Values in inches are converted from mm and rounded to 4 decimal digits.

7.2 Thermal characteristics

The maximum chip-junction temperature, $T_J \text{ max}$, in degrees Celsius, may be calculated using the following equation:

$$T_J \text{ max} = T_A \text{ max} + (P_D \text{ max} \times \Theta_{JA})$$

Where:

- $T_A \text{ max}$ is the maximum ambient temperature in °C,
- Θ_{JA} is the package junction-to-ambient thermal resistance, in °C/W,
- $P_D \text{ max}$ is the sum of $P_{INT \text{ max}}$ and $P_{I/O \text{ max}}$ ($P_D \text{ max} = P_{INT \text{ max}} + P_{I/O \text{ max}}$),
- $P_{INT \text{ max}}$ is the product of I_{DD} and V_{DD} , expressed in Watts. This is the maximum chip internal power.

$P_{I/O \text{ max}}$ represents the maximum power dissipation on output pins where:

$$P_{I/O \text{ max}} = \Sigma (V_{OL} \times I_{OL}) + \Sigma ((V_{DD} - V_{OH}) \times I_{OH}),$$

taking into account the actual V_{OL} / I_{OL} and V_{OH} / I_{OH} of the I/Os at low and high level in the application.

Table 63. Thermal characteristics

Symbol	Parameter	Value	Unit
Θ_{JA}	Thermal resistance junction-ambient BGA100 - 7 x 7 mm	59	°C/W
	Thermal resistance junction-ambient LQFP100 - 14 x 14 mm / 0.5 mm pitch	46	
	Thermal resistance junction-ambient LQFP64 - 10 x 10 mm / 0.5 mm pitch	45	
	Thermal resistance junction-ambient LQFP48 - 7 x 7 mm / 0.5 mm pitch	55	
	Thermal resistance junction-ambient UFQFPN48 - 7 x 7 mm / 0.5 mm pitch	16	

7.2.1 Reference document

JESD51-2 Integrated Circuits Thermal Test Method Environment Conditions - Natural Convection (Still Air). Available from www.jedec.org.

8 Ordering information scheme

Table 64. Ordering information scheme

Example:	STM32	L	151	C	8	T	6	D	xxx
Device family STM32 = ARM-based 32-bit microcontroller									
Product type L = Low power									
Device subfamily 151: Devices without LCD 152: Devices with LCD									
Pin count C = 48 pins R = 64 pins V = 100 pins									
Flash memory size 8 = 64 Kbytes of Flash memory B = 128 Kbytes of Flash memory									
Package H = BGA T = LQFP U = UFQFPN									
Temperature range 6 = Industrial temperature range, -40 to 85 °C									
Options No character = V _{DD} range: 1.8 to 3.6 V and BOR enabled D = V _{DD} range: 1.65 to 3.6 V and BOR disabled									
Packing TR = tape and reel No character = tray or tube									

For a list of available options (speed, package, etc.) or for further information on any aspect of this device, please contact your nearest ST sales office.

9 Revision history

Table 65. Document revision history

Date	Revision	Changes
02-Jul-2010	1	Initial release.
01-Oct-2010	2	Removed 5 V tolerance (FT) from PA3, PB0 and PC3 in Table 4: STM32L15xxx pin definitions on page 30 Updated Table 11: Embedded reset and power control block characteristics on page 46 Updated Table 12: Embedded internal reference voltage on page 48 Added Table 48: ADC clock frequency on page 84 Updated Table 49: ADC characteristics on page 84
16-Dec-2010	3	Modified consumptions on page 1 and in Section 3.1: Low power modes on page 13 LED_SEG8 removed on PB6 Updated Section 6: Electrical characteristics on page 41 VFQFPN48 replaced by UFQFPN48
25-Feb-2011	4	Features : updated value of Low-power sleep. Section 3.3.2: Power supply supervisor : updated note. Table 4: STM32L15xxx pin definitions : modified main function (after reset) and alternate function for OSC_IN and OSC_OUT pins; modified footnote 5; added footnote to OSC32_IN and OSC32_OUT pins; C1 and D1 removed on PD0 and PD1 pins (TFBGA64 column). Section 3.11: DAC (digital-to-analog converter) : updated bullet list. Table 6: Voltage characteristics : updated footnote 3 regarding $I_{INJ(PIN)}$. Table 7: Current characteristics : updated footnote 4 regarding positive and negative injection. Table 11: Embedded reset and power control block characteristics : updated typ and max values for $T_{RSTTEMPO}$ (V_{DD} rising, BOR enabled). Table 13: Current consumption in Run mode, code with data processing running from Flash : removed values for HSI clock source (16 MHz), Range 3. Table 14: Current consumption in Run mode, code with data processing running from RAM : removed values for HSI clock source (16 MHz), Range 3. Table 15: Current consumption in Sleep mode : removed values for HSI clock source (16 MHz), Range 3 for both RAM and Flash; changed units. Table 16: Current consumption in Low power run mode : updated parameter and max value of $I_{DD Max}$ (LP Run). Table 17: Current consumption in Low power sleep mode : updated symbol, parameter, and max value of $I_{DD Max}$ (LP Sleep). Table 18: Typical and maximum current consumptions in Stop mode : updated values for $I_{DD (Stop with RTC)}$ - RTC clocked by LSE external clock (32.768 kHz), regulator in LP mode, HSI and HSE OFF (no independent watchdog).

Table 65. Document revision history (continued)

Date	Revision	Changes
25-Feb-2011	4 cont'd	<p>Updated <i>Table 19: Typical and maximum current consumptions in Standby mode</i> (I_{DD} (WU from Standby) instead of (I_{DD} (WU from Stop).</p> <p><i>Table 20: Typical and maximum timings in Low power modes</i>: updated condition for Wakeup from Stop mode, regulator in Run mode; updated max values for Wakeup from Stop mode, regulator in low power mode; updated max values for $t_{WUSTDBY}$.</p> <p><i>Table 21: Peripheral current consumption</i>: updated values for column Low power sleep and run; updated Flash values; renamed ADC1 to ADC; updated I_{DD} (LCD) value; updated units; added values for I_{DD} (RTC) and I_{DD} (IWDG); updated footnote 1 and 3; added foot note 2 concerning ADC.</p> <p><i>Table 22: High-speed external user clock characteristics</i>: added min value for $t_{w(HSE)}/t_{r(HSE)}$ OSC_IN high or low time; added max value for $t_{r(HSE)}/t_{f(HSE)}$ OSC_IN rise or fall time; updated I_L for typ and max values.</p> <p><i>Table 23: Low-speed external user clock characteristics</i>: updated max value for I_L.</p> <p><i>Table 24: HSE 1-24 MHz oscillator characteristics</i>: renamed i_2 as I_{HSE} and updated max value; updated max values for $I_{DD(HSE)}$.</p> <p><i>Table 25: LSE oscillator characteristics (fLSE = 32.768 kHz)</i>: updated max value for I_{LSE}.</p> <p><i>Table 26: HSI oscillator characteristics</i>: updated some min and max values for ACC_{HSI}.</p> <p><i>Table 28: MSI oscillator characteristics</i>: updated parameter, typ, and max values for $D_{VOLT(MSI)}$.</p> <p><i>Table 31: Flash memory characteristics</i>: updated typ values for t_{prog}.</p> <p><i>Table 39: I/O AC characteristics</i>: updated some max values for 01, 10, and 11; updated min value; updated footnotes.</p> <p><i>Table 50: ADC accuracy</i>: updated typ values and some of the test conditions for ENOB, SINAD, SNR, and THD.</p> <p><i>Table 52: DAC characteristics</i>: updated footnote 7 and added footnote 8.</p> <p>Updated leakage value in <i>Figure 26: Typical connection diagram using the ADC</i>.</p> <p>Added <i>Figure 27: Maximum dynamic current consumption on VREF+ supply pin during ADC conversion</i>.</p> <p>Added <i>Table 51: RAIN max for fADC = 16 MHz(1)</i></p> <p><i>Figure 28: Power supply and reference decoupling (VREF+ not connected to VDDA)</i>: replaced all 10 nF capacitors with 100 nF capacitors.</p> <p><i>Figure 29: Power supply and reference decoupling (VREF+ connected to VDDA)</i>: replaced 10 nF capacitor with 100 nF capacitor.</p>

Please Read Carefully:

Information in this document is provided solely in connection with ST products. STMicroelectronics NV and its subsidiaries ("ST") reserve the right to make changes, corrections, modifications or improvements, to this document, and the products and services described herein at any time, without notice.

All ST products are sold pursuant to ST's terms and conditions of sale.

Purchasers are solely responsible for the choice, selection and use of the ST products and services described herein, and ST assumes no liability whatsoever relating to the choice, selection or use of the ST products and services described herein.

No license, express or implied, by estoppel or otherwise, to any intellectual property rights is granted under this document. If any part of this document refers to any third party products or services it shall not be deemed a license grant by ST for the use of such third party products or services, or any intellectual property contained therein or considered as a warranty covering the use in any manner whatsoever of such third party products or services or any intellectual property contained therein.

UNLESS OTHERWISE SET FORTH IN ST'S TERMS AND CONDITIONS OF SALE ST DISCLAIMS ANY EXPRESS OR IMPLIED WARRANTY WITH RESPECT TO THE USE AND/OR SALE OF ST PRODUCTS INCLUDING WITHOUT LIMITATION IMPLIED WARRANTIES OF MERCHANTABILITY, FITNESS FOR A PARTICULAR PURPOSE (AND THEIR EQUIVALENTS UNDER THE LAWS OF ANY JURISDICTION), OR INFRINGEMENT OF ANY PATENT, COPYRIGHT OR OTHER INTELLECTUAL PROPERTY RIGHT.

UNLESS EXPRESSLY APPROVED IN WRITING BY AN AUTHORIZED ST REPRESENTATIVE, ST PRODUCTS ARE NOT RECOMMENDED, AUTHORIZED OR WARRANTED FOR USE IN MILITARY, AIR CRAFT, SPACE, LIFE SAVING, OR LIFE SUSTAINING APPLICATIONS, NOR IN PRODUCTS OR SYSTEMS WHERE FAILURE OR MALFUNCTION MAY RESULT IN PERSONAL INJURY, DEATH, OR SEVERE PROPERTY OR ENVIRONMENTAL DAMAGE. ST PRODUCTS WHICH ARE NOT SPECIFIED AS "AUTOMOTIVE GRADE" MAY ONLY BE USED IN AUTOMOTIVE APPLICATIONS AT USER'S OWN RISK.

Resale of ST products with provisions different from the statements and/or technical features set forth in this document shall immediately void any warranty granted by ST for the ST product or service described herein and shall not create or extend in any manner whatsoever, any liability of ST.

ST and the ST logo are trademarks or registered trademarks of ST in various countries.

Information in this document supersedes and replaces all information previously supplied.

The ST logo is a registered trademark of STMicroelectronics. All other names are the property of their respective owners.

© 2011 STMicroelectronics - All rights reserved

STMicroelectronics group of companies

Australia - Belgium - Brazil - Canada - China - Czech Republic - Finland - France - Germany - Hong Kong - India - Israel - Italy - Japan - Malaysia - Malta - Morocco - Philippines - Singapore - Spain - Sweden - Switzerland - United Kingdom - United States of America

www.st.com

