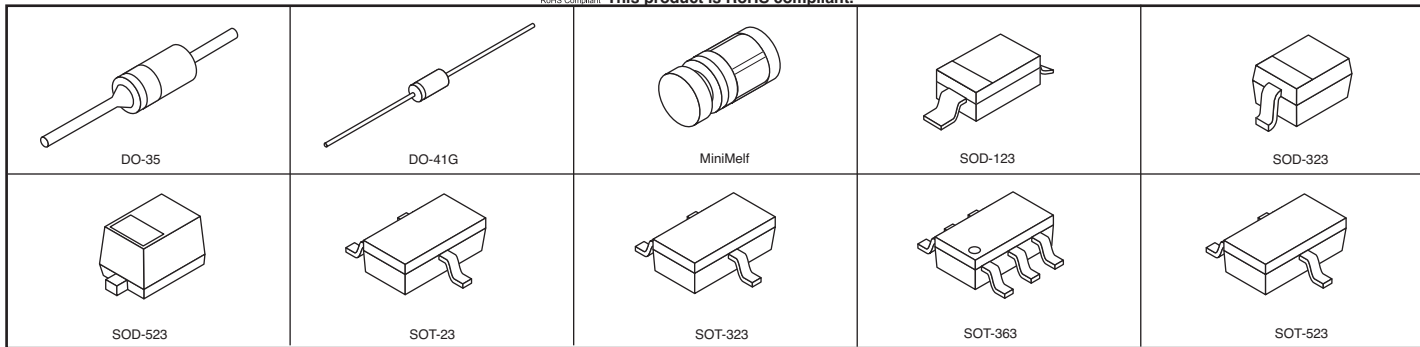


MCC Diodes



RoHS Compliant This product is RoHS compliant.



SMALL SIGNAL DIODES

For quantities of 1000 and up, call for quote.

MOUSER STOCK NO.	MCC Part No.	Package Type	I _F	V _{RRM}	Price Each		
					1	100	500
833-BAS19-TP	BAS19-TP	SOT-23	200mA	120V			
833-BAS20-TP	BAS20-TP	SOT-23	200mA	200V			
833-BAS21-TP	BAS21-TP	SOT-23	200mA	250V			
833-BAS40-04-TP	BAS40-04-TP	SOT-23	200mA	40V			
833-BAS40-05-TP	BAS40-05-TP	SOT-23	200mA	40V			
833-BAS40-06-TP	BAS40-06-TP	SOT-23	200mA	40V			
833-BAS40-TP	BAS40-TP	SOT-23	200mA	40V			
833-BAS40T-TP	BAS40T-TP	SOT-523	200mA	40V			
833-BAS40WT-TP	BAS40WT-TP	SOT-323	200mA	40V			
833-BAS70-04-TP	BAS70-04-TP	SOT-23	200mA	70V			
833-BAS70-06-TP	BAS70-06-TP	SOT-23	200mA	70V			
833-BAS70-TP	BAS70-TP	SOT-23	200mA	70V			
833-BAS70T-TP	BAS70T-TP	SOT-523	70mA	70V			
833-BAS70WT-TP	BAS70WT-TP	SOT-323	--	70V			
833-BAT54A-TP	BAT54A-TP	SOT-23	300mA	30V			
833-BAT54AT-TP	BAT54AT-TP	SOT-523	200mA	30V			
833-BAT54AWT-TP	BAT54AWT-TP	SOT-323	200mA	30V			
833-BAT54C-TP	BAT54C-TP	SOT-23	300mA	30V			
833-BAT54CT-TP	BAT54CT-TP	SOT-523	200mA	30V			
833-BAT54CWT-TP	BAT54CWT-TP	SOT-323	200mA	30V			
833-BAT54S-TP	BAT54S-TP	SOT-23	300mA	30V			
833-BAT54ST-TP	BAT54ST-TP	SOT-523	200mA	30V			
833-BAT54SWT-TP	BAT54SWT-TP	SOT-323	200mA	30V			
833-BAT54-TP	BAT54-TP	SOT-23	300mA	30V			
833-BAT54T-TP	BAT54T-TP	SOT-523	200mA	30V			
833-BAT54WS-TP	BAT54WS-TP	SOD-323	--	30V			
833-BAT54WT-TP	BAT54WT-TP	SOT-323	200mA	30V			
833-BAT54WX-TP	BAT54WX-TP	SOD-523	200mA	30V			
833-BAV102-TP	BAV102-TP	MINIMELF	250mA	200V			
833-BAV103-TP	BAV103-TP	MINIMELF	250mA	250V			
833-BAV19WS-TP	BAV19WS-TP	SOD-323	250mA	100V			
833-BAV20WS-TP	BAV20WS-TP	SOD-323	250mA	150V			
833-DL4150-TP	DL4150-TP	MINIMELF	200mA	50V			
833-SD101AWS-TP	SD101AWS-TP	SOD-323	--	60V			
833-SD101AW-TP	SD101AW-TP	SOD-123	--	60V			
833-SD101BWS-TP	SD101BWS-TP	SOD-323	--	50V			
833-SD101BW-TP	SD101BW-TP	SOD-123	--	50V			
833-SD101CWS-TP	SD101CWS-TP	SOD-323	--	40V			
833-SD101CW-TP	SD101CW-TP	DO-35	--	40V			
833-SD103AWS-TP	SD103AWS-TP	SOD-323	350mA	40V			
833-SD103AW-TP	SD103AW-TP	SOD-123	350mA	40V			
833-SD103BWS-TP	SD103BWS-TP	SOD-323	350mA	30V			
833-SD103BW-TP	SD103BW-TP	SOD-123	350mA	30V			
833-SD103CWS-TP	SD103CWS-TP	SOD-323	350mA	20V			
833-SD103CW-TP	SD103CW-TP	SOD-123	350mA	20V			

1W ZENER DIODES

For quantities of 1000 and up, call for quote.

MOUSER STOCK NO.	MCC Part No.	Package Type	Zener Voltage	Power Dissipation	Price Each		
					1	100	500
833-1N4728A-TP	1N4728A-TP	DO-41G	3.3V	1W			
833-1N4729A-TP	1N4729A-TP	DO-41G	3.6V	1W			
833-1N4730A-TP	1N4730A-TP	DO-41G	3.9V	1W			
833-1N4731A-TP	1N4731A-TP	DO-41G	4.3V	1W			
833-1N4732A-TP	1N4732A-TP	DO-41G	4.7V	1W			
833-1N4733A-TP	1N4733A-TP	DO-41G	5.1V	1W			
833-1N4734A-TP	1N4734A-TP	DO-41G	5.6V	1W			
833-1N4735A-TP	1N4735A-TP	DO-41G	6.2V	1W			
833-1N4736A-TP	1N4736A-TP	DO-41G	6.8V	1W			
833-1N4737A-TP	1N4737A-TP	DO-41G	7.5V	1W			
833-1N4738A-TP	1N4738A-TP	DO-41G	8.2V	1W			
833-1N4739A-TP	1N4739A-TP	DO-41G	9.1V	1W			
833-1N4740A-TP	1N4740A-TP	DO-41G	10V	1W			
833-1N4741A-TP	1N4741A-TP	DO-41G	11V	1W			
833-1N4742A-TP	1N4742A-TP	DO-41G	12V	1W			
833-1N4743A-TP	1N4743A-TP	DO-41G	13V	1W			
833-1N4744A-TP	1N4744A-TP	DO-41G	15V	1W			

1W ZENER DIODES CONT.

For quantities of 1000 and up, call for quote.

MOUSER STOCK NO.	MCC Part No.	Package Type	Zener Voltage	Power Dissipation	Price Each		
					1	100	500
833-1N4745A-TP	1N4745A-TP	DO-41G	16V	1W			
833-1N4746A-TP	1N4746A-TP	DO-41G	18V	1W			
833-1N4747A-TP	1N4747A-TP	DO-41G	20V	1W			
833-1N4748A-TP	1N4748A-TP	DO-41G	22V	1W			
833-1N4749A-TP	1N4749A-TP	DO-41G	24V	1W			
833-1N4750A-TP	1N4750A-TP	DO-41G	27V	1W			
833-1N4751A-TP	1N4751A-TP	DO-41G	30V	1W			
833-1N4752A-TP	1N4752A-TP	DO-41G	33V	1W			
833-1N4753A-TP	1N4753A-TP	DO-41G	36V	1W			
833-1N4754A-TP	1N4754A-TP	DO-41G	39V	1W			
833-1N4755A-TP	1N4755A-TP	DO-41G	43V	1W			
833-1N4756A-TP	1N4756A-TP	DO-41G	47V	1W			
833-1N4757A-TP	1N4757A-TP	DO-41G	51V	1W			
833-1N4758A-TP	1N4758A-TP	DO-41G	56V	1W			
833-1N4759A-TP	1N4759A-TP	DO-41G	62V	1W			
833-1N4760A-TP	1N4760A-TP	DO-41G	68V	1W			
833-1N4761A-TP	1N4761A-TP	DO-41G	75V	1W			

SWITCHING DIODES

For quantities of 1000 and up, call for quote.

MOUSER STOCK NO.	MCC Part No.	Package Type	I _F	V _{RRM}	Price Each		
					1	100	500
833-1N4148-TP	1N4148-TP	DO-35	150mA	100V			
833-1N4148W-TP	1N4148W-TP	SOD-123	300mA	75V			
833-1N4148WX-TP	1N4148WX-TP	SOD-323	300mA	75V			
833-1N4148X-TP	1N4148X-TP	SOD-523	150mA	75V			
833-1N4448-TP	1N4448-TP	DO-35	--	100V			
833-1N4448W-TP	1N4448W-TP	SOD-123	150mA	100V			
833-1N4448WX-TP	1N4448WX-TP	SOD-323	500mA	75V			
833-1N4448X-TP	1N4448X-TP	SOD-523	250mA	75V			
833-BAS16-TP	BAS16-TP	SOT-23	300mA	100V			
833-BAS16T-TP	BAS16T-TP	SOT-523	75mA	85V			
833-BAS16W-TP	BAS16W-TP	SOD-123	200mA	75V			
833-BAS16WT-TP	BAS16WT-TP	SOT-323	150mA	75V			
833-BAS16WX-TP	BAS16WX-TP	SOD-323	200mA	75V			
833-BAS16X-TP	BAS16X-TP	SOD-523	200mA	75V			
833-BAS19WT-TP	BAS19WT-TP	SOT-323	200mA	100V			
833-BAS20WT-TP	BAS20WT-TP	SOT-323	200mA	150V			
833-BAS21A-TP	BAS21A-TP	SOT-23	200mA	250V			
833-BAS21C-TP	BAS21C-TP	SOT-23	200mA	250V			
833-BAS21S-TP	BAS21S-TP	SOT-23	200mA	250V			
833-BAS21T-TP	BAS21T-TP	SOT-523	200mA	250V			
833-BAS21WT-TP	BAS21WT-TP	SOT-323	200mA	200V			
833-BAV19W-TP	BAV19W-TP	SOD-123	200mA	120V			
833-BAV20W-TP	BAV20W-TP	SOD-123	200mA	200V			
833-BAV21W-TP	BAV21W-TP	SOD-123	200mA	250V			
833-BAV70-TP	BAV70-TP	SOT-23	--	100V			
833-BAV70T-TP	BAV70T-TP	SOT-523	75mA	85V			
833-BAV70WT-TP	BAV70WT-TP	sol-323	150mA	75V			
833-BAV99-TP	BAV99-TP	SOT-23	--	75V			
833-BAV99T-TP	BAV99T-TP	SOT-523	75mA	85V			
833-BAV99WT-TP	BAV99WT-TP	SOT-323	150mA	75V			
833-BAW56-TP	BAW56-TP	SOT-23	250mA	100V			
833-BAW56T-TP	BAW56T-TP	SOT-523	75mA	85V			
833-BAW56WT-TP	BAW56WT-TP	SOT-323	150mA	75V			
833-DL4148-TP	DL4148-TP	MINIMELF	150mA	100V			
833-DL4151-TP	DL4151-TP	MINIMELF	--	75V			
833-DL4448-TP	DL4448-TP	MINIMELF	--	100V			
833-MMBD1501-TP	MMBD1501-TP	SOT-23	600mA	180V			
833-MMBD1503-TP	MMBD1503-TP	SOT-23	600mA	180V			
833-MMBD1504-TP	MMBD1504-TP	SOT-23	600mA	180V			
833-MMBD1505-TP	MMBD1505-TP	SOT-23	600mA	180V			
833-MMBD4148-TP	MMBD4148-TP	SOT-23	200mA	100V			
833-MMBD4148TW-TP	MMBD4148TW-TP	SOT-363	150mA	75V			
833-MMBD4148WT-TP	MMBD4148WT-TP	SOT-323	150mA	75V			
833-MMBD4448DW-TP	MMBD4448DW-TP	SOT-363	250mA	75V			
833-MMBD4448-TP	MMBD4448-TP	SOT-23	500mA	100V			
833-MMBD4448WT-TP	MMBD4448WT-TP	SOT-23	500mA	100V			
833-MMBD7000-TP	MMBD7000-TP	SOT-23	--	100V			
833-MMBD914-TP	MMBD914-TP	SOT-23	--	100V			

