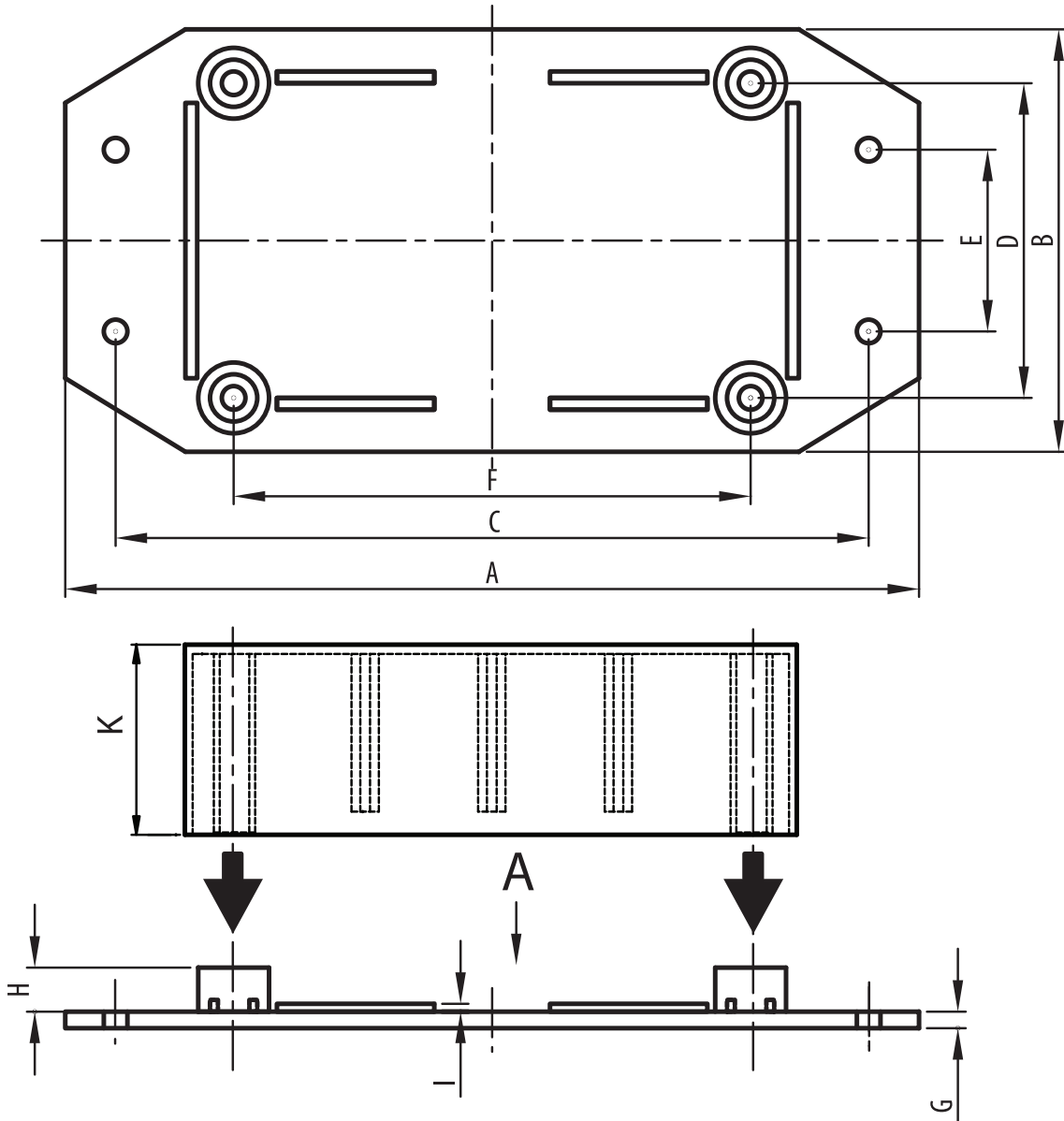


A-A



	A	B	C	D	E	F	G	H	I	K
G1020BF	108.5	53.7	95.7	40.0	23.1	65.7	2.1	3.5	1.0	28.5
G1022BF	156.0	67.1	143.1	49.5	30.4	113.2	2.6	3.5	1.0	41.0
G1024BF	185.7	95.5	171.0	78.8	55.0	140.6	2.6	3.5	1.0	50.5
G1025BF	225.0	113.0	211.0	95.0	60.1	179.5	2.8	3.5	1.0	60.5