

# LM723QML

## Voltage Regulator

### General Description

The LM723 is a voltage regulator designed primarily for series regulator applications. By itself, it will supply output currents up to 150 mA; but external transistors can be added to provide any desired load current. The circuit features extremely low standby current drain, and provision is made for either linear or foldback current limiting.

The LM723 is also useful in a wide range of other applications such as a shunt regulator, a current regulator or a temperature controller.

### Features

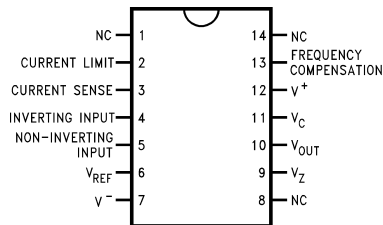
- 150 mA output current without external pass transistor
- Output currents in excess of 10A possible by adding external transistors
- Input voltage 40V max
- Output voltage adjustable from 2V to 37V
- Can be used as either a linear or a switching regulator

### Ordering Information

NS PART NUMBER	SMD PART NUMBER	NS PACKAGE NUMBER	PACKAGE DISCRIPTION
LM723E/883		E20A	20LD LEADLESS CHIP CARRIER
LM723H/883		H10C	10LD TO-100, METAL CAN
LM723J/883		J14A	14LD CERDIP

### Connection Diagrams

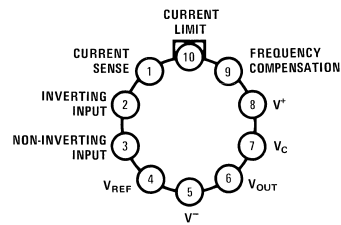
Dual-In-Line Package



Top View  
See NS Package J14A

20120402

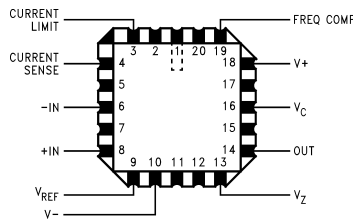
Metal Can Package



Top View  
See NS Package H10C

20120403

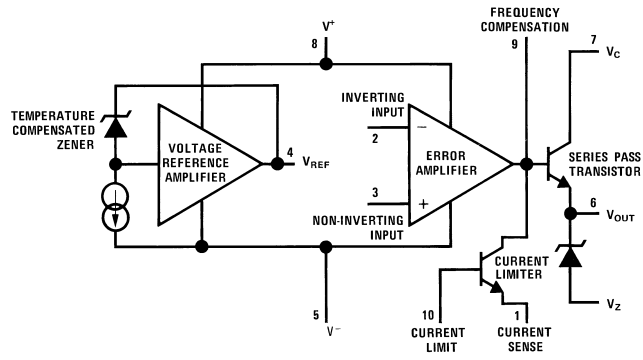
Note: Pin 5 connected to case.



Top View  
See NS Package E20A

20120420

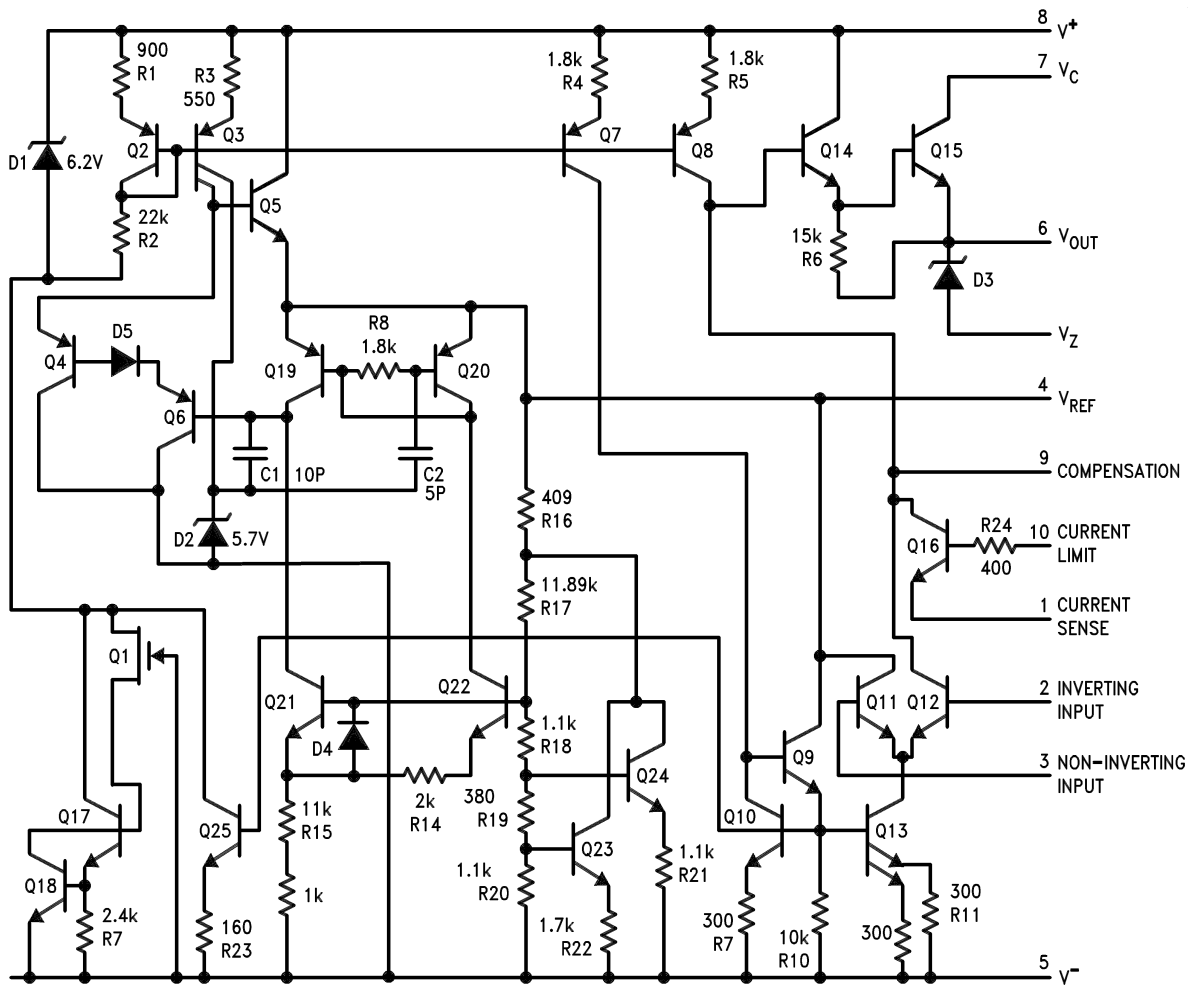
# Equivalent Circuit\*



20120404

\*Pin numbers refer to metal can package.

# Schematic Diagram



20120401

**Absolute Maximum Ratings** (Note 1)

Pulse Voltage from V <sup>+</sup> to V <sup>-</sup> (50 ms)	50V
Continuous Voltage from V <sup>+</sup> to V <sup>-</sup>	40V
Input-Output Voltage Differential	40V
Maximum Amplifier Input Voltage	
Either Input	8.5V
Differential	5V
Current from V <sub>Z</sub>	25 mA
Current from V <sub>REF</sub>	15 mA
Internal Power Dissipation	
Metal Can (Note 2)	800 mW
Cavity DIP (Note 2)	900 mW
LCC (Note 2)	900 mW
Operating Temperature Range	-55°C ≤ T <sub>A</sub> ≤ +125°C
Maximum T <sub>J</sub>	+150°C
Storage Temperature Range	-65°C ≤ T <sub>A</sub> ≤ +150°C

Lead Temperature (Soldering, 4 sec. max.)	300°C
Thermal Resistance	
θ <sub>JA</sub>	
Cerdip (Still Air)	100°C/W
Cerdip (500LF/ Min Air flow)	61°C/W
Metal Can (Still Air)	156°C/W
Metal Can (500LF/ Min Air flow)	89°C/W
LCC (Still Air)	96°C/W
LCC (500LF/ Min Air flow)	70°C/W
θ <sub>JC</sub>	
CERDIP	22°C/W
Metal Can	37°C/W
LCC	27°C/W
ESD Tolerance (Note 3)	500V

**Quality Conformance Inspection**

MIL-STD-883, Method 5005 — Group A

Subgroup	Description	Temp ( °C)
1	Static tests at	+25
2	Static tests at	+125
3	Static tests at	-55
4	Dynamic tests at	+25
5	Dynamic tests at	+125
6	Dynamic tests at	-55
7	Functional tests at	+25
8A	Functional tests at	+125
8B	Functional tests at	-55
9	Switching tests at	+25
10	Switching tests at	+125
11	Switching tests at	-55

## Electrical Characteristics

DC Parameters (Note 9)

Symbol	Parameter	Conditions	Notes	Min	Max	Units	Sub-groups
$V_{rline}$	Line Regulation	$12V \leq V_{IN} \leq 15V, V_{OUT} = 5V,$ $I_L = 1mA$		-0.1	0.1	% $V_{OUT}$	1
				-0.2	0.2	% $V_{OUT}$	2
				-0.3	0.3	% $V_{OUT}$	3
			$12V \leq V_{IN} \leq 40V, V_{OUT} = 2V,$ $I_L = 1mA$		-0.2	0.2	% $V_{OUT}$
	$9.5V \leq V_{IN} \leq 40V, V_{OUT} = 5V,$ $I_L = 1mA$			-0.3	0.3	% $V_{OUT}$	1
$V_{rload}$	Load Regulation	$1mA \leq I_L \leq 50mA, V_{IN} = 12V,$ $V_{OUT} = 5V$		-0.15	0.15	% $V_{OUT}$	1
				-0.4	0.4	% $V_{OUT}$	2
				-0.6	0.6	% $V_{OUT}$	3
			$1mA \leq I_L \leq 10mA, V_{IN} = 40V,$ $V_{OUT} = 37V$		-0.5	0.5	% $V_{OUT}$
	$6mA \leq I_L \leq 12mA, V_{IN} = 10V,$ $V_{OUT} = 7.5V$			-0.2	0.2	% $V_{OUT}$	1
$V_{REF}$	Voltage Reference	$I_{REF} = 1mA, V_{IN} = 12V$		6.95	7.35	V	1
				6.9	7.4	V	2, 3
$I_{SCD}$	Standby Current	$V_{IN} = 30V, I_L = I_{REF} = 0,$ $V_{OUT} = V_{REF}$		0.5	3	mA	1
				0.5	2.4	mA	2
				0.5	3.5	mA	3
$I_{OS}$	Short Circuit Current	$V_{OUT} = 5V, V_{IN} = 12V, R_{SC} = 10\Omega,$ $R_L = 0$		45	85	mA	1
$V_Z$	Zener Voltage	$V_{IN} = 40V, V_{OUT} = 7.15V, I_Z = 1mA$	(Note 8) (Note 10)	5.58	6.82	V	1
$V_{OUT}$	Output Voltage	$V_{IN} = 12V, V_{OUT} = 5V, I_L = 1mA$		4.5	5.5	V	1, 2, 3

## Electrical Characteristics

AC Parameters (Note 9)

Symbol	Parameter	Conditions	Notes	Min	Max	Units	Sub-groups
Delta $V_{OUT}$ Delta $V_{IN}$	Ripple Rejection	$f = 120Hz, C_{REF} = 0, V_{INS} = 2V_{RMS}$		55		dB	4
		$f = 120Hz, C_{REF} = 5\mu F,$ $V_{INS} = 2V_{RMS}$		67		dB	4

**Note 1:** "Absolute Maximum Ratings" indicate limits beyond which damage to the device may occur. Operating Ratings indicate conditions for which the device is functional, but do not guarantee specific performance limits. For guaranteed specifications and test conditions, see the Electrical Characteristics. The guaranteed specifications apply only for the test conditions listed. Some performance characteristics may degrade when the device is not operated under the listed test conditions.

**Note 2:** The maximum power dissipation for these devices must be derated at elevated temperatures and is dictated by  $T_{JMAX}$ ,  $\theta_{JA}$ , and the ambient temperature,  $T_A$ . The maximum available power dissipation at any temperature is  $P_d = (T_{JMAX} - T_A)/\theta_{JA}$  or the number given in the Absolute Maximum Ratings, whichever is less. See derating curves for maximum power rating above 25°C.

**Note 3:** Human body model, 1.5 k $\Omega$  in series with 100 pF.

**Note 4:**  $L_1$  is 40 turns of No. 20 enameled copper wire wound on Ferroxcube P36/22-3B7 pot core or equivalent with 0.009 in. air gap.

**Note 5:** Figures in parentheses may be used if R1/R2 divider is placed on opposite input of error amp.

**Note 6:** Replace R1/R2 in figures with divider shown in Figure 13.

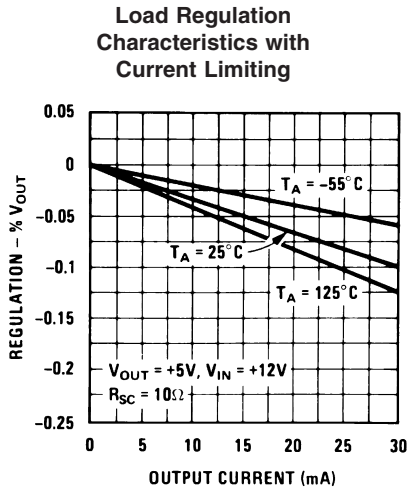
**Note 7:**  $V^+$  and  $V_{CC}$  must be connected to a +3V or greater supply.

**Note 8:** For metal can applications where  $V_Z$  is required, an external 6.2V zener diode should be connected in series with  $V_{OUT}$ .

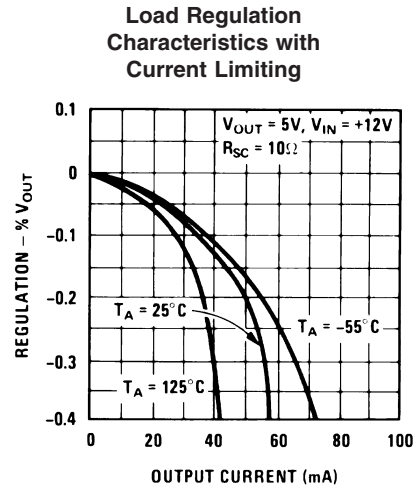
**Note 9:** Unless otherwise specified,  $T_A = 25^\circ C$ ,  $V_{IN} = V^+ = V_C = 12V$ ,  $V^- = 0$ ,  $V_{OUT} = 5V$ ,  $I_L = 1mA$ ,  $R_{SC} = 0$ ,  $C_1 = 100pF$ ,  $C_{REF} = 0$  and divider impedance as seen by error amplifier  $\leq 10k\Omega$  connected as shown in Figure 1. Line and load regulation specifications are given for the condition of constant chip temperature. Temperature drifts must be taken into account separately for high dissipation conditions.

**Note 10:** Tested for DIPS only.

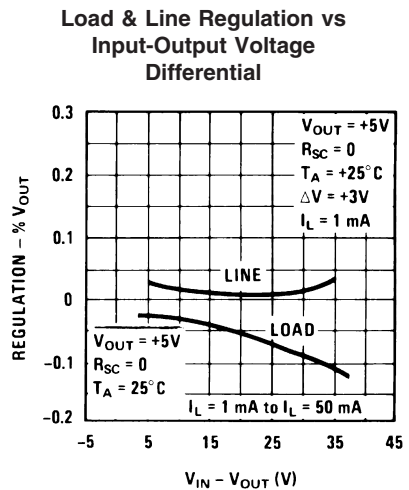
# Typical Performance Characteristics



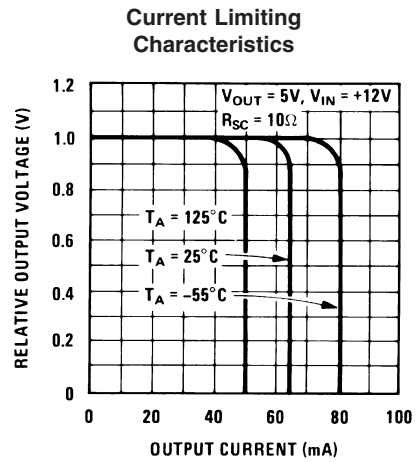
20120422



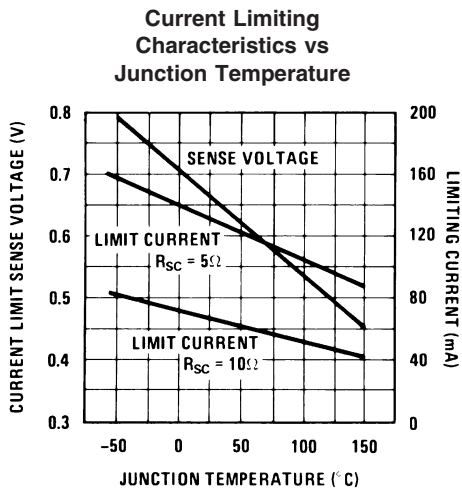
20120423



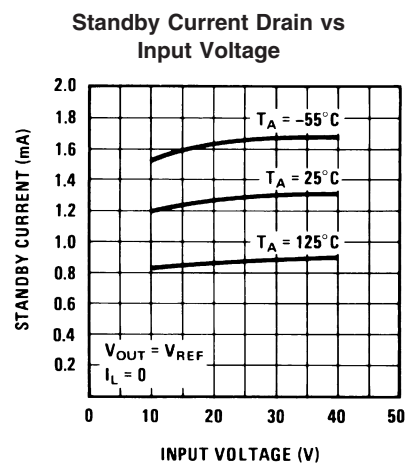
20120424



20120425



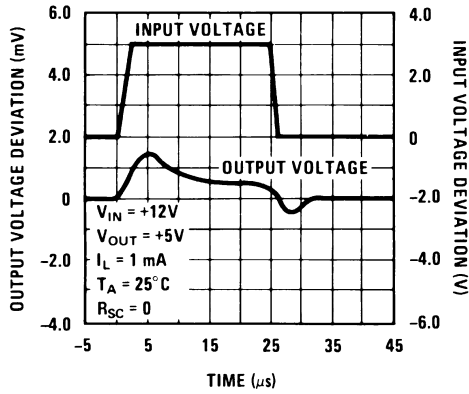
20120426



20120427

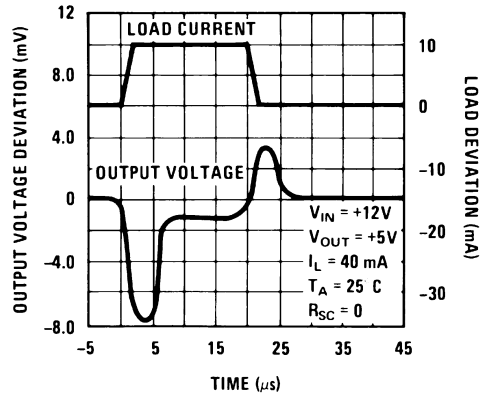
# Typical Performance Characteristics (Continued)

Line Transient Response



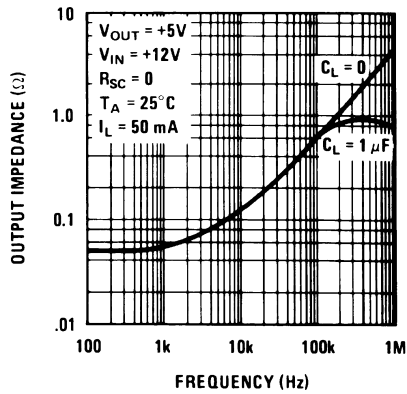
20120428

Load Transient Response



20120429

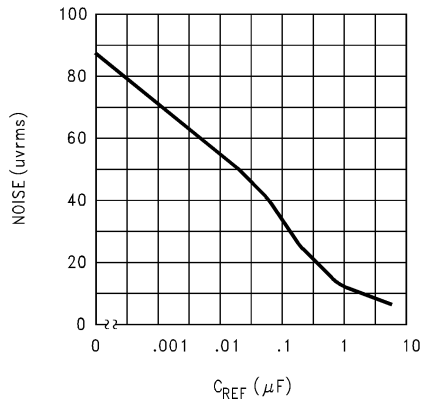
Output Impedance vs Frequency



20120430

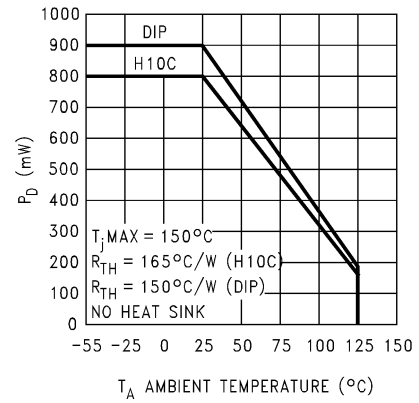
## Maximum Power Ratings

Noise vs Filter Capacitor  
 $(C_{REF}$  in Circuit of Figure 1  
 Bandwidth 100 Hz to 10 kHz)



20120431

Power Dissipation vs Ambient Temperature



20120432

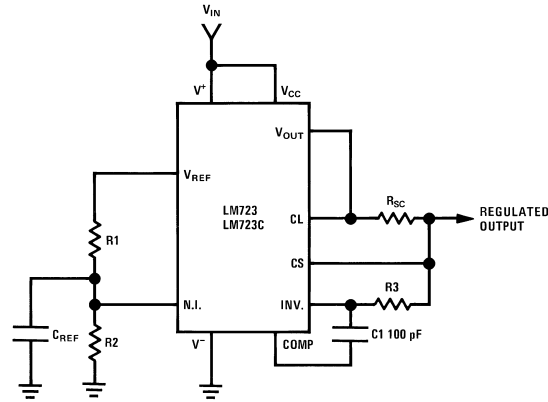
**TABLE 1. Resistor Values (kΩ) for Standard Output Voltage**

Positive Output Voltage	Applicable Figures (Note 5)	Fixed Output ±5%		Output Adjustable ±10% (Note 6)			Negative Output Voltage	Applicable Figures	Fixed Output ±5%		5% Output Adjustable ±10%		
		R1	R2	R1	P1	R2			R1	R2	R1	P1	R2
+3.0	1, 5, 6, 9, 12 (4)	4.12	3.01	1.8	0.5	1.2	+100	7	3.57	102	2.2	10	91
+3.6	1, 5, 6, 9, 12 (4)	3.57	3.65	1.5	0.5	1.5	+250	7	3.57	255	2.2	10	240
+5.0	1, 5, 6, 9, 12 (4)	2.15	4.99	0.75	0.5	2.2	-6 (Note 7)	3, (10)	3.57	2.43	1.2	0.5	0.75
+6.0	1, 5, 6, 9, 12 (4)	1.15	6.04	0.5	0.5	2.7	-9	3, 10	3.48	5.36	1.2	0.5	2.0
+9.0	2, 4, (5, 6, 9, 12)	1.87	7.15	0.75	1.0	2.7	-12	3, 10	3.57	8.45	1.2	0.5	3.3
+12	2, 4, (5, 6, 9, 12)	4.87	7.15	2.0	1.0	3.0	-15	3, 10	3.65	11.5	1.2	0.5	4.3
+15	2, 4, (5, 6, 9, 12)	7.87	7.15	3.3	1.0	3.0	-28	3, 10	3.57	24.3	1.2	0.5	10
+28	2, 4, (5, 6, 9, 12)	21.0	7.15	5.6	1.0	2.0	-45	8	3.57	41.2	2.2	10	33
+45	7	3.57	48.7	2.2	10	39	-100	8	3.57	97.6	2.2	10	91
+75	7	3.57	78.7	2.2	10	68	-250	8	3.57	249	2.2	10	240

**TABLE 2. Formulae for Intermediate Output Voltages**

<b>Outputs from +2 to +7 volts</b> <i>(Figure 1 Figures 4, 5, 6, 9, 12)</i>  $V_{OUT} = \left( V_{REF} \times \frac{R2}{R1 + R2} \right)$	<b>Outputs from +4 to +250 volts</b> <i>(Figure 7)</i>  $V_{OUT} = \left( \frac{V_{REF}}{2} \times \frac{R2 - R1}{R1} \right); R3 = R4$	<b>Current Limiting</b>  $I_{LIMIT} = \frac{V_{SENSE}}{R_{SC}}$
<b>Outputs from +7 to +37 volts</b> <i>(Figures 2, 4, 5, 6, 9, 12)</i>  $V_{OUT} = \left( V_{REF} \times \frac{R1 + R2}{R2} \right)$	<b>Outputs from -6 to -250 volts</b> <i>(Figures 3, 8, 10)</i>  $V_{OUT} = \left( \frac{V_{REF}}{2} \times \frac{R1 + R2}{R1} \right); R3 = R4$	<b>Foldback Current Limiting</b>  $I_{KNEE} = \left( \frac{V_{OUT} R3}{R_{SC} R4} + \frac{V_{SENSE} (R3 + R4)}{R_{SC} R4} \right)$ $I_{SHORT\ CT} = \left( \frac{V_{SENSE}}{R_{SC}} \times \frac{R3 + R4}{R4} \right)$

## Typical Applications



20120408

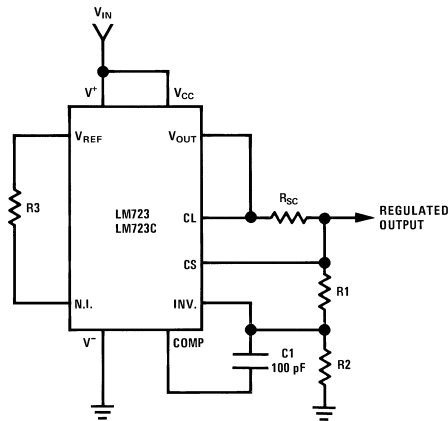
**Note:**  $R3 = \frac{R1 R2}{R1 + R2}$

for minimum temperature drift.

### Typical Performance

Regulated Output Voltage	5V
Line Regulation ( $\Delta V_{IN} = 3V$ )	0.5mV
Load Regulation ( $\Delta I_L = 50 \text{ mA}$ )	1.5mV

**FIGURE 1. Basic Low Voltage Regulator**  
( $V_{OUT} = 2 \text{ to } 7 \text{ Volts}$ )



20120409

**Note:**  $R3 = \frac{R1 R2}{R1 + R2}$

for minimum temperature drift.

R3 may be eliminated for minimum component count.

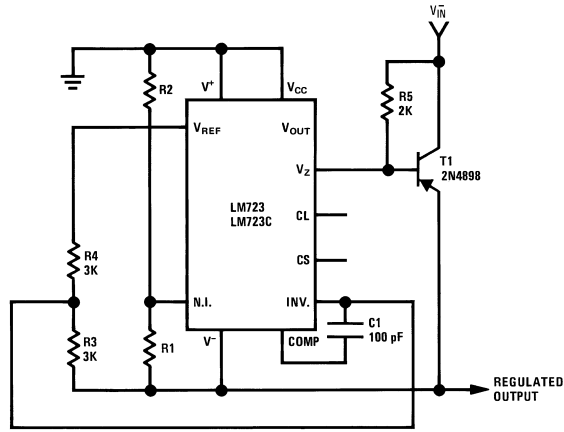
### Typical Performance

Regulated Output Voltage	15V
Line Regulation ( $\Delta V_{IN} = 3V$ )	1.5 mV
Load Regulation ( $\Delta I_L = 50 \text{ mA}$ )	4.5 mV

**FIGURE 2. Basic High Voltage Regulator**  
( $V_{OUT} = 7 \text{ to } 37 \text{ Volts}$ )



Typical Applications (Continued)

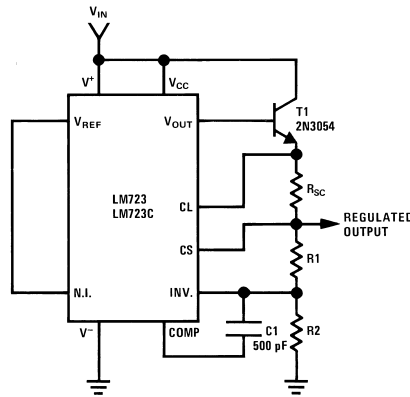


20120410

Typical Performance

Regulated Output Voltage	-15V
Line Regulation ( $\Delta V_{IN} = 3V$ )	1 mV
Load Regulation ( $\Delta I_L = 100 \text{ mA}$ )	2 mV

FIGURE 3. Negative Voltage Regulator



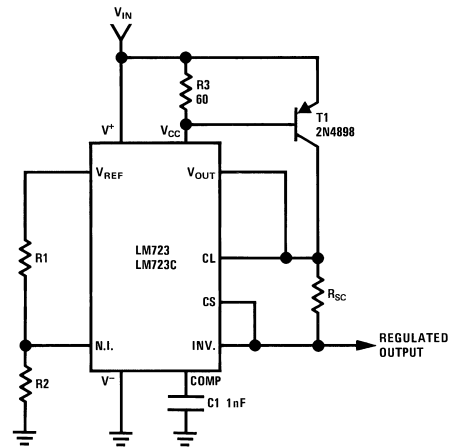
20120411

Typical Performance

Regulated Output Voltage	+15V
Line Regulation ( $\Delta V_{IN} = 3V$ )	1.5 mV
Load Regulation ( $\Delta I_L = 1A$ )	15 mV

FIGURE 4. Positive Voltage Regulator  
(External NPN Pass Transistor)

## Typical Applications (Continued)

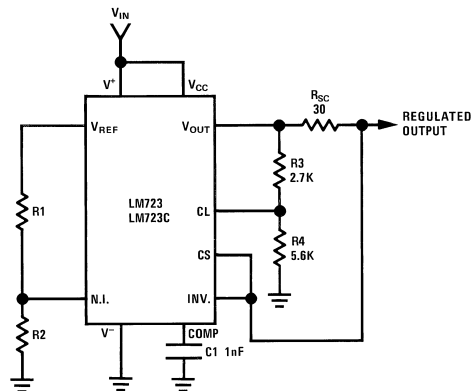


20120412

### Typical Performance

Regulated Output Voltage	+5V
Line Regulation ( $\Delta V_{IN} = 3V$ )	0.5 mV
Load Regulation ( $\Delta I_L = 1A$ )	5 mV

**FIGURE 5. Positive Voltage Regulator  
(External PNP Pass Transistor)**



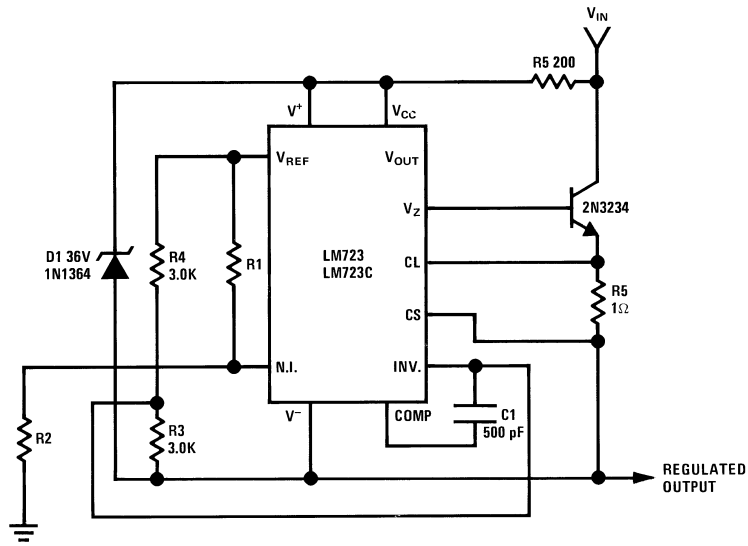
20120413

### Typical Performance

Regulated Output Voltage	+5V
Line Regulation ( $\Delta V_{IN} = 3V$ )	0.5 mV
Load Regulation ( $\Delta I_L = 10 \text{ mA}$ )	1 mV
Short Circuit Current	20 mA

**FIGURE 6. Foldback Current Limiting**

Typical Applications (Continued)

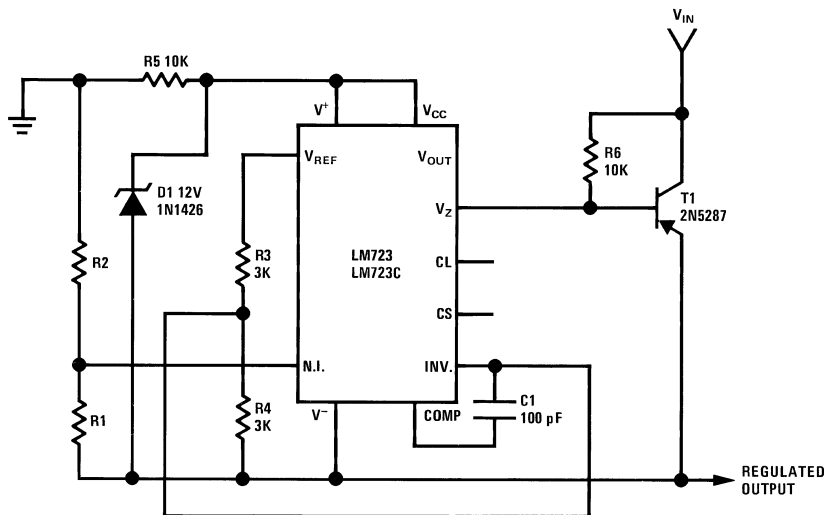


20120414

Typical Performance

Regulated Output Voltage	+50V
Line Regulation ( $\Delta V_{IN} = 20V$ )	15 mV
Load Regulation ( $\Delta I_L = 50 \text{ mA}$ )	20 mV

FIGURE 7. Positive Floating Regulator



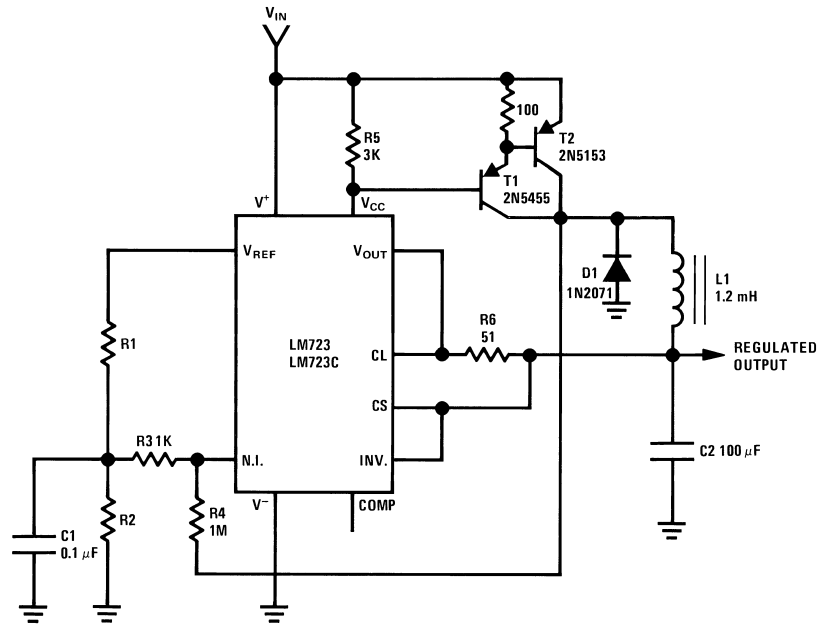
20120415

Typical Performance

Regulated Output Voltage	-100V
Line Regulation ( $\Delta V_{IN} = 20V$ )	30 mV
Load Regulation ( $\Delta I_L = 100 \text{ mA}$ )	20 mV

FIGURE 8. Negative Floating Regulator

## Typical Applications (Continued)



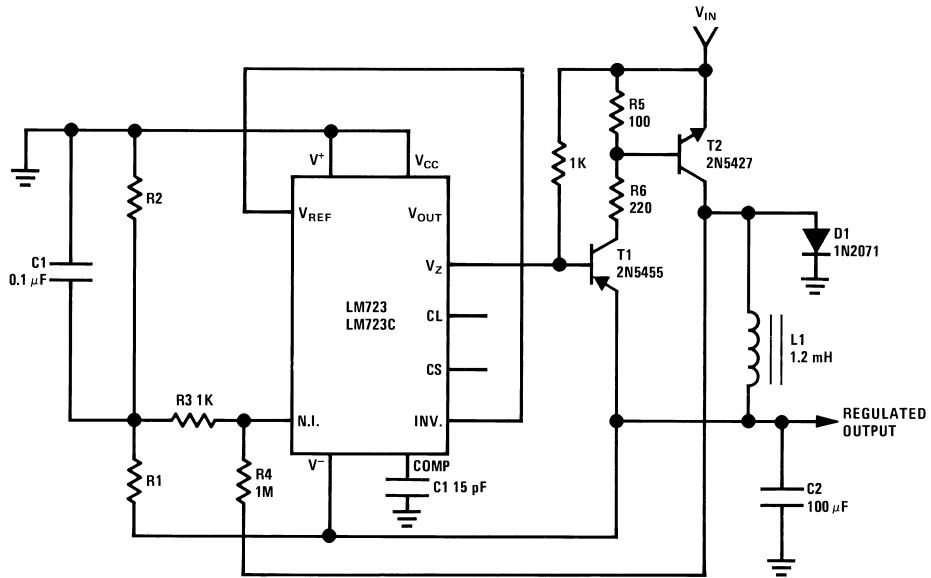
20120416

### Typical Performance

Regulated Output Voltage	+5V
Line Regulation ( $\Delta V_{IN} = 30V$ )	10 mV
Load Regulation ( $\Delta I_L = 2A$ )	80 mV

**FIGURE 9. Positive Switching Regulator**(Note 4)

Typical Applications (Continued)

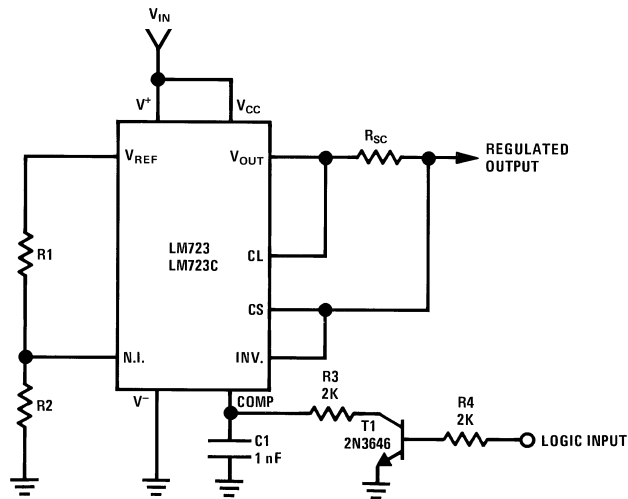


20120417

Typical Performance

Regulated Output Voltage	-15V
Line Regulation ( $\Delta V_{IN} = 20V$ )	8 mV
Load Regulation ( $\Delta I_L = 2A$ )	6 mV

FIGURE 10. Negative Switching Regulator(Note 4)



20120418

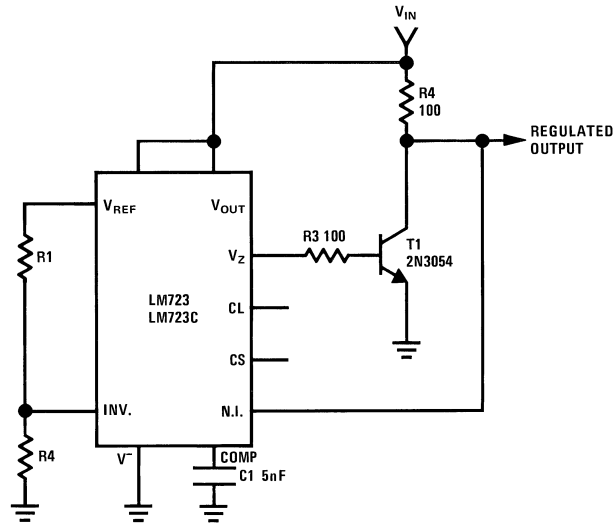
Note: Current limit transistor may be used for shutdown if current limiting is not required.

Typical Performance

Regulated Output Voltage	+5V
Line Regulation ( $\Delta V_{IN} = 3V$ )	0.5 mV
Load Regulation ( $\Delta I_L = 50 mA$ )	1.5 mV

FIGURE 11. Remote Shutdown Regulator with Current Limiting

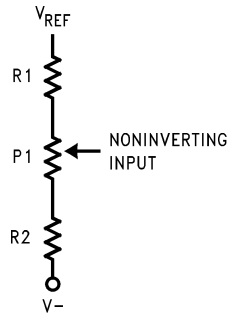
Typical Applications (Continued)



20120419

Regulated Output Voltage	+5V
Line Regulation ( $\Delta V_{IN} = 10V$ )	0.5 mV
Load Regulation ( $\Delta I_L = 100 \text{ mA}$ )	1.5 mV

FIGURE 12. Shunt Regulator



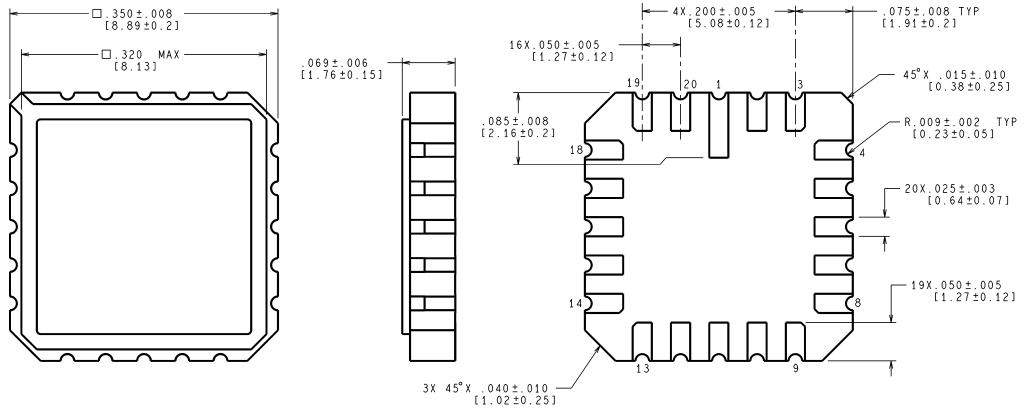
20120421

FIGURE 13. Output Voltage Adjust (Note 6)

## Revision History Section

Date Released	Revision	Section	Originator	Changes
02/15/05	A	New Release, Corporate format	L. Lytle	1 MDS data sheet converted into one Corp. data sheet format. MNLM723-X, Rev. 1A0. MDS data sheet will be archived. AC and Drift parameters removed from specification because they only applied to the JAN B/S devices, covered in a separate datasheet.

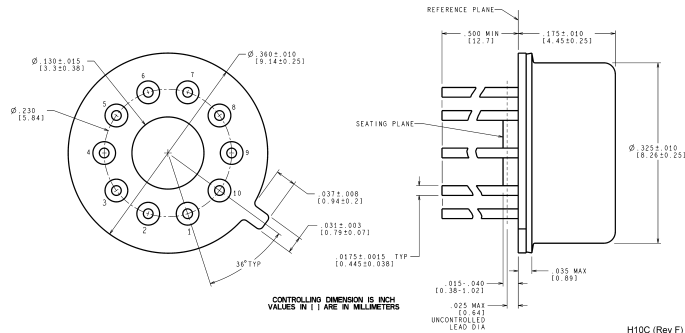
**Physical Dimensions** inches (millimeters) unless otherwise noted



CONTROLLING DIMENSION IS INCH  
 VALUES IN [ ] ARE MILLIMETERS

E20A (Rev F)

**Leadless Chip Carrier Package (E)  
 NS Package E20A**

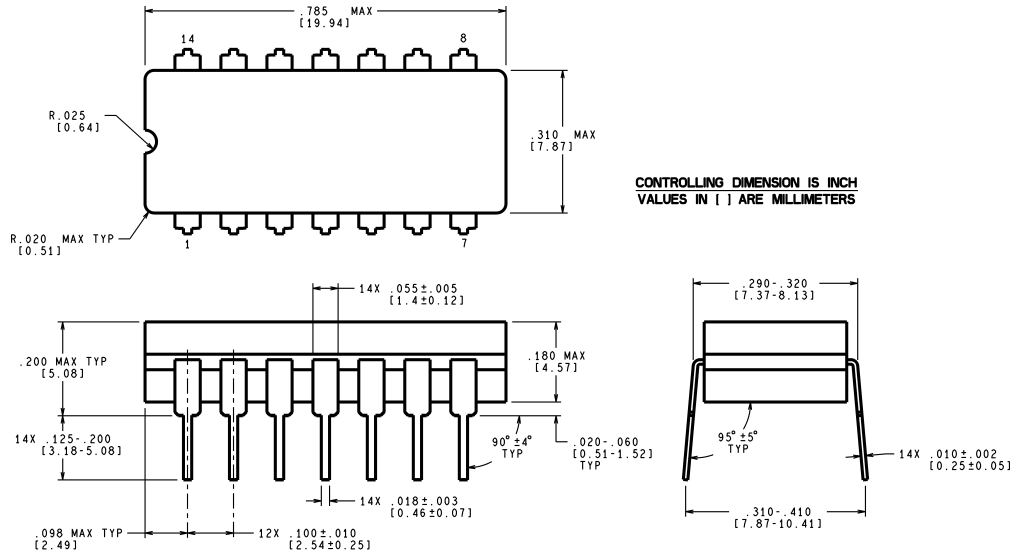


**Metal Can Package (H)  
 NS Package H10C**

H10C (Rev F)



**Physical Dimensions** inches (millimeters) unless otherwise noted (Continued)



J14A (Rev J)

**Ceramic Dual-In-Line Package (J)  
NS Package J14A**

National does not assume any responsibility for use of any circuitry described, no circuit patent licenses are implied and National reserves the right at any time without notice to change said circuitry and specifications.

For the most current product information visit us at [www.national.com](http://www.national.com).

#### LIFE SUPPORT POLICY

NATIONAL'S PRODUCTS ARE NOT AUTHORIZED FOR USE AS CRITICAL COMPONENTS IN LIFE SUPPORT DEVICES OR SYSTEMS WITHOUT THE EXPRESS WRITTEN APPROVAL OF THE PRESIDENT AND GENERAL COUNSEL OF NATIONAL SEMICONDUCTOR CORPORATION. As used herein:

1. Life support devices or systems are devices or systems which, (a) are intended for surgical implant into the body, or (b) support or sustain life, and whose failure to perform when properly used in accordance with instructions for use provided in the labeling, can be reasonably expected to result in a significant injury to the user.
2. A critical component is any component of a life support device or system whose failure to perform can be reasonably expected to cause the failure of the life support device or system, or to affect its safety or effectiveness.

#### BANNED SUBSTANCE COMPLIANCE

National Semiconductor manufactures products and uses packing materials that meet the provisions of the Customer Products Stewardship Specification (CSP-9-111C2) and the Banned Substances and Materials of Interest Specification (CSP-9-111S2) and contain no "Banned Substances" as defined in CSP-9-111S2.



**National Semiconductor**  
**Americas Customer**  
**Support Center**  
Email: [new.feedback@nsc.com](mailto:new.feedback@nsc.com)  
Tel: 1-800-272-9959

[www.national.com](http://www.national.com)

**National Semiconductor**  
**Europe Customer Support Center**  
Fax: +49 (0) 180-530 85 86  
Email: [europa.support@nsc.com](mailto:europa.support@nsc.com)  
Deutsch Tel: +49 (0) 69 9508 6208  
English Tel: +44 (0) 870 24 0 2171  
Français Tel: +33 (0) 1 41 91 8790

**National Semiconductor**  
**Asia Pacific Customer**  
**Support Center**  
Email: [ap.support@nsc.com](mailto:ap.support@nsc.com)

**National Semiconductor**  
**Japan Customer Support Center**  
Fax: 81-3-5639-7507  
Email: [jpn.feedback@nsc.com](mailto:jpn.feedback@nsc.com)  
Tel: 81-3-5639-7560

This datasheet has been download from:

[www.datasheetcatalog.com](http://www.datasheetcatalog.com)

Datasheets for electronics components.