



TDA7267A

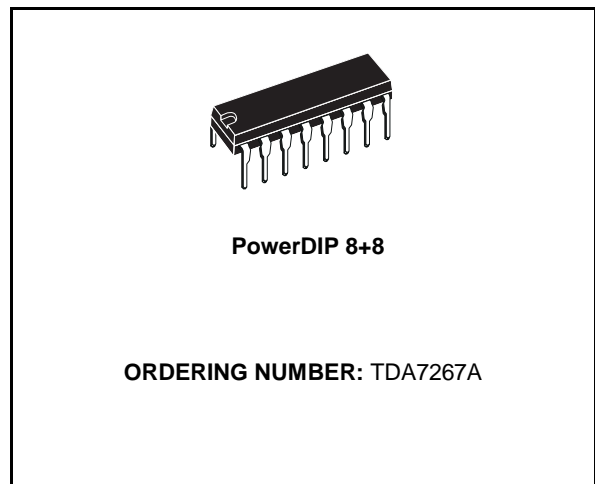
3W MONO AMPLIFIER

- CAN DELIVER 3W THD 10% 14.5V/8Ω
- INTERNAL FIXED GAIN 32dB
- NO FEEDBACK CAPACITOR
- NO BOUCHEROT CELL
- THERMAL PROTECTION
- AC SHORT CIRCUIT PROTECTION
- SVR CAPACITOR FOR BETTER RIPPLE REJECTION
- LOW TURN-ON/OFF POP
- STAND-BY MODE

DESCRIPTION

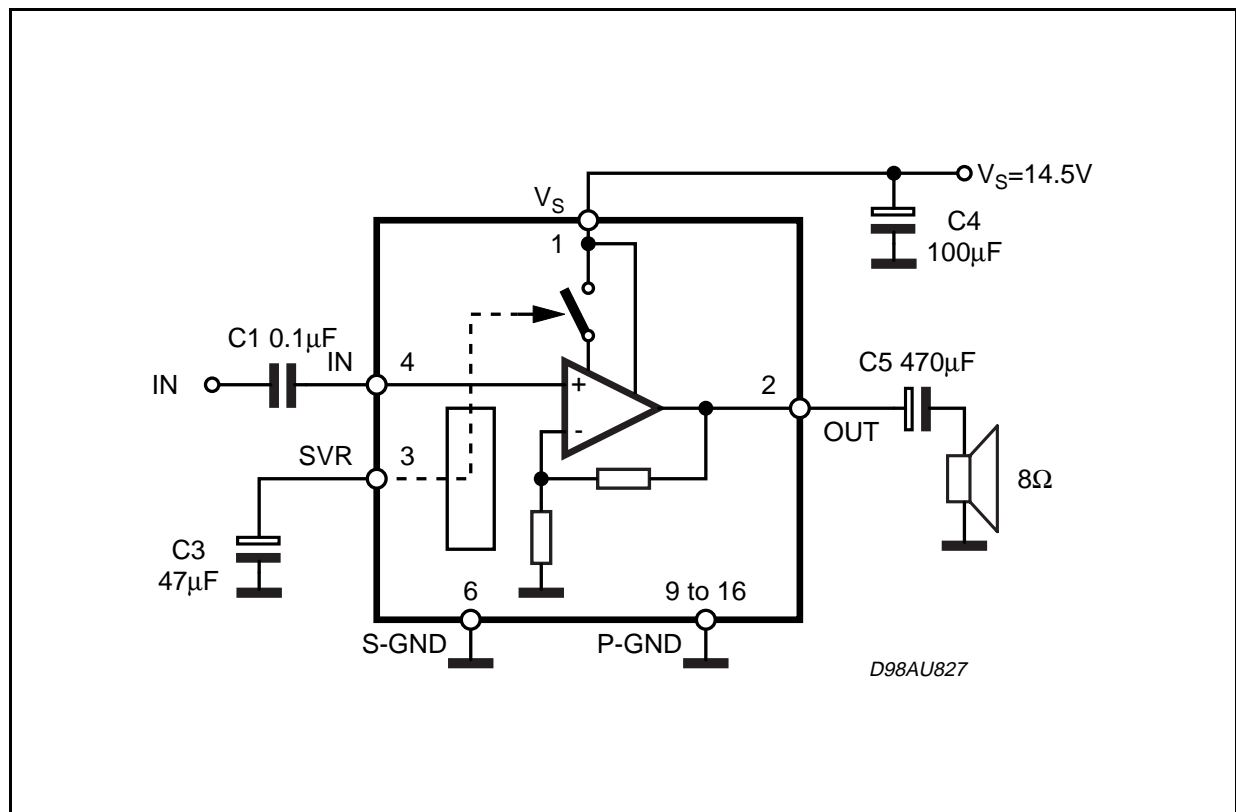
The device TDA7267A is a new technology Mono Audio Amplifier in PowerDIP package specifically designed for TV application.

Thanks to the fully complementary output configura-



tion the device delivers a rail to rail voltage swing without need of bootstrap capacitors.

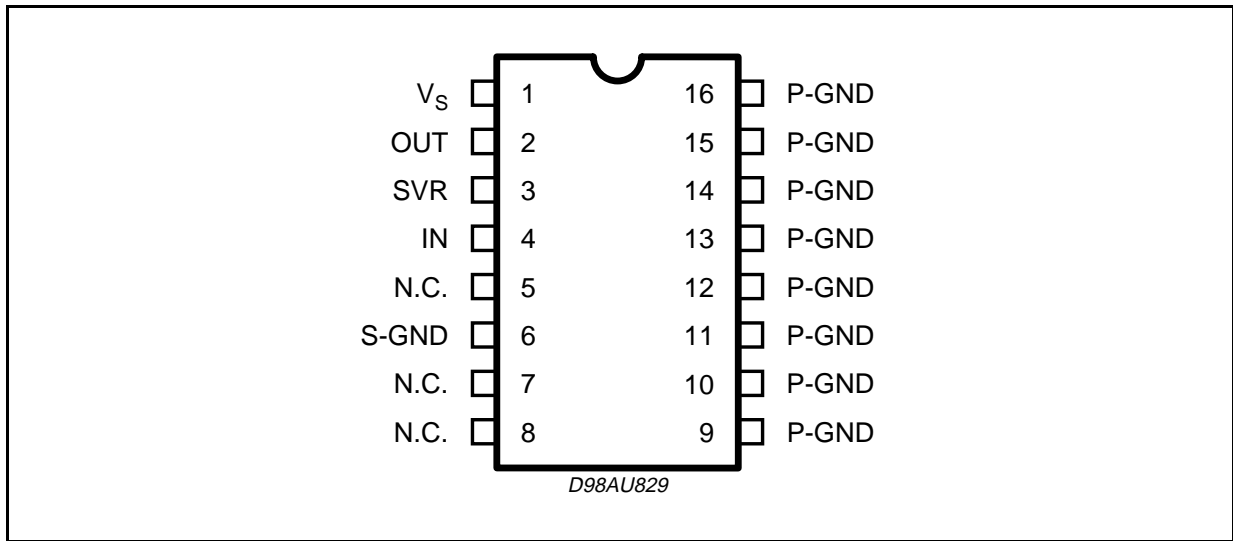
BLOCK DIAGRAM



ABSOLUTE MAXIMUM RATINGS

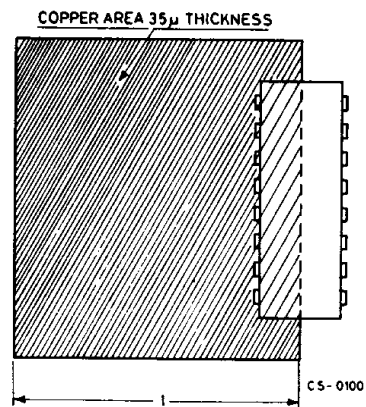
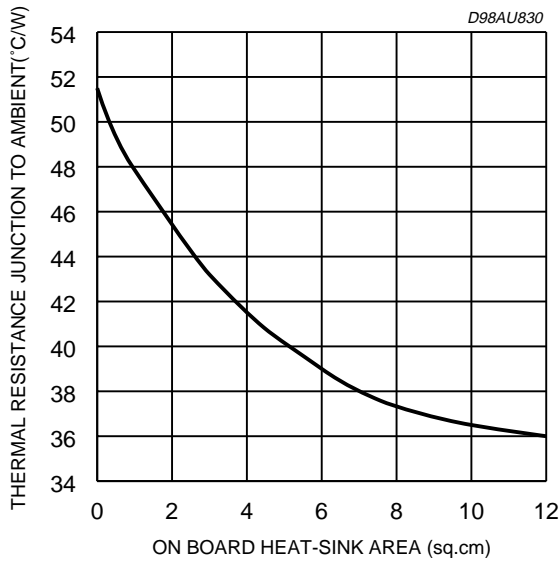
Symbol	Parameter	Value	Unit
V_S	Operating Supply Voltage	18	V
I_o	Output Put Peak Current	1.5	A
T_{op}	Operating Temperature Range	0 to 70	°C
T_j	Junction Temperature	150	°C
T_{stg}	Storage Temperature Range	-40 to 125	°C

PIN CONNECTION (Top view)



Rth with "on Board" Square Heat Sink vs. Copper Area

Example of heatsink using PC board copper



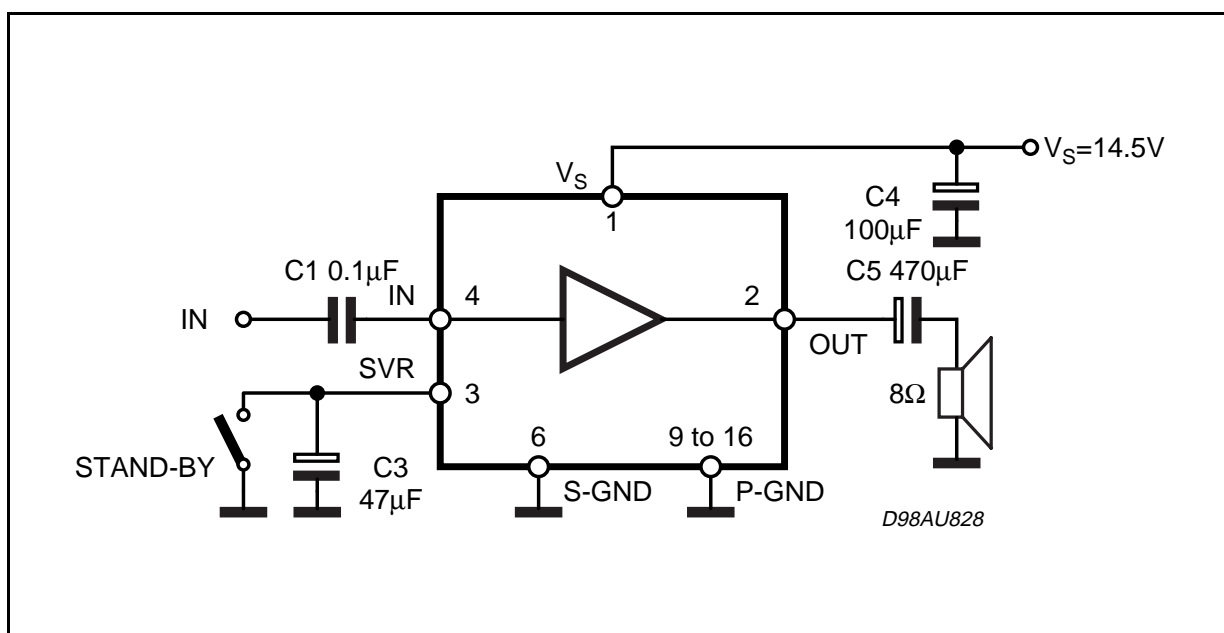
THERMAL DATA

Symbol	Parameter	Value	Unit
$R_{th\ j-amb}$	Thermal Resistance Junction to ambient	70	$^{\circ}C/W$
$R_{th\ j-case}$	Thermal Resistance Junction to case	15	$^{\circ}C/W$

ELECTRICAL CHARACTERISTICS ($T_{amb} = 25^{\circ}C$; $V_S = 14.5V$; $R_L = 8\Omega$; $f = 1KHz$; unless otherwise specified.)

Symbol	Parameter	Test Condition	Min.	Typ.	Max.	Unit
V_S	Supply Voltage Range		5		18	V
I_S	Quiescent Current			23	35	mA
I_{sb}	Stand-By Current	Pin 3 shorted to GND			0.3	mA
V_O	Quiescent Output Voltage			7.5		V
A_V	Voltage Gain		31		33	dB
R_{IN}	Input Impedance		50	100		$K\Omega$
P_O	Output Power	THD = 10%	2.7	3		W
THD	Distortion	$P_O = 1W$		0.1	0.3	%
SVR	Supply Voltage Rejection	$V_{ripple} = 150mV_{rms}$; $F_{ripple} = 1KHz$		50		dB
E_I	Input Noise Voltage	$R_g = 10K\Omega$; $BW = 20Hz$ to $20KHz$		5	10	μV
V_{sb}	Stand-By Enable Voltage				1	V

Figure 1. Application Circuit

**APPLICATION HINTS:**

For 14.5V supply and 8 Ω speaker application, its maximum power dissipation is about 1.8W.

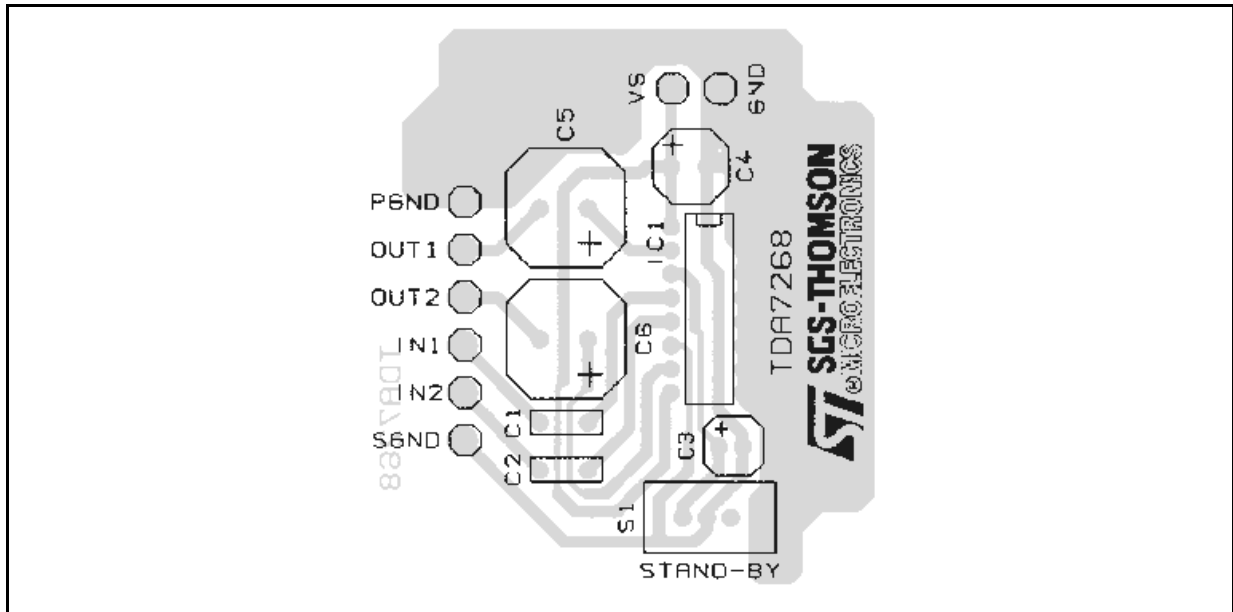
Assuming that max ambient temperature is 70 $^{\circ}C$, the required thermal resistance of the device mounted on the PCB with a dissipating area

must be equal to: $(150 - 70)/1.8 = 44.4^{\circ}C/W$.

Junction to pin thermal resistance of the package is about 15 $^{\circ}C/W$. That means external heat sink of about 30 $^{\circ}C/W$ is required.

Cu ground plane of PCB can be used as heat dissipating means.

Figure 2. PCB And Components Layout Of The Application Circuit of Figure 1



Components C2 and C6 must be ignored.

Figure 3. Distortion vs Output Power

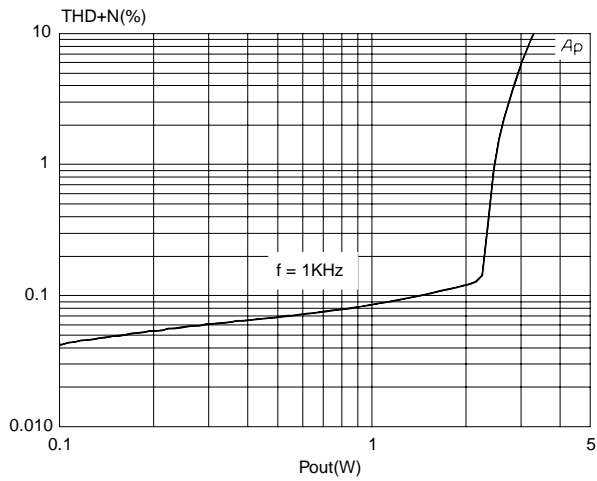
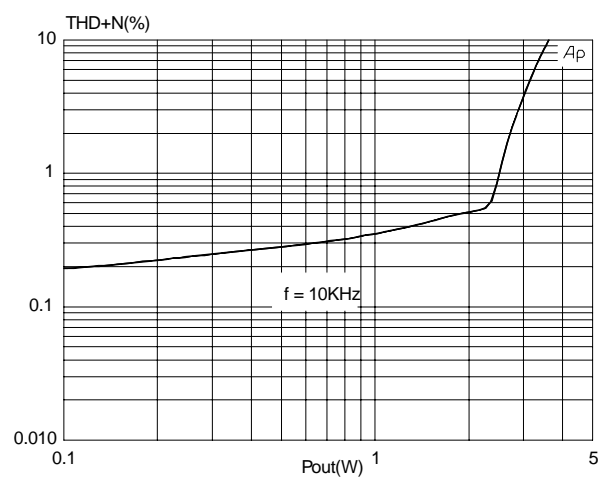


Figure 4. Distortion vs Output Power



Remark: all the characterization curves refer to the electrical test conditions.

Figure 5. Distortion vs Output Power

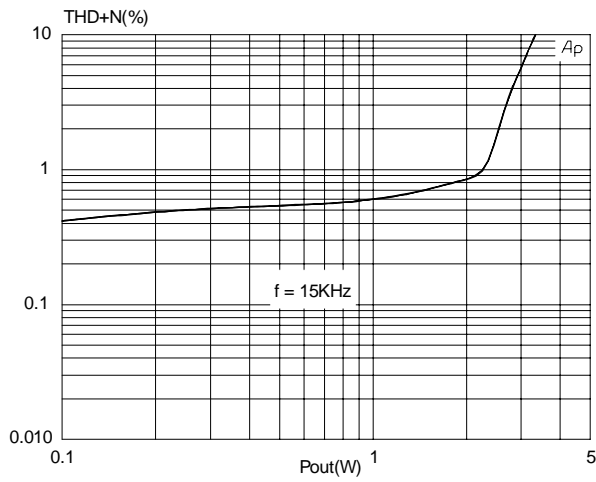


Figure 6. Output Power vs Supply Voltage

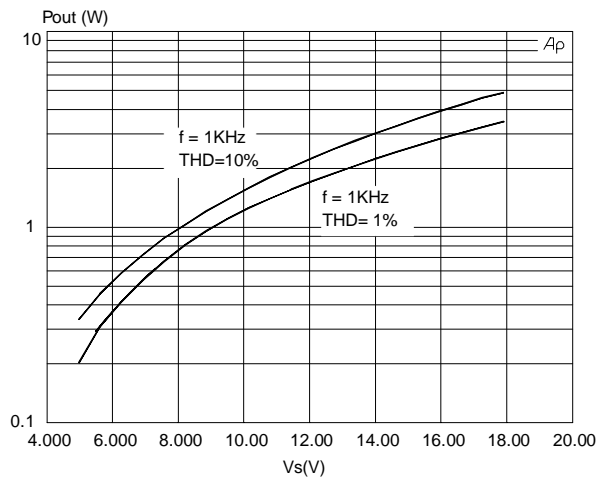


Figure 7. Distortion vs Frequency

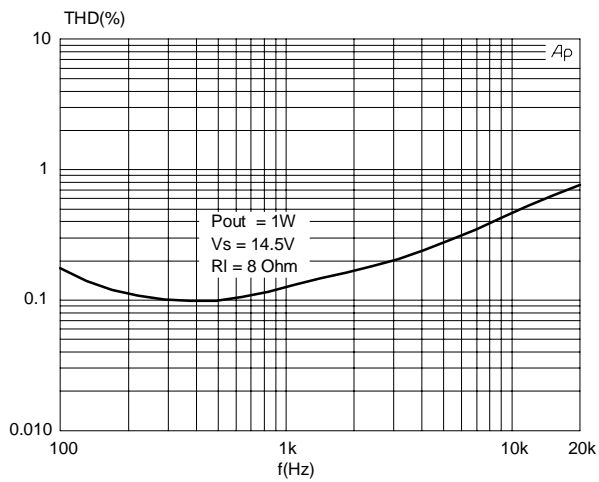


Figure 8. Quiescent current vs Supply Voltage

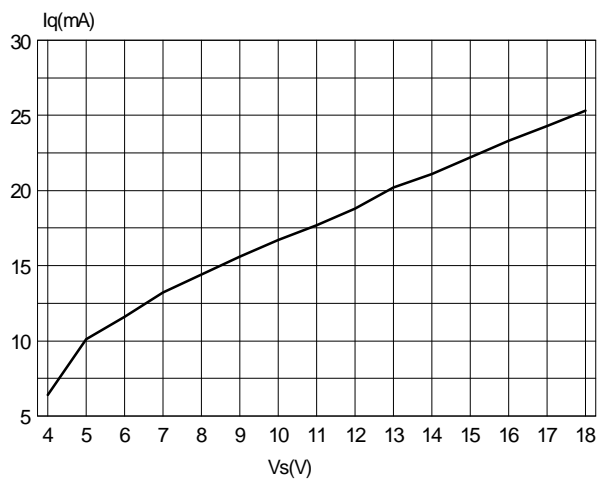
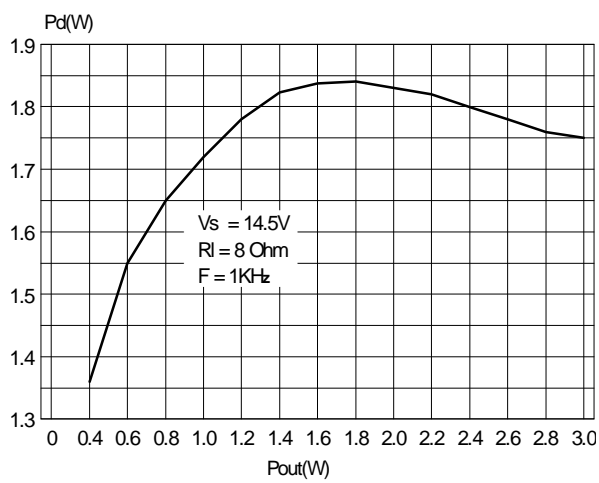
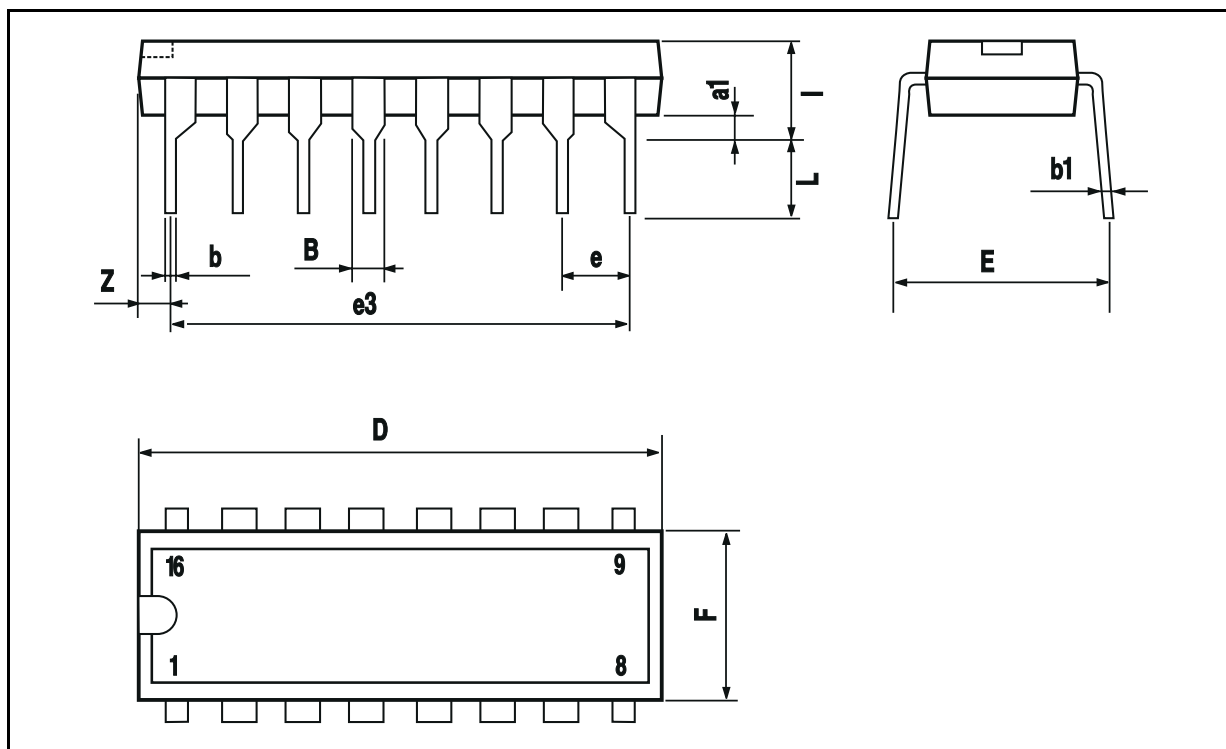


Figure 9. Power dissipation vs Output Power



POWERDIP 8+8 PACKAGE MECHANICAL DATA

DIM.	mm			inch		
	MIN.	TYP.	MAX.	MIN.	TYP.	MAX.
a1	0.51			0.020		
B	0.77		1.65	0.030		0.065
b		0.5			0.020	
b1		0.25			0.010	
D			20			0.787
E		8.5			0.335	
e		2.54			0.100	
e3		17.78			0.700	
F			7.1			0.280
I			5.1			0.201
L		3.3			0.130	
Z			1.27			0.050



Information furnished is believed to be accurate and reliable. However, STMicroelectronics assumes no responsibility for the consequences of use of such information nor for any infringement of patents or other rights of third parties which may result from its use. No license is granted by implication or otherwise under any patent or patent rights of STMicroelectronics. Specification mentioned in this publication are subject to change without notice. This publication supersedes and replaces all information previously supplied. STMicroelectronics products are not authorized for use as critical components in life support devices or systems without express written approval of STMicroelectronics.

The ST logo is a registered trademark of STMicroelectronics
© 1998 STMicroelectronics – Printed in Italy – All Rights Reserved
STMicroelectronics GROUP OF COMPANIES

Australia - Brazil - Canada - China - France - Germany - Italy - Japan - Korea - Malaysia - Malta - Mexico - Morocco - The Netherlands - Singapore - Spain - Sweden - Switzerland - Taiwan - Thailand - United Kingdom - U.S.A.