



TIP102 TIP105 TIP107

COMPLEMENTARY SILICON POWER DARLINGTON TRANSISTORS

- STMicroelectronics PREFERRED SALESTYPES
- COMPLEMENTARY PNP - NPN DEVICES
- INTEGRATED ANTIPARALLEL COLLECTOR-EMITTER DIODE

APPLICATIONS

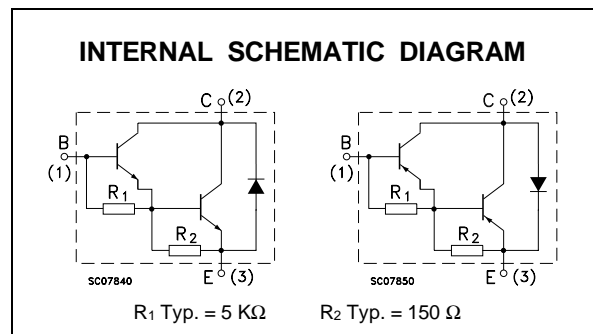
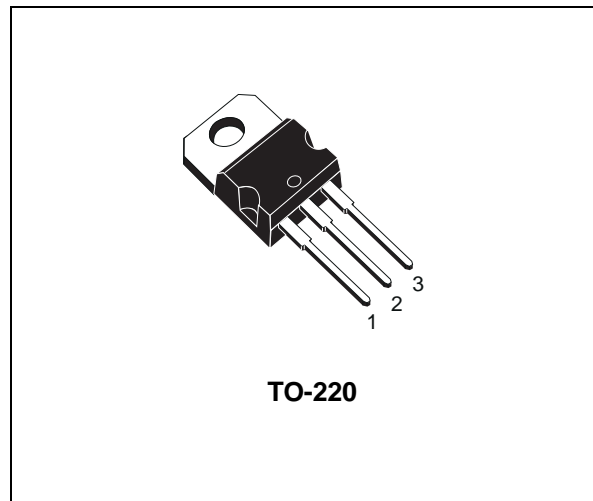
- LINEAR AND SWITCHING INDUSTRIAL EQUIPMENT

DESCRIPTION

The TIP102 is a silicon Epitaxial-Base NPN power transistor in monolithic Darlington configuration mounted in TO-220 plastic package. It is intended for use in power linear and switching applications.

The complementary PNP type is TIP107.

Also TIP105 is a PNP type.



ABSOLUTE MAXIMUM RATINGS

| Symbol | Parameter | Value | | Unit | |
|-----------|--|-------|------------|--------|------------|
| | | NPN | TIP102 | | |
| | | PNP | TIP105 | TIP107 | |
| V_{CBO} | Collector-Base Voltage ($I_E = 0$) | | 60 | 100 | V |
| V_{CEO} | Collector-Emitter Voltage ($I_B = 0$) | | 60 | 100 | V |
| V_{EBO} | Emitter-Base Voltage ($I_C = 0$) | | 5 | | V |
| I_C | Collector Current | | 8 | | A |
| I_{CM} | Collector Peak Current | | 15 | | A |
| I_B | Base Current | | 1 | | A |
| P_{tot} | Total Dissipation at $T_{case} \leq 25^\circ C$ $T_{amb} \leq 25^\circ C$ | | 80 | | W |
| | | | 2 | | W |
| T_{stg} | Storage Temperature | | -65 to 150 | | $^\circ C$ |
| T_j | Max. Operating Junction Temperature | | 150 | | $^\circ C$ |

* For PNP types voltage and current values are negative.

TIP102 / TIP105 / TIP107

THERMAL DATA

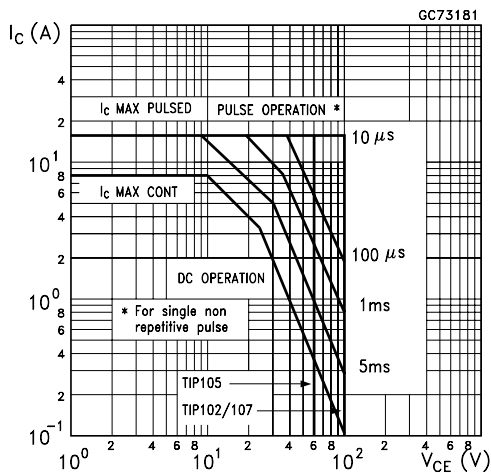
| | | | | |
|-----------------------|-------------------------------------|-----|------|------|
| R _{thj-case} | Thermal Resistance Junction-case | Max | 1.56 | °C/W |
| R _{thj-amb} | Thermal Resistance Junction-ambient | Max | 62.5 | °C/W |

ELECTRICAL CHARACTERISTICS (T_{case} = 25 °C unless otherwise specified)

| Symbol | Parameter | Test Conditions | Min. | Typ. | Max. | Unit |
|-------------------------|---|--|-------------|------|----------|----------|
| I _{CEO} | Collector Cut-off Current (I _B = 0) | for TIP105 V _{CE} = 30 V for TIP102/TIP107 V _{CE} = 50 V | | | 50 50 | μA μA |
| I _{CBO} | Collector Cut-off Current (I _E = 0) | for TIP105 V _{CB} = 60 V for TIP102/TIP107 V _{CB} = 100 V | | | 50 50 | μA μA |
| I _{EBO} | Emitter Cut-off Current (I _C = 0) | V _{EB} = 5 V | | | 8 | mA |
| V _{CEO(sus)} * | Collector-Emitter Sustaining Voltage (I _B = 0) | I _C = 30 mA for TIP105 for TIP102/TIP107 | 60 100 | | | V V |
| V _{CE(sat)} * | Collector-Emitter Saturation Voltage | I _C = 3 A I _B = 6 mA I _C = 8 A I _B = 80 mA | | | 2 2.5 | V V |
| V _{BE} * | Base-Emitter Voltage | I _C = 8 A V _{CE} = 4 V | | | 2.8 | V |
| h _{FE} * | DC Current Gain | I _C = 3 A V _{CE} = 4 V I _C = 8 A V _{CE} = 4 V | 1000 200 | | 20000 | |
| V _F * | Forward Voltage of Commutation Diode (I _B = 0) | I _F = - I _C = 10 A | | | 2.8 | V |

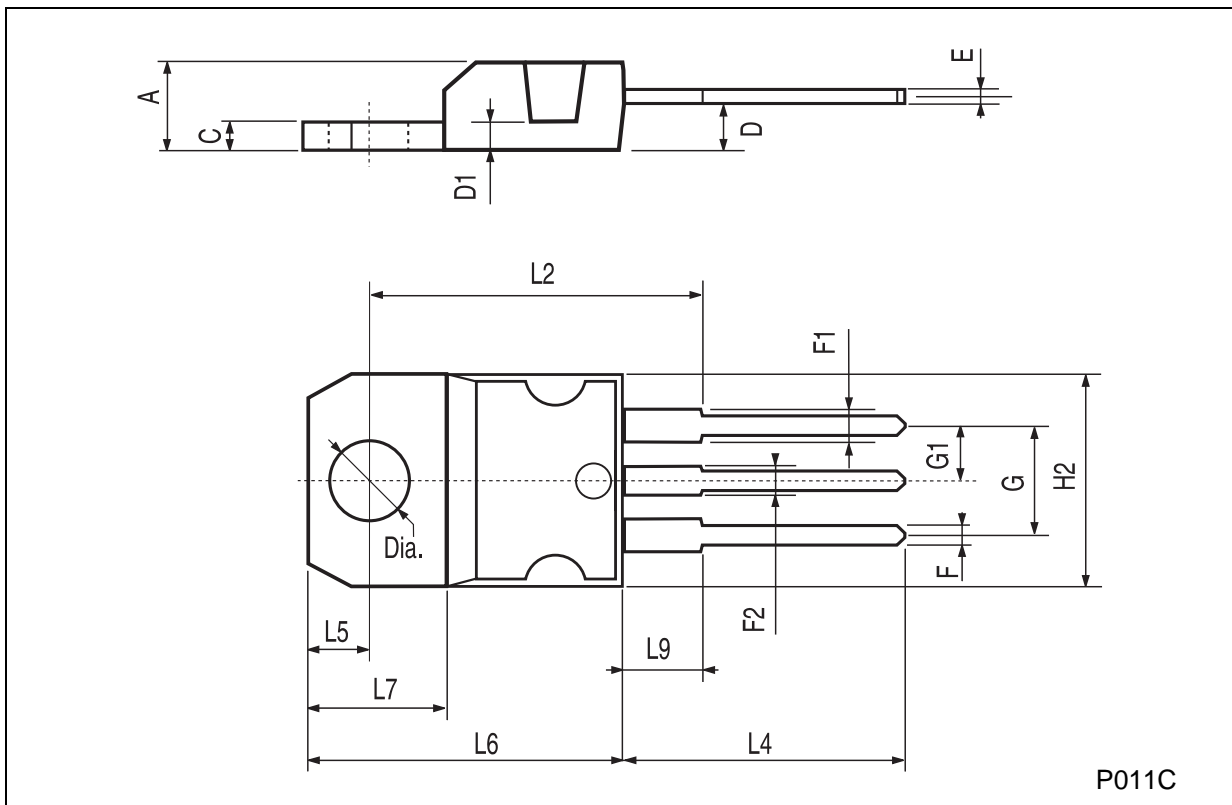
* Pulsed: Pulse duration = 300 μs, duty cycle 1.5 %
For PNP types voltage and current values are negative.

Safe Operating Area



TO-220 MECHANICAL DATA

| DIM. | mm | | | inch | | |
|------|-------|------|-------|-------|-------|-------|
| | MIN. | TYP. | MAX. | MIN. | TYP. | MAX. |
| A | 4.40 | | 4.60 | 0.173 | | 0.181 |
| C | 1.23 | | 1.32 | 0.048 | | 0.051 |
| D | 2.40 | | 2.72 | 0.094 | | 0.107 |
| D1 | | 1.27 | | | 0.050 | |
| E | 0.49 | | 0.70 | 0.019 | | 0.027 |
| F | 0.61 | | 0.88 | 0.024 | | 0.034 |
| F1 | 1.14 | | 1.70 | 0.044 | | 0.067 |
| F2 | 1.14 | | 1.70 | 0.044 | | 0.067 |
| G | 4.95 | | 5.15 | 0.194 | | 0.203 |
| G1 | 2.4 | | 2.7 | 0.094 | | 0.106 |
| H2 | 10.0 | | 10.40 | 0.393 | | 0.409 |
| L2 | | 16.4 | | | 0.645 | |
| L4 | 13.0 | | 14.0 | 0.511 | | 0.551 |
| L5 | 2.65 | | 2.95 | 0.104 | | 0.116 |
| L6 | 15.25 | | 15.75 | 0.600 | | 0.620 |
| L7 | 6.2 | | 6.6 | 0.244 | | 0.260 |
| L9 | 3.5 | | 3.93 | 0.137 | | 0.154 |
| DIA. | 3.75 | | 3.85 | 0.147 | | 0.151 |



Information furnished is believed to be accurate and reliable. However, STMicroelectronics assumes no responsibility for the consequences of use of such information nor for any infringement of patents or other rights of third parties which may result from its use. No license is granted by implication or otherwise under any patent or patent rights of STMicroelectronics. Specification mentioned in this publication are subject to change without notice. This publication supersedes and replaces all information previously supplied. STMicroelectronics products are not authorized for use as critical components in life support devices or systems without express written approval of STMicroelectronics.

The ST logo is a trademark of STMicroelectronics

© 1999 STMicroelectronics – Printed in Italy – All Rights Reserved

STMicroelectronics GROUP OF COMPANIES

Australia - Brazil - China - Finland - France - Germany - Hong Kong - India - Italy - Japan - Malaysia - Malta - Morocco -
Singapore - Spain - Sweden - Switzerland - United Kingdom - U.S.A.

<http://www.st.com>

This datasheet has been download from:

www.datasheetcatalog.com

Datasheets for electronics components.