



TRY

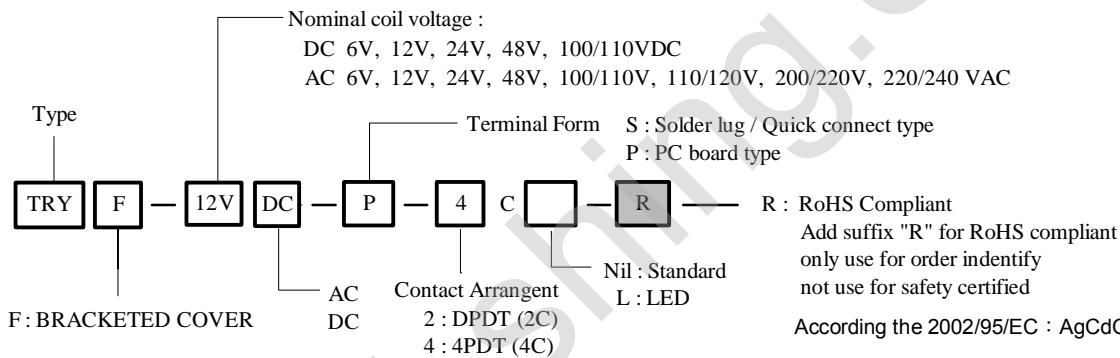
➤ MAIN FEATURES

- Long life and high reliability
- Strong construction for vibration and shock
- Approximately thousands for kinds are available depending on the combination of terminals, covers, contact ratings, coil etc.
- Molded material : All UL 94V-0
- UL & cUL recognized.

➤ APPLICATIONS

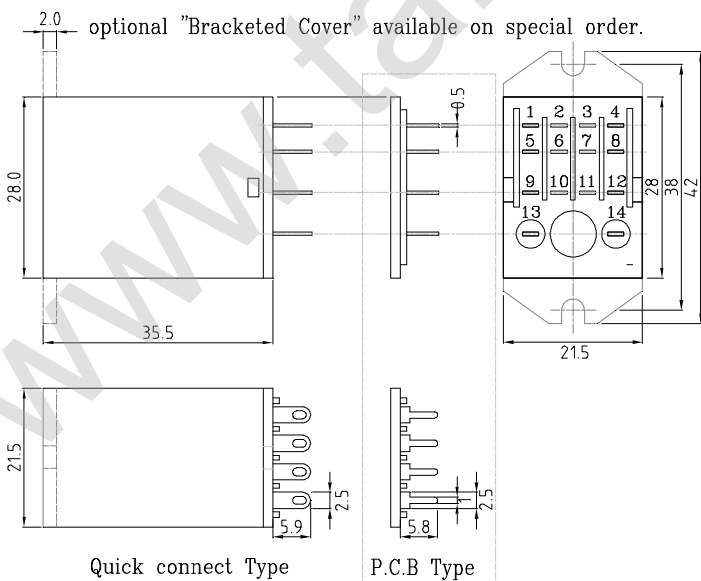
- Power station control equipments
- Transportations
- Refrigerators
- Coil operated machines
- Office machines
- Building control equipments
- Medical equipments
- Amusement devices, etc.

➤ ORDERING INFORMATION



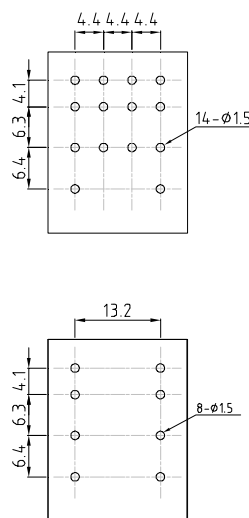
- OD07-0004A (PYF-08AE)
- OD07-0005A (PYF-14AE)
- OD07-0006A (PYF-14A)
- OD07-0007A (PYF-08A)
- OD07-0008A (PY-08-0)
- OD07-0021A (PY-14-0)

■ DIMENSION (unit:mm)

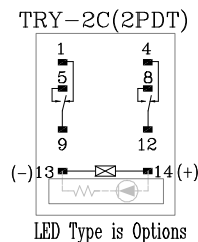
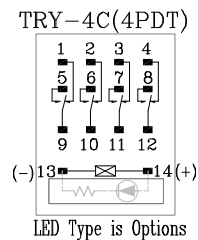


■ DRILLING (unit:mm)

(Bottom views)



■ WIRING DIAGRAM



➤ **COIL DATA CHART**(at 20°C)

Nominal voltage	Pick-Up voltage(Max.)	Drop-out voltage(Min.)	Nominal current	Coil resistance	Power consumption	Max. allowable voltage
AC Type						
VAC	80% of rated voltage	30% of rated voltage	mA(+15%,-20%)	Ω(±10%)	(VA)	(VAC)
6	4.8	1.8	200	11.5	Approx. 1.2VA	110% of nominal voltage
12	9.6	3.6	100	46		
24	19.2	7.2	50	184		
48	38.4	14.4	25	735		
110	88	33	11	3750		
120	96	36	10	4550±15%		
220/240	176/192	66/72	5	14400±15%		
DC Type						
VDC	80% of rated voltage	10% of rated voltage	mA(±10%)	Ω(±10%)	(W)	(VDC)
6	4.8	0.6	150	40	Approx 0.9W	110% of nominal voltage
12	9.6	1.2	75	160		
24	19.2	2.4	36.9	650		
48	38.4	4.8	18.5	2600		
110	88	11	10	11000		

➤ **CONTACT RATING**

Item	Arrangement	TRY -2C (DPDT)	TRY -4C (4PDT)
Contact Capacity		10A 220VAC	5A 220VAC
Resistive load		10A 28VDC	5A 28VDC
cosΦ=1			
Max. switching voltage		220VAC, 28VDC	
Max. switching current		10A	5A
Max. switching power		2200VA, 280W	1100VA, 140W
Min. permissible load		5VDC 100mA	
Contact material		AgCdO	

➤ **PERFORMANCE** (at initial value)

Item	Arrangement	TRY
Contact Resistance		Max. 100mΩ
Operation time (at nominal voltage)		Max. 25msec
Release time (at nominal voltage)		Max. 25msec
Operating frequency		20ops/minute
Insulation resistance		Min. 100MΩ (at 500VDC)
Vibration resistance		Functional : 6G 10 to 55 Hz, at double amplitude of 1mm Destructive : 12G 10 to 55 Hz, at double amplitude of 2mm
Shock resistance		Functional : Min, 20G Destructive : Min, 100G
Dielectric strength		1500VAC. for 1minute between coil and contact. 750VAC. for 1minute between contact sets. 750VAC. for 1minute between open contacts.
Ambient temperature		-40°C to +70°C
Humidity		40 to 85% RH
Life expectancy		Mechanical : 1 x 10 ⁷ operations Electrical : 2 x 10 ⁵ operations (at rated load)
Weight		abt 37grs.
UL & cUL		E156521

This datasheet for reference and subject to change without notice. Please double check final specification with Tai-Shing. (0939AA08VOL01)