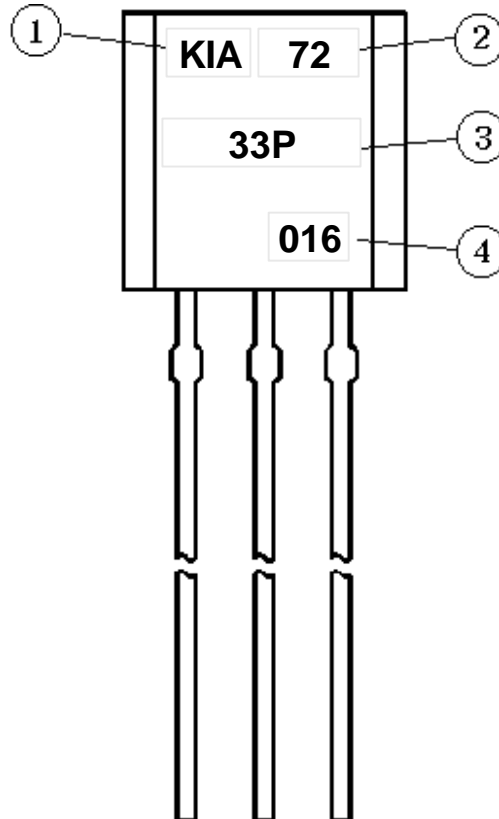


### 1. Marking method

Laser Marking

### 2. Marking



No.	Item	Marking	Description		
1	Trade Name	KIA	KEC Analog Integrated Circuit		
2	Device Name	72	Series Name	KIA7233P	
3		33P	Device Name		
4	Lot No.	016	0	Year	0 ~ 9 : 2000~2009
			16	Week	16 : 16th Week

This datasheet has been downloaded from:

[www.DatasheetCatalog.com](http://www.DatasheetCatalog.com)

Datasheets for electronic components.