

INA84C641

8-BIT MICROCONTROLLERS WITH OCD AND VST

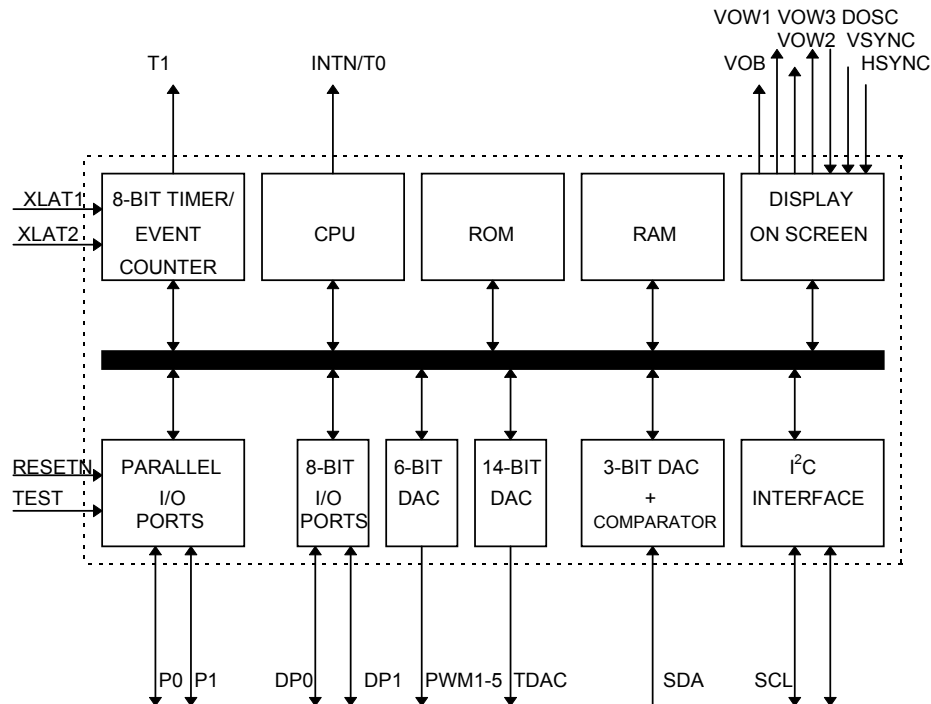
Microcontroller is manufactured in 42-lead plastic DIP-package 2171H0.42-A. Device is functionally identical to the PCA84C641/068 Philips.

BASIC FEATURES.

- Manufactured in 2 μ m silicon gate CMOS process
- TV set switch on/off
- receiving channel subband switching
- fine tuning receiving channel
- automatic frequency control
- PAL/SECAM switching
- volume, brightness, contrast control
- On Screen Display facility
- Operating temperature: -10 - +70 $^{\circ}$ C

BASIC ELECTRICAL CHARACTERISTICS

- Power supply voltage, V	4.5.....5.5
- Supply current, mA	10
- Clock frequency, MHz	10
- Output current LOW for P1, DPO,DP1 ports and LOW3 and VOB pins, mA	1.2
- Output current LOW for port P0, mA	10
- Output voltage HIGH, V	3.7



INA84C641

PIN DESCRIPTION

PIN	SYMBOL	DESCRIPTION
1	DP0.0/Tdac	Derivative Port 0: quasi-bidirectional I/O line or 14-bit DAC PWM
2	DP0.1/PWM1	Derivative Port 1: quasi-bidirectional I/O line or 6-bit DAC PWM
3	DP0.2/PWM2	Derivative Port 1: quasi-bidirectional I/O line or 6-bit DAC PWM
4	DP0.3/PWM3	Derivative Port 1: quasi-bidirectional I/O line or 6-bit DAC PWM
5	DP0.4/PWM4	Derivative Port 1: quasi-bidirectional I/O line or 6-bit DAC PWM
6	DP0.5/PWM5	Derivative Port 1: quasi-bidirectional I/O line or 6-bit DAC PWM
7	P1.0/VHF1	Port 1: quasi-bidirectional I/O lines
8	P1.1/VHF3	Port 1: quasi-bidirectional I/O lines
9	P1.7/AFC	Derivative Port 1: quasi-bidirectional I/O line or comparator input with 3-bit DAC
10	P1.2/VHF	Port 1: quasi-bidirectional I/O lines
11	P1.3/VTR	Port 1: quasi-bidirectional I/O lines
12	P1.4/AV	Port 1: quasi-bidirectional I/O lines
13	P0.0	Port 1: quasi-bidirectional I/O lines
14	P0.1	Port 0: quasi-bidirectional I/O port
15	P0.2	Port 0: quasi-bidirectional I/O port
16	P0.3	Port 0: quasi-bidirectional I/O port
17	P0.4	Port 0: quasi-bidirectional I/O port
18	P0.5	Port 0: quasi-bidirectional I/O port
19	P0.6	Port 0: quasi-bidirectional I/O port
20	P0.7/Mdstr	Port 0: quasi-bidirectional I/O port
21	V _{SS}	Port 0: quasi-bidirectional I/O port
22	DP1.6/VOW1	Ground
23	DP1.5/VOW2	Derivative Port 1: quasi-bidirectional I/O lines or character video output
24	VOW3	Derivative Port 1: quasi-bidirectional I/O lines or character video output
25	Fbl	Character video output of OSD
26	HSYNC	Blanking output
27	VSYNC	Horizontal synchronous signal input
28	DOSC1	Vertical synchronous signal input
29	DOSC2	Connection to LC oscillator of OSD clock
30	Test	Connection to LC oscillator of OSD clock
31	Xlat 1	Control input for testing and emulation mode. Ground for normal operation
32	Xlat 2	Oscillator output or input terminal for system clock
33	Reset N\	Oscillator output or input terminal for system clock
34	IDENT	Initialise input, active LOW
35	Int/Rmot	Direct testable pin and event counter input
36	DP1.3/Sndo	External interrupt or direct testable
37	DP1.2/Effect	Derivative Port 1: quasi-bidirectional I/O lines
38	DP1.1/P/S	Derivative Port 1: quasi-bidirectional I/O lines
39	DP0.7/SCL	Derivative Port 1: quasi-bidirectional I/O lines
40	DP0.6/SDA	Derivative open drain I/O port or I ² C-bus clock line
41	DP1.0/Stdby	Derivative open drain I/O port or I ² C-bus data line
42	V _{DD}	Derivative Port 1: quasi-bidirectional I/O lines Power supply