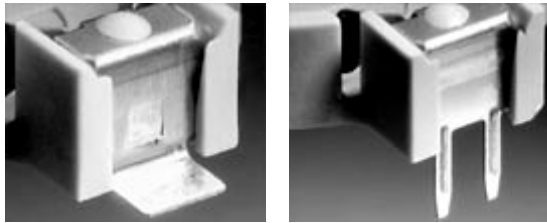


Download [Pdf File](#). Get [Acrobat Reader](#).

Battery Holders for 3V LITHIUM Button Cells



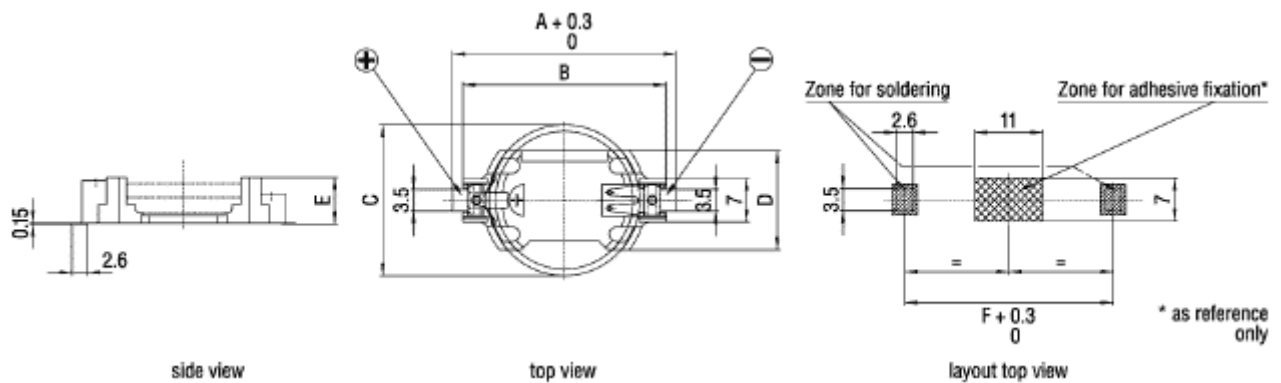
Specifications:

- Holder material: heat resistant, glass fiber filled LCP. Flammability rating UL 94 V-0.
- Battery contacts: spring stainless steel 301 nickel plated throughout, thickness 10µm. Solder area tin/lead plated throughout, thickness 10µm.
- The contact resistance of the (+) and (-) contacts to the cell is less than 100mOhm (measured through AC 1kHz).

Characteristics:

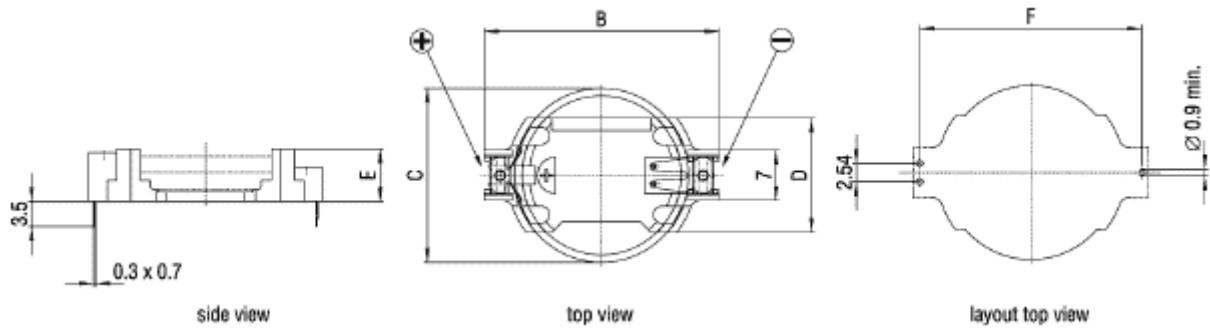
- Easy and fast replacement of battery
- Designed for automatic "pick and place" mounting
- Safe retention of button cell
- Automated battery mounting possible
- Clear separation of connections
- Safety against short circuits
- Safety against inverse polarity (polarized)
- Safety against leak currents
- Solid design

SMT Holders



Type	For use with Renata cell	Maximum Dimensions (mm)						Weight (g)
		A	B	C	D	E	F	
SMTU1225-1	CR1225	23.7	20.3	12.5	12.7	4.8	21.1	0.70
SMTU2032-1	CR2032	32.0	28.5	20.0	16.1	5.4	29.3	0.95
SMTU2430-1	CR2430	36.5	33.0	24.5	16.1	4.9	33.8	1.05
SMTU2450N-1	CR2450N	36.6	33.0	24.5	16.1	7.5	33.8	1.45
SMTU2477N-1	CR2477N	36.7	33.	24.5	16.1	10.3	33.8	1.65

Through Hole Holders



Maximum Dimensions (mm)							
Type	For use with Renata cell	B	C	D	E	F	Weight (g)
HU1225-1	CR1225	20.3	12.5	12.7	4.6	18.7	0.70
HU2032-1	CR2032	28.5	20.0	16.1	5.2	26.9	0.95
HU2430-1	CR2430	33.0	24.5	16.1	4.7	31.5	1.05
HU2450N-1	CR2450N	33.0	24.5	16.1	7.3	31.5	1.45
HU2477N-1	CR2477N	33.0	24.5	16.1	10.1	31.5	1.65