

# HCMS-39x6 and HCMS-39x7

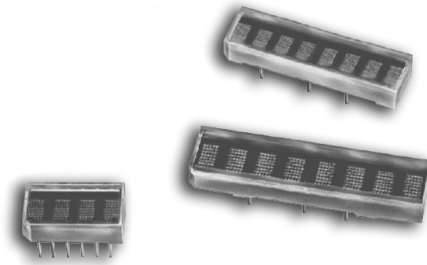
3.3 V High Performance CMOS

5x7 AlphaNumeric Displays



## Data Sheet

HCMS-3906, HCMS-3966, HCMS-3916, HCMS-3976,  
HCMS-3907, HCMS-3967, HCMS-3917, HCMS-3977



### Description

The 3.3 V HCMS-39xx family is similar to the 5.0 V HCMS-29xx family, except it operates at a lower operating voltage. Package dimensions and pin outs are exactly the same for both families. The product has been thoroughly characterized and stringent reliability tested to ensure that the product is of high quality.

Similar to the 5.0 V platform, this family product is a high performance, easy to use dot matrix display driven by on-board CMOS IC. Each display can be directly interfaced with a microprocessor, thus eliminating the need for cumbersome interface components. The serial IC interface allows higher character count information displays with a minimum of data lines. The easy to read 5x7 pixel format allows the display of upper case, lower case, Katakana, and custom user-defined characters. These displays are stackable in the x- and y-directions, making them ideal for high character count displays.

### Features

- Easy to use
- Interfaces directly with microprocessors
- 0.15" character height in 4 and 8 character package
- 0.20" character height in 4 and 8 character package
- Rugged X- and Y-stackable package
- Serial input
- Convenient brightness controls
- Wave solderable
- Low power CMOS technology
- TTL compatible
- 3.3 V operating voltage

### Applications

- Telecommunications equipment
- Portable data entry devices
- Computer peripherals
- Medical equipment
- Test equipment
- Business machines
- Avionics
- Industrial controls

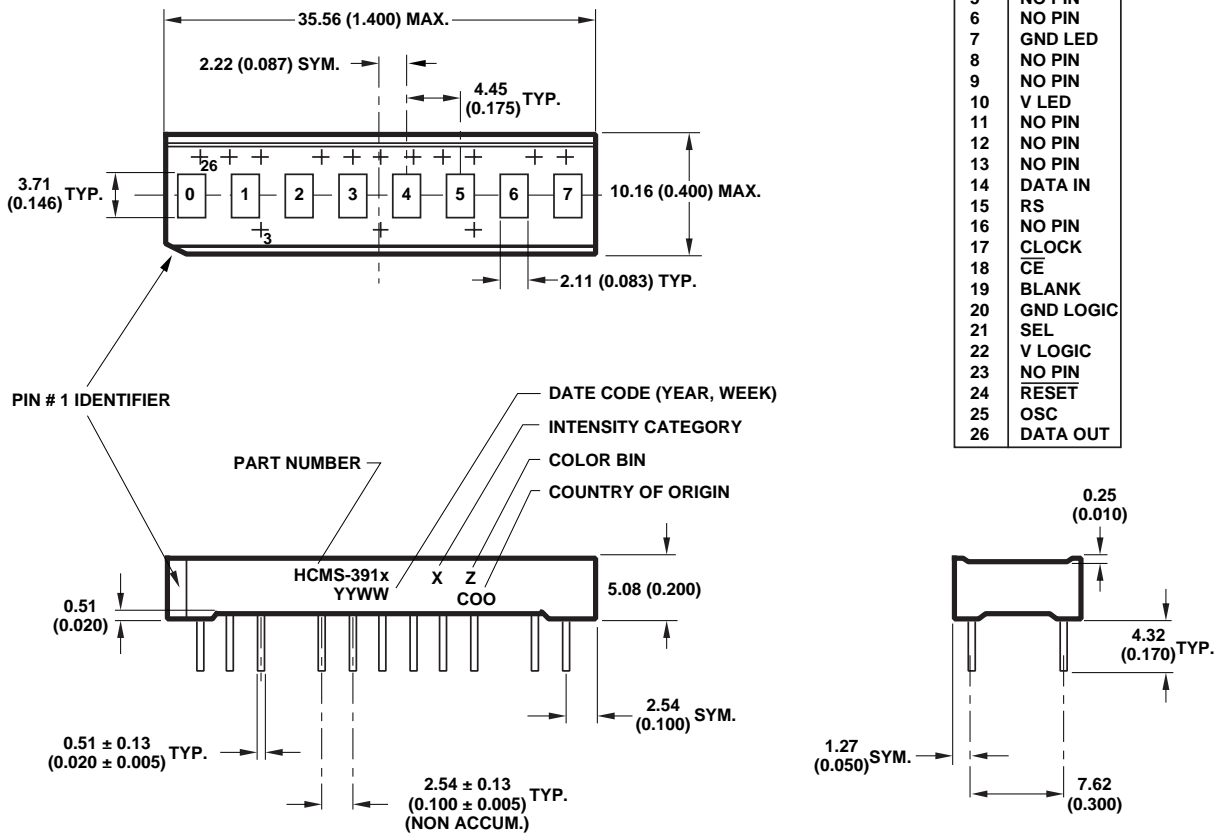
*ESD WARNING: STANDARD CMOS HANDLING PRECAUTIONS SHOULD BE OBSERVED TO AVOID STATIC DISCHARGE*



# Package Dimensions, continued

## PIN FUNCTION ASSIGNMENT TABLE

PIN #	FUNCTION
1	NO PIN
2	NO PIN
3	V LED
4	NO PIN
5	NO PIN
6	NO PIN
7	GND LED
8	NO PIN
9	NO PIN
10	V LED
11	NO PIN
12	NO PIN
13	NO PIN
14	DATA IN
15	RS
16	NO PIN
17	CLOCK
18	CE
19	BLANK
20	GND LOGIC
21	SEL
22	V LOGIC
23	NO PIN
24	RESET
25	OSC
26	DATA OUT



- NOTES:
1. DIMENSIONS ARE IN mm (INCHES).
  2. UNLESS OTHERWISE SPECIFIED, TOLERANCE ON DIMENSIONS IS ± 0.38 mm (0.015 INCH).
  3. LEAD MATERIAL: SOLDER PLATED COPPER ALLOY.

Figure 2. HCMS-391X Package dimensions.

# Package Dimensions, continued

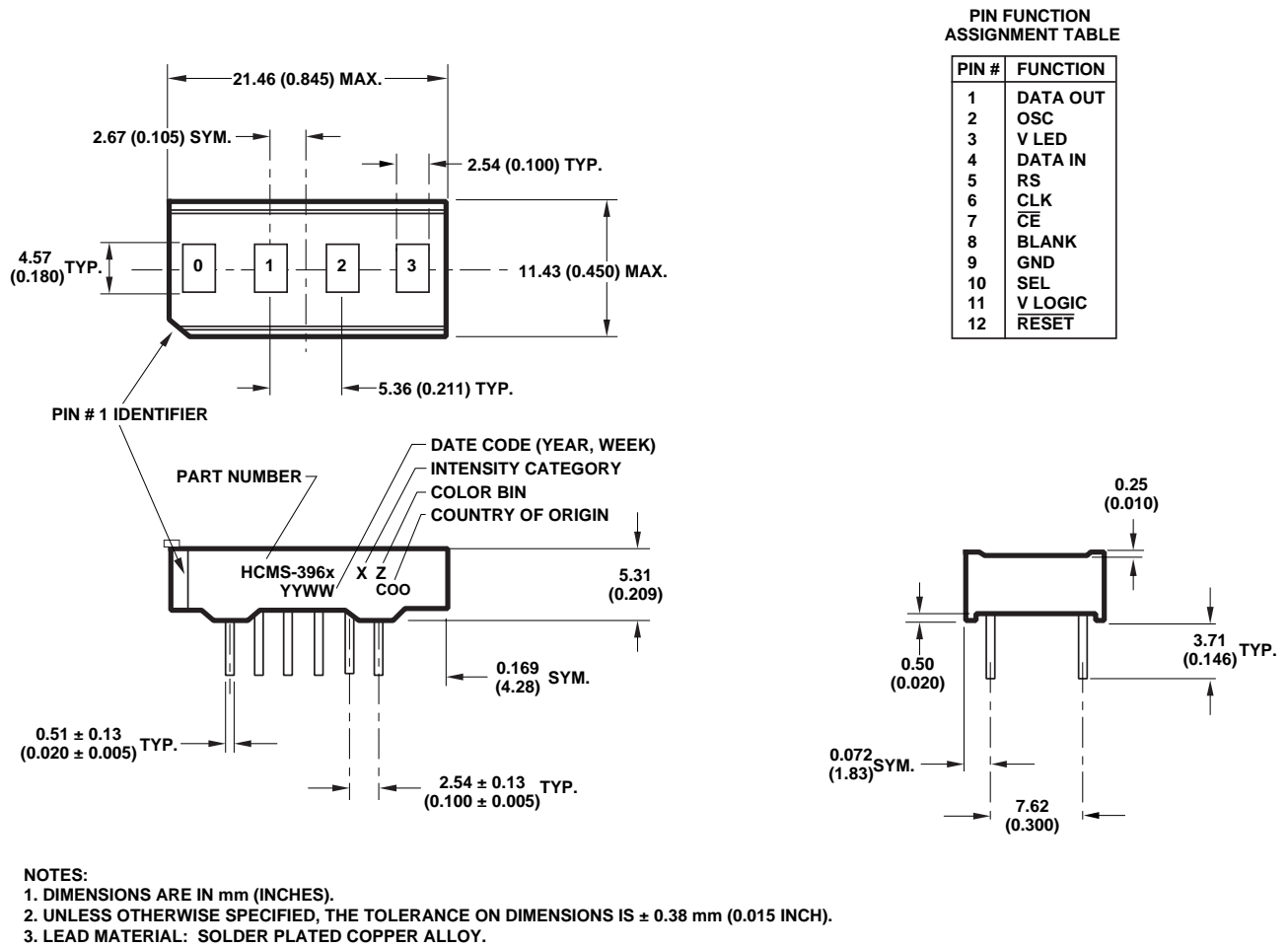
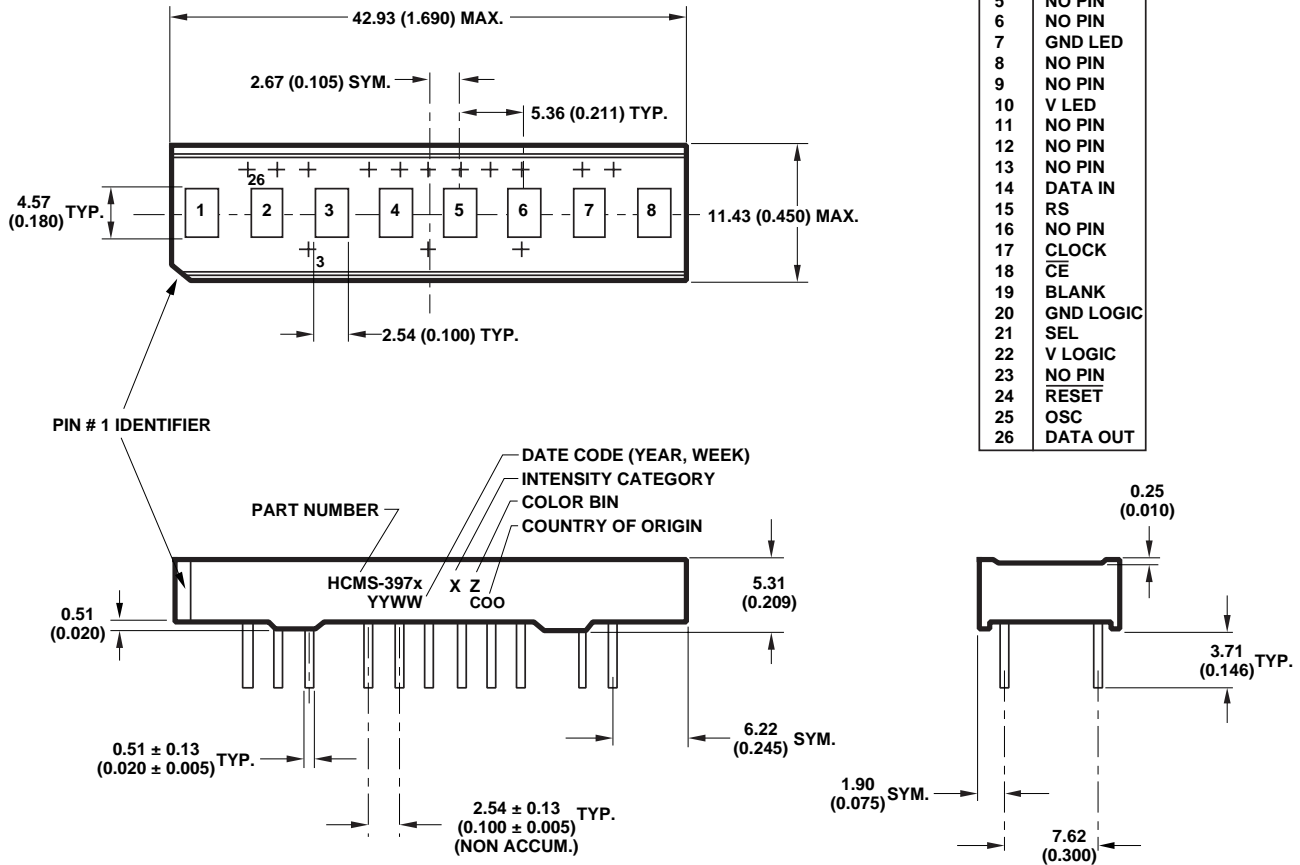


Figure 3. HCMS-396X Package dimensions.

# Package Dimensions, continued

PIN FUNCTION ASSIGNMENT TABLE

PIN #	FUNCTION
1	NO PIN
2	NO PIN
3	V LED
4	NO PIN
5	NO PIN
6	NO PIN
7	GND LED
8	NO PIN
9	NO PIN
10	V LED
11	NO PIN
12	NO PIN
13	NO PIN
14	DATA IN
15	RS
16	NO PIN
17	CLOCK
18	CE
19	BLANK
20	GND LOGIC
21	SEL
22	V LOGIC
23	NO PIN
24	RESET
25	OSC
26	DATA OUT



- NOTES:
1. DIMENSIONS ARE IN mm (INCHES).
  2. UNLESS OTHERWISE SPECIFIED, TOLERANCE ON DIMENSIONS IS ± 0.38 mm (0.015 INCH).
  3. LEAD MATERIAL: SOLDER PLATED COPPER ALLOY.

Figure 4. HCMS-397X Package dimensions.

## Device Selection Guide

Description	Red	Green
1 x 4 0.15" Character	HCMS-3906	HCMS-3907
1 x 8 0.15" Character	HCMS-3916	HCMS-3917
1 x 4 0.20" Character	HCMS-3966	HCMS-3967
1 x 8 0.20" Character	HCMS-3976	HCMS-3977

## Absolute Maximum Ratings

Logic Supply Voltage, $V_{\text{LOGIC}}$ to $\text{GND}_{\text{LOGIC}}$ .....	-0.3 V to 7.0 V
LED Supply Voltage, $V_{\text{LED}}$ to $\text{GND}_{\text{LED}}$ .....	-0.3 V to 5.5 V
Input Voltage, Any Pin to GND .....	-0.3 V to $V_{\text{LOGIC}} + 0.3$ V
Free Air Operating Temperature Range $T_{\text{A}}^{[1]}$ .....	-40°C to +85°C
Relative Humidity (noncondensing) .....	85%
Storage Temperature, $T_{\text{S}}$ .....	-55°C to 100°C
Soldering Temperature [1.59 mm (0.063 in.) below body]	
Solder Dipping .....	260°C for 5 secs
Wave Soldering .....	250°C for 3 secs
ESD Protection @ 1.5 k $\Omega$ , 100 pF (each pin) .....	Class 1, 0-1999 V
TOTAL Package Power Dissipation at $T_{\text{A}} = 25^{\circ}\text{C}^{[1]}$	
4 character .....	0.766 W
8 character .....	1.532 W
16 character .....	3.064 W

**Note:**

1. For operation in high ambient temperatures, see Appendix A, Thermal Considerations.

## Recommended Operating Conditions over Temperature Range (-40°C to +85°C)

Parameter	Symbol	Min.	Max.	Units
Logic Supply Voltage <sup>[1]</sup>	$V_{\text{LOGIC}}$	3.1	5.5	V
LED Supply Voltage <sup>[1]</sup>	$V_{\text{LED}}$	3.1	5.5	V
$\text{GND}_{\text{LED}}$ to $\text{GND}_{\text{LOGIC}}^{[1]}$	–	-0.3	+0.3	V

**Note:**

1. For further description, see Appendix B, Electrical Considerations, “ $V_{\text{LOGIC}}$  and  $V_{\text{LED}}$  Considerations”.

## Electrical Characteristics over Operating Temperature Range (-40°C to +85°C)

Parameter	Symbol	T <sub>A</sub> = 25°C		-40°C < T <sub>A</sub> < 85°C		Units	Test Conditions
		V <sub>LOGIC</sub> = 3.3 V		3.0 V < V <sub>LOGIC</sub> < 5.5 V			
		Typ.	Max.	Min.	Max.		
Input Leakage Current	I <sub>I</sub>					μA	V <sub>IN</sub> = 0 V to V <sub>LOGIC</sub>
HCMS-390X/396X (4 char)			+7.5	-2.5	+50		
HCMS-391X/397X (8 char)			+15	-5.0	+100		
I <sub>LOGIC</sub> OPERATING	I <sub>LOGIC</sub> (OPT)					mA	V <sub>IN</sub> = V <sub>LOGIC</sub>
HCMS-390X/396X (4 char)		0.4	2.5		5		
HCMS-391X/397X (8 char)		0.8	5		10		
I <sub>LOGIC</sub> SLEEP <sup>[1]</sup>	I <sub>LOGIC</sub> (SLP)					μA	V <sub>IN</sub> = V <sub>LOGIC</sub>
HCMS-390X/396X (4 char)		5	15		25		
HCMS-391X/397X (8 char)		10	30		50		
I <sub>LED</sub> BLANK	I <sub>LED</sub> (BL)					mA	BL = 0 V
HCMS-390X/396X (4 char)		2.0	4.0		4.0		
HCMS-391X/397X (8 char)		4.0	8.0		8.0		
I <sub>LED</sub> SLEEP <sup>[1]</sup>	I <sub>LED</sub> (SLP)					μA	
HCMS-390X/396X (4 char)		7.5	20		50		
HCMS-391X/397X (8 char)		15	40		100		
Peak Pixel Current <sup>[2]</sup>	I <sub>PIXEL</sub>	14.0	15.9		17.1	mA	V <sub>LED</sub> = 5.5 V. All pixels ON, average value per pixel
HIGH level input voltage	V <sub>IH</sub>			2.4		V	3.0 V < V <sub>LOGIC</sub> < 5.5 V
LOW level input voltage	V <sub>IL</sub>				0.4	V	3.0 V < V <sub>LOGIC</sub> < 5.5 V
HIGH level output voltage	V <sub>OH</sub>			2.4		V	3.0 V < V <sub>LOGIC</sub> < 5.5 V
LOW level output voltage	V <sub>OL</sub>				0.4	V	3.0 V < V <sub>LOGIC</sub> < 5.5 V
Thermal Resistance	R <sub>θJ-P</sub>	70				°C/W	

### Notes:

- In SLEEP mode, the internal oscillator and reference current for LED drivers are off.
- Average peak pixel current is measured at the maximum drive current set by Control Register 0. Individual pixels may exceed this value.

## Optical Characteristics at 25°C ±1°C<sup>[1]</sup> V<sub>LED</sub> = 3.3 V, 100% Peak Current, 100% Pulse Width

Display Color	Luminous Intensity per LED <sup>[2]</sup> Character Average (μcd)		Peak Wavelength λ <sub>Peak</sub> (nm)	Dominant Wavelength λ <sub>d</sub> <sup>[3]</sup> (nm)
	Min.	Typ.	Typ.	Typ.
Red	520	2300	635	624
Green	520	1000	574	572

### Notes:

- Refers to the initial case temperature of the device immediately prior to measurement.
- Measured with all LEDs illuminated in a digit.
- Dominant wavelength, λ<sub>d</sub>, is derived from the CIE chromaticity diagram and represents the single wavelength which defines the perceived LED color.

## Electrical Description

### Pin Function

$\overline{\text{RESET}}$  ( $\overline{\text{RST}}$ )

### Description

Sets Control Register bits to logic low. The Dot Register contents are unaffected by the Reset pin. (logic low = reset; logic high = normal operation).

DATA IN ( $D_{\text{IN}}$ )

Serial Data input for Dot or Control Register data. Data is entered on the rising edge of the Clock input.

DATA OUT ( $D_{\text{OUT}}$ )

Serial Data output for Dot or Control Register data. This pin is used for cascading multiple displays.

CLOCK (CLK)

Clock input for writing Dot or Control Register data. When  $\overline{\text{Chip Enable}}$  is logic low, data is entered on the rising Clock edge.

REGISTER SELECT (RS)

Selects Dot Register (RS = logic low) or Control Register (RS = logic high) as the destination for serial data entry. The logic level of RS is latched on the falling edge of the  $\overline{\text{Chip Enable}}$  input.

$\overline{\text{CHIP ENABLE}}$  ( $\overline{\text{CE}}$ )

This input must be a logic low to write data to the display. When  $\overline{\text{CE}}$  returns to logic high and CLK is logic low, data is latched to either the LED output drivers or a Control Register.

OSCILLATOR SELECT

Selects either an internal or external display oscillator source. (SEL) (logic low = External Display Oscillator; logic high = Internal Display Oscillator).

OSCILLATOR (OSC)

Output for the Internal Display Oscillator (SEL = logic high) or input for an External Display Oscillator (SEL = logic low).

BLANK (BL)

Blanks the display when logic high. May be modulated for brightness control.

$\text{GND}_{\text{LED}}$

Ground for LED drivers.

$\text{GND}_{\text{LOGIC}}$

Ground for logic.

$V_{\text{LED}}$

Positive supply for LED drivers.

$V_{\text{LOGIC}}$

Positive supply for logic.



## AC Timing Characteristics over Temperature Range (-40 to +85°C)

Timing Diagram Ref. Number	Description	Symbol	4.5 V < V <sub>LOGIC</sub> < 5.5 V		V <sub>LOGIC</sub> = 3 V		Units
			Min.	Max.	Min.	Max.	
1	Register Select Setup Time to $\overline{\text{Chip Enable}}$	t <sub>rss</sub>	10		10		ns
2	Register Select Hold Time to $\overline{\text{Chip Enable}}$	t <sub>rsh</sub>	10		10		ns
3	Rising Clock Edge to Falling $\overline{\text{Chip Enable}}$ Edge	t <sub>clkce</sub>	20		20		ns
4	$\overline{\text{Chip Enable}}$ Setup Time to Rising Clock Edge	t <sub>ces</sub>	35		55		ns
5	$\overline{\text{Chip Enable}}$ Hold Time to Rising Clock Edge	t <sub>ceh</sub>	20		20		ns
6	Data Setup Time to Rising Clock Edge	t <sub>ds</sub>	10		10		ns
7	Data Hold Time after Rising Clock Edge	t <sub>dh</sub>	10		10		ns
8	Rising Clock Edge to D <sub>OUT</sub> [1]	t <sub>dout</sub>	10	40	10	65	ns
9	Propagation Delay D <sub>IN</sub> to D <sub>OUT</sub> Simultaneous Mode for one IC [1,2]	t <sub>doutp</sub>		18		30	ns
10	$\overline{\text{CE}}$ Falling Edge to D <sub>OUT</sub> Valid	t <sub>cedo</sub>		25		45	ns
11	Clock High Time	t <sub>clkh</sub>	80		100		ns
12	Clock Low Time	t <sub>ckl</sub>	80		100		ns
	Reset Low Time	t <sub>rstl</sub>	50		50		ns
	Clock Frequency	F <sub>cyc</sub>		5		4	MHz
	Internal Display Oscillator Frequency	F <sub>inosc</sub>	80	210	80	210	KHz
	Internal Refresh Frequency	F <sub>rf</sub>	150	410	150	410	Hz
	External Display Oscillator Frequency	F <sub>exosc</sub>					
	Prescaler = 1		51.2	1000	51.2	1000	KHz
	Prescaler = 8		410	8000	410	8000	KHz

**Notes:**

1. Timing specifications increase 0.3 ns per pf of capacitive loading above 15 pF.
2. This parameter is valid for Simultaneous Mode data entry of the Control Register.

## Display Overview

The HCMS-39XX series is a family of LED displays driven by on-board CMOS ICs. The LEDs are configured as 5x7 font characters and are driven in groups of 4 characters per IC. Each IC consists of a 160-bit shift register (the Dot Register), two 7-bit Control Words, and refresh circuitry. The Dot Register contents are mapped on a one-to-one basis to the display. Thus, an individual Dot Register bit uniquely controls a single LED.

Eight-character displays have two ICs that are cascaded. The Data Out line of the first IC is internally connected to the Data In line of the second IC forming a 320-bit Dot Register. The display's other control and power lines are connected directly to both ICs.

## Reset

Reset initializes the Control Registers (sets all Control Register bits to logic low) and places the display in the sleep mode. The Reset pin should be connected to the system power on reset circuit. The Dot Registers are not cleared upon power-on or by Reset. After power-on, the Dot Register contents are random; however, Reset will put the display in sleep mode, thereby blanking the LEDs. The Control Register and the Control Words are cleared to all zeros by Reset.

To operate the display after being Reset, load the Dot Register with logic lows. Then load Control Word 0 with the desired brightness level and set the sleep mode bit to logic high.

## Dot Register

The Dot Register holds the pattern to be displayed by the LEDs. Data is loaded into the Dot Register according to the procedure shown in Table 1 and Figure 5.

First RS is brought low, then  $\overline{CE}$  is brought low. Next, each successive rising CLK edge will shift in the data at the  $D_{IN}$  pin. Loading a logic high will turn the corresponding LED on; a logic low turns the LED off. When all 160 bits have been loaded (or 320 bits in an 8-digit display),  $\overline{CE}$  is brought to logic high.

When CLK is next brought to logic low, new data is latched into the display dot drivers. Loading data into the Dot Register takes place while the previous data is displayed and eliminates the need to blank the display while loading data.

**Table 1. Register Truth Table**

Function	CLK	$\overline{CE}$	RS
Select Dot Register	Not Rising	↓	L
Load Dot Register D <sub>IN</sub> = HIGH LED = "ON" D <sub>IN</sub> = LOW LED = "OFF"	↑	L	X
Copy Data from Dot Register to Dot Latch	L	H	X
Select Control Register	Not Rising	↓	H
Load Control Register <sup>[1,3]</sup>	↑	L	X
Latch Data to Control Word <sup>[2]</sup>	L	H	X

**Notes:**

1. BIT D<sub>0</sub> of Control Word 1 must have been previously set to Low for serial mode or High for simultaneous mode.
2. Selection of Control Word 1 or Control Word 0 is set by D<sub>7</sub> of the Control Shift Register. The unselected control word retains its previous value.
3. Control Word data is loaded Most Significant Bit (D<sub>7</sub>) first.

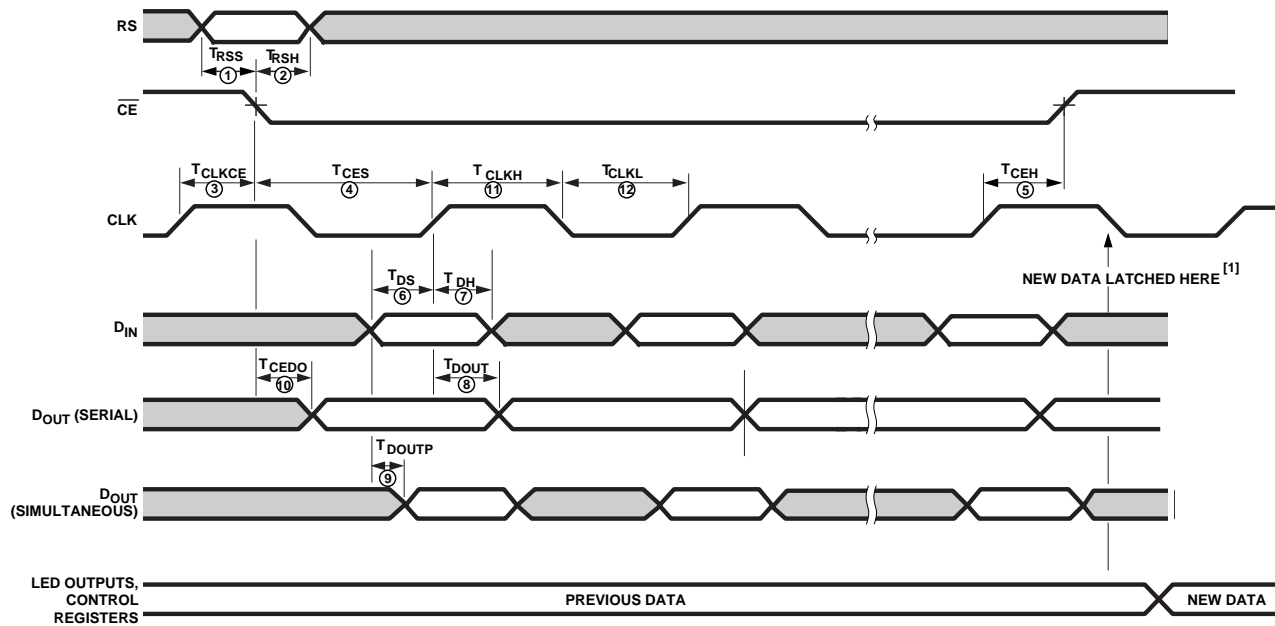


Figure 5. HCMS-39XX write cycle timing diagram.

## Pixel Map

In a 4-character display, the 160-bits are arranged as 20 columns by 8 rows. This array can be conceptualized as four 5 x 8 dot matrix character locations, but only 7 of the 8 rows have LEDs (see Figures 6 & 7). The bottom row (row 0) is not used. Thus, latch location 0 is never displayed. Column 0 controls the left-most column. Data from Dot Latch locations 0-7 determine whether or not pixels in Column

0 are turned-on or turned-off. Therefore, the lower left pixel is turned-on when a logic high is stored in Dot Latch location 1. Characters are loaded in serially, with the left-most character being loaded first and the right-most character being loaded last. By loading one character at a time and latching the data before loading the next character, the figures will appear to scroll from right to left.

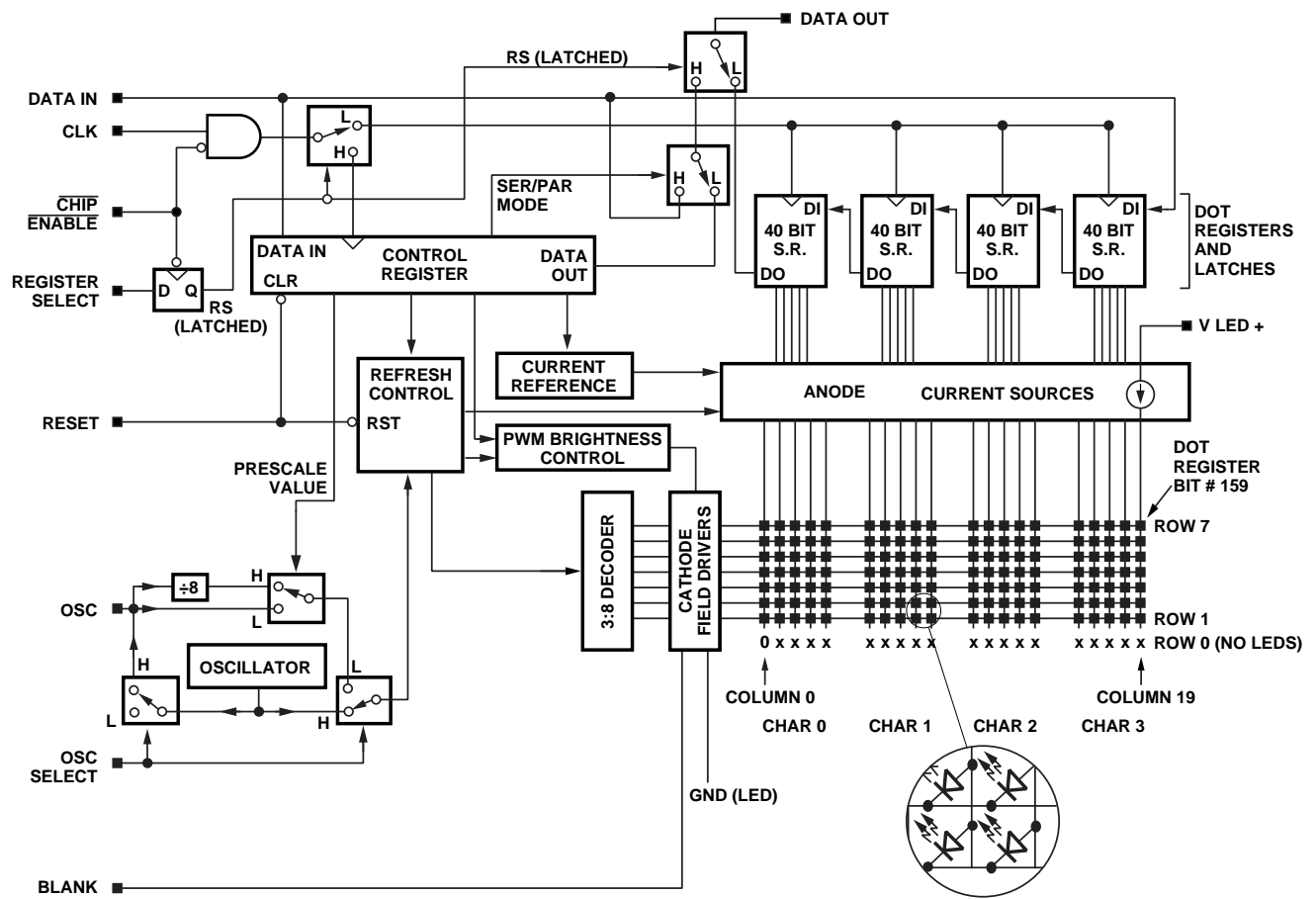


Figure 6. Block diagram for HCMS-39xx.

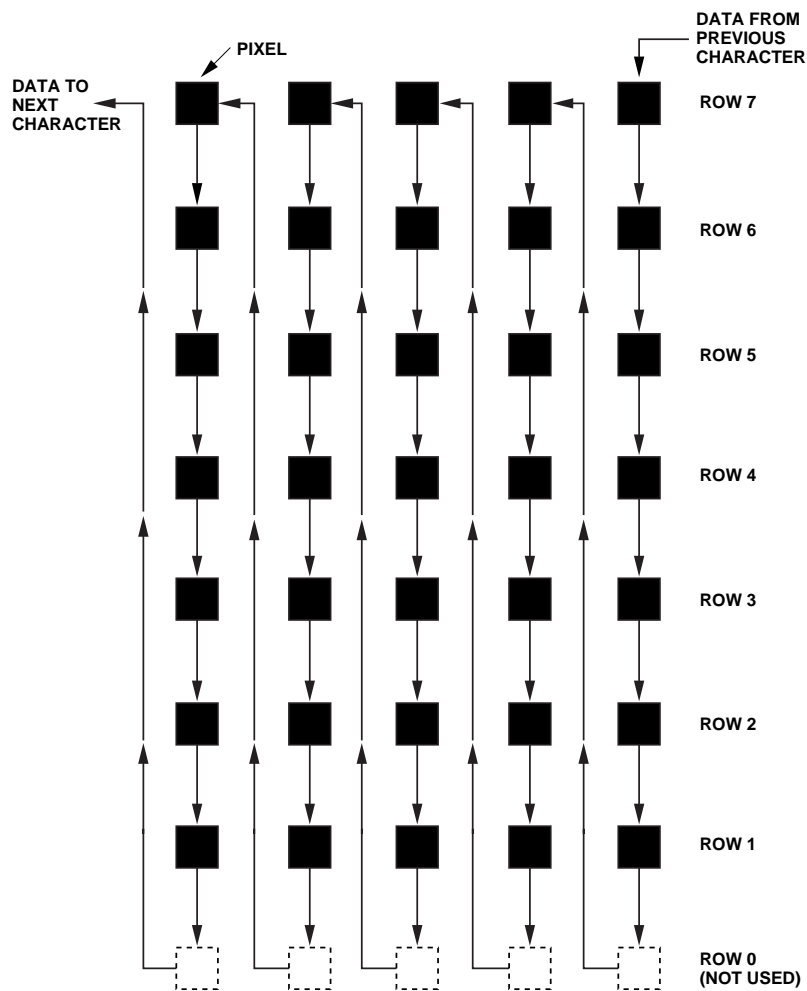


Figure 7. Pixel map.

### Control Register

The Control Register allows software modification of the IC's operation and consists of two independent 7-bit control words. Bit D<sub>7</sub> in the shift register selects one of the two 7-bit control words. Control Word 0 performs pulse width modulation

brightness control, peak pixel current brightness control, and sleep mode. Control Word 1 sets serial/simultaneous data out mode, and external oscillator prescaler. Each function is independent of the others.

### Control Register Data Loading

Data is loaded into the Control Register, MSB first, according to the procedure shown in Table 1 and Figure 5. First, RS is brought to logic high and then  $\overline{CE}$  is brought to logic low. Next, each successive rising CLK edge will shift in the data on the  $D_{IN}$  pin. Finally, when 8 bits have been loaded, the  $\overline{CE}$  line is brought to logic high. When CLK goes to logic low, new data is copied into the selected control word. Loading data into the Control Register takes place while the previous control word configures the display.

### Control Word 0

Loading the Control Register with  $D_7 = \text{Logic low}$  selects Control Word 0 (see Table 2). Bits  $D_0 - D_3$  adjust the display brightness by pulse width modulating the LED on time, while Bits  $D_4 - D_5$  adjusts the display brightness by changing the peak pixel current. Bit  $D_6$  selects normal operation or sleep mode.

Sleep mode (Control Word 0, bit  $D_6 = \text{Low}$ ) turns off the Internal Display Oscillator and the LED pixel drivers. This mode is used when the IC needs to be powered up, but does not need to be

active. Current draw in sleep mode is nearly zero. Data in the Dot Register and Control Words are retained during sleep mode.

### Control Word 1

Loading the Control Register with  $D_7 = \text{logic high}$  selects Control Word 1. This Control Word performs two functions: serial/simultaneous data out mode and external oscillator prescale select (see Table 2).

**Table 2. Control Shift Register.**

CONTROL WORD 0												
L	D <sub>6</sub>	D <sub>5</sub>	D <sub>4</sub>	D <sub>3</sub>	D <sub>2</sub>	D <sub>1</sub>	D <sub>0</sub>					
↑ Bit D <sub>7</sub> Set Low to Select Control Word 0			<b>PWM Brightness Control</b>				<b>On-Time Oscillator Cycles</b>	<b>Duty Factor (%)</b>	<b>Relative Brightness (%)</b>			
			L	L	L	L				0	0	0
			L	L	L	H				1	0.2	1.7
			L	L	H	L				2	0.4	3.3
			L	L	H	H				3	0.6	5.0
			L	H	L	L				4	0.8	6.7
			L	H	L	H				5	1.0	8.3
			L	H	H	L				7	1.4	11.7
			L	H	H	H				9	1.8	15
			H	L	L	L				11	2.1	18
			H	L	L	H				14	2.7	23
			H	L	H	L				18	3.5	30
			H	L	H	H				22	4.3	37
			H	H	L	L				28	5.5	47
			H	H	L	H				36	7.0	60
			H	H	H	L				48	9.4	80
			H	H	H	H				60	11.7	100
		<b>Peak Current Brightness Control</b>		<b>Typical Peak Pixel Current (mA)</b>		<b>Relative Full Scale Current (Relative Brightness, %)</b>						
		H	L	4.0		31						
		L	H	6.4		50						
		L	L	9.3		73 (Default at Power Up)						
		H	H	12.8		100						
<b>SLEEP MODE</b>		L – DISABLES INTERNAL OSCILLATOR-DISPLAY BLANK H – NORMAL OPERATION										

CONTROL WORD 1								
H	L	L	L	L	L	D <sub>1</sub>	D <sub>0</sub>	
↑ Bit D <sub>7</sub> Set High to Select Control Word 1	Reserved for Future Use (Bits D <sub>2</sub> -D <sub>6</sub> must be set Low)					External Display Oscillator Prescaler L – Oscillator Freq ÷ 1 H – Oscillator Freq ÷ 8	Serial/Simultaneous Data Out L – D <sub>OUT</sub> holds contents of Bit D <sub>7</sub> H – D <sub>OUT</sub> is functionally tied to D <sub>in</sub>	

## Serial/Simultaneous Data Output $D_0$

Bit  $D_0$  of control word 1 is used to switch the mode of  $D_{OUT}$  between serial and simultaneous data entry during Control Register writes. The default mode (logic low) is the serial  $D_{OUT}$  mode. In serial mode,  $D_{OUT}$  is connected to the last bit ( $D_7$ ) of the Control Shift Register.

Storing logic high to bit  $D_0$  changes  $D_{OUT}$  to simultaneous mode, which affects the Control Register only. In simultaneous mode,  $D_{OUT}$  is logically connected to  $D_{IN}$ . This arrangement allows multiple ICs to have their Control Registers written to simultaneously. For example, for  $n$  ICs in the serial mode,  $n * 8$  clock pulses are needed to load the same data in all Control Registers. In the simultaneous mode,  $n$  ICs only need 8 clock pulses to load the same data in all Control Registers. The propagation delay from the first IC to the last is  $n * t_{DOUTP}$ .

## External Oscillator Prescaler Bit $D_1$

Bit  $D_1$  of Control Word 1 is used to scale the frequency of an external Display Oscillator. When

this bit is logic low, the external Display Oscillator directly sets the internal display clock rate. When this bit is logic high, the external oscillator is divided by 8. This scaled frequency then sets the internal display clock rate. It takes 512 cycles of the display clock (or  $8 * 512 = 4096$  cycles of an external clock with the divide by 8 prescaler) to completely refresh the display once. Using the prescaler bit allows the designer to use a higher external oscillator frequency without extra circuitry.

This bit has no effect on the internal Display Oscillator Frequency.

## Bits $D_2 - D_6$

These bits must always be programmed to logic low.

## Cascaded ICs

Figure 8 shows how two ICs are connected within an HCMS-39XX display. The first IC controls the four left-most characters and the second IC controls the four right-most characters. The Dot Registers are connected in series to form a 320-bit dot shift register. The location of pixel 0 has not changed. However, Dot Shift Register bit 0 of IC2

becomes bit 160 of the 320-bit dot shift register.

The Control Registers of the two ICs are independent of each other. This means that to adjust the display brightness the same control word must be entered into both ICs, unless the Control Registers are set to simultaneous mode.

Longer character string systems can be built by cascading multiple displays together. This is accomplished by creating a five-line bus. This bus consists of CE, RS, BL, Reset, and CLK. The display pins are connected to the corresponding bus line. Thus, all CE pins are connected to the CE bus line. Similarly, bus lines for RS, BL, Reset, and CLK are created. Then  $D_{IN}$  is connected to the right-most display.  $D_{OUT}$  from this display is connected to the next display. The left-most display receives its  $D_{IN}$  from the  $D_{OUT}$  of the display to its right.  $D_{OUT}$  from the left-most display is not used.

Each display may be set to use its internal oscillator, or the displays may be synchronized by setting up one display as the master and the others as slaves. The slaves are set to receive their oscillator input from the master's oscillator output.



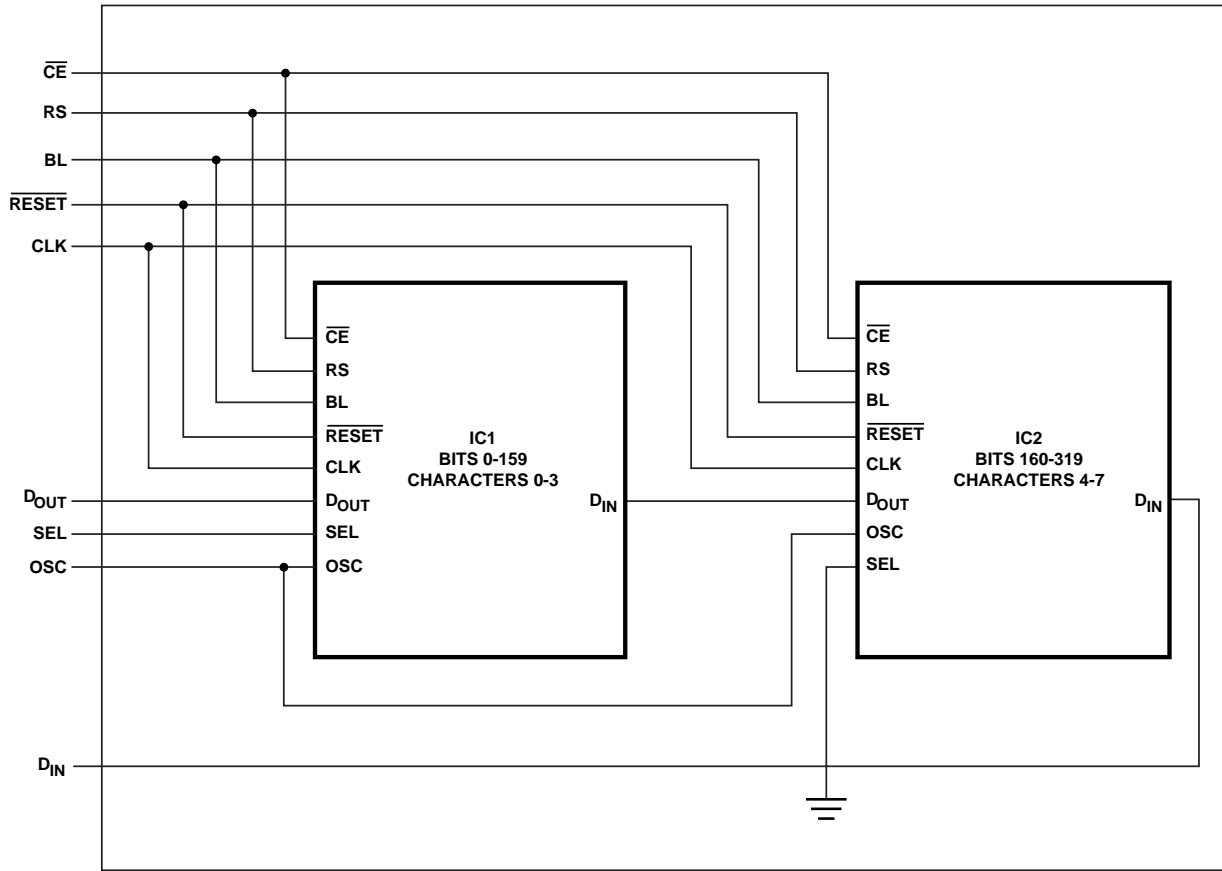


Figure 8. Cascaded ICs.

## Appendix A. Thermal Considerations

The display IC has a maximum junction temperature of 150°C. The IC junction temperature can be calculated with Equation 1 in Table 3.

A typical value for  $R_{\theta JA}$  is 100°C/W. This value is typical for a display mounted in a socket and covered with a plastic filter. The socket is soldered to a .062 inch thick PCB with .020-inch wide,

one ounce copper traces.  $P_D$  can be calculated as Equation 2 in Table 3.

Figure 9 shows how to derate the power of one IC versus ambient temperature. Operation at high ambient temperatures may require the power per IC to be reduced. The power consumption can be reduced by changing the  $N$ ,  $I_{PIXEL}$ ,  $Osc\ cyc$  or  $V_{LED}$ . Changing  $V_{LOGIC}$  has very little impact on the power consumption.

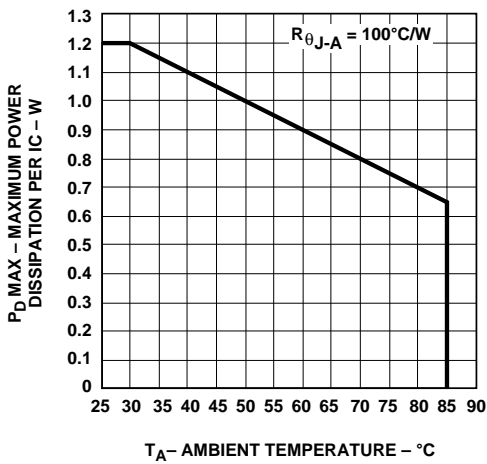


Figure 9. Maximum power dissipation per IC versus ambient temperature.

## Appendix B. Electrical Considerations

### Current Calculations

The peak and average display current requirements have a significant impact on power supply selection. The maximum peak current is calculated with Equation 3 in Table 3.

The average current required by the display can be calculated with Equation 4 in Table 3.

The power supply has to be able to supply  $I_{PEAK}$  transients and supply  $I_{LED}$  (AVG) continuously. The range on  $V_{LED}$  allows noise on this supply without significantly changing the display brightness.

### $V_{LOGIC}$ and $V_{LED}$ Considerations

The display uses two independent electrical systems. One system is used to power the display's logic and the other to power the display's LEDs. These two systems keep the logic supply clean.

Separate electrical systems allow the voltage applied to  $V_{LED}$  and  $V_{LOGIC}$  to be varied independently. Thus,  $V_{LED}$  can vary from 0 to 5.5 V without affecting either the Dot or the Control Registers.  $V_{LED}$  can be varied between 3.1 to 5.5 V without much noticeable variation in light output to the human eyes. There is also no pixel mismatch observed.

The intensity of the light output takes a plunge if operated less than 3.1 V. There is also no pixel mismatch observed at voltage as low as 2.6 V. However, operating below 3.1 V is not recommended. Dimming the display by pulse width modulating  $V_{LED}$  is also not recommended.

$V_{LOGIC}$  can vary from 3.0 to 5.5 V without affecting either the displayed message or the display intensity. However, operating below 3 V may change the timing and logic levels and may cause Dot and Control Registers to be altered. Thus, operation of the display below 3.0 V is not recommended.

The logic ground is internally connected to the LED ground by a substrate diode. This diode becomes forward biased and conducts when the logic ground is 0.4 V greater than the LED ground. The LED ground and the logic ground should be connected to a common ground, which can withstand the current introduced by the switching LED drivers. When separate ground

**Table 3. Equations.**

#### Equation 1:

$$T_J \text{ MAX} = T_A + P_D * R_{\theta JA}$$

Where:  $T_J \text{ MAX}$  = maximum IC junction temperature

$T_A$  = ambient temperature surrounding the display

$R_{\theta JA}$  = thermal resistance from the IC junction to ambient

$P_D$  = total power dissipation

#### Equation 2:

$$P_D = (N * I_{PIXEL} * \text{Duty Factor} * V_{LED}) + I_{LOGIC} * V_{LOGIC}$$

Where:  $P_D$  = total power dissipation

$N$  = number of pixels on (maximum 4 char \* 5 \* 7 = 140)

$I_{PIXEL}$  = peak pixel current.

Duty Factor =  $1/8 * \text{Osc cyc}/64$

Osc cyc = number of ON oscillator cycles per row

$I_{LOGIC}$  = IC logic current

$V_{LOGIC}$  = logic supply voltage

#### Equation 3:

$$I_{PEAK} = M * 20 * I_{PIXEL}$$

Where:  $I_{PEAK}$  = maximum instantaneous peak current for the display

$M$  = number of ICs in the system

20 = maximum number of LEDs on per IC

$I_{PIXEL}$  = peak current for one LED

#### Equation 4:

$$I_{LED} \text{ (AVG)} = N * I_{PIXEL} * 1/8 * (\text{oscillator cycles})/64$$

(See Variable Definitions above)

connections are used, the LED ground can vary from -0.3 V to +0.3 V with respect to the logic ground. Voltages below -0.3 V can cause all the dots to be ON. Voltage above +0.3 V can cause dimming and dot mismatch.

Using a decoupling capacitor between the power supply and ground will help prevent any supply noise in the frequency range greater than that of the functioning display from interfering with the display's internal circuitry. The value of the capacitor depends on the series resistance from the ground back to the power supply and the range of frequencies that need to be suppressed. It is also advantageous to use the largest ground plane possible.

### Electrostatic Discharge

The inputs to the ICs are protected against static discharge and input current latch up. However, for best results, standard CMOS handling precautions should be used. Before use, the HCMS-39XX should be stored in antistatic tubes or in conductive material. During assembly, a grounded conductive work area should be used and assembly personnel should wear conductive wrist straps. Lab coats made of synthetic material should be avoided since they are prone to static buildup. Input current latch up is caused when the CMOS inputs are subjected to either a voltage below ground ( $V_{IN} < \text{ground}$ ) or to a voltage higher than  $V_{LOGIC}$  ( $V_{IN} > V_{LOGIC}$ ) and when a high current is forced into the input. To prevent input current latch up and ESD damage, unused inputs should be connected to either ground or  $V_{LOGIC}$ . Voltages should not be applied to the inputs until  $V_{LOGIC}$  has been applied to the display.

### Appendix C. Oscillator

The oscillator provides the internal refresh circuitry with a signal that is used to synchronize the columns and rows. This ensures that the right data is in the dot drivers for that row. This signal can be supplied from either an external source or the internal source.

A display refresh rate of 100 Hz or faster ensures flicker-free operation. Thus, for an external oscillator the frequency should be greater than or equal to  $512 \times 100 \text{ Hz} = 51.2 \text{ kHz}$ . Operation above 1 MHz without the prescaler or 8 MHz with the prescaler may cause noticeable pixel-to-pixel mismatch.

### Appendix D. Refresh Circuitry

This display driver consists of 20 one-of-eight column decoders and 20 constant current sources, 1 one-of-eight row decoder and eight row sinks, a pulse width modulation control block, a peak current control block, and the circuit to refresh the LEDs. The refresh counters and oscillator are used to synchronize the columns and rows.

The 160 bits are organized as 20 columns by 8 rows. The IC illuminates the display by sequentially turning ON each of the 8 row-drivers. To refresh the display once takes 512 oscillator cycles. Because there are eight row drivers, each row driver is selected for 64 ( $512/8$ ) oscillator cycles. Four cycles are used to briefly blank the display before the following row is switched on. Thus, each row is ON for 60 oscillator cycles out of a possible 64. This corresponds to the maximum LED on time.

The temperature of the display will also affect the LED brightness as shown in Figure 10.

## Appendix E. Display Brightness

Two ways have been shown to control the brightness of this LED display: setting the peak current and setting the duty factor. Both values are set in Control Word 0. To compute the resulting display brightness when both PWM and peak current control are used, simply multiply the two relative brightness factors. For example, if Control Register 0 holds the word

1001101, the peak current is 73% of full scale (BIT D<sub>5</sub>= L, BIT D<sub>4</sub> = L) and the PWM is set to 60% duty factor (BIT D<sub>3</sub> = H, BIT D<sub>2</sub> = H, BIT D<sub>1</sub> = L, BIT D<sub>0</sub> = H). The resulting brightness is 44% (.73 x .60 = .44) of full scale.

The temperature of the display will also affect the LED brightness as shown in Figure 10.

## Appendix F. Reference Material

Application Note 1027:  
*Soldering LED Components*

Application Note 1015: *Contrast Enhancement Techniques for LED Displays*

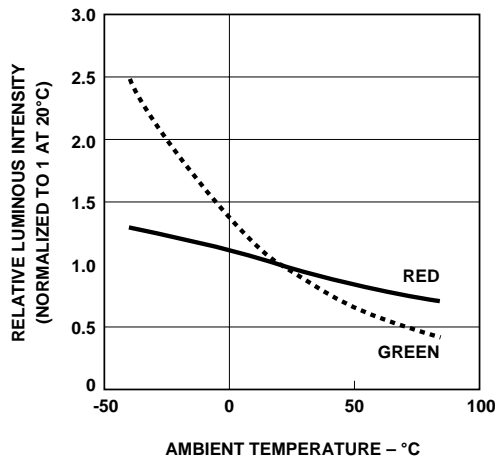


Figure 10. Relative luminous Intensity versus ambient temperature.

For product information and a complete list of distributors, please go to our website: [www.avagotech.com](http://www.avagotech.com)

Avago, Avago Technologies, and the A logo are trademarks of Avago Technologies, Limited in the United States and other countries.  
Data subject to change. Copyright © 2006 Avago Technologies Pte. All rights reserved. Obsoletes 5988-7528EN  
5989-3185EN May 27, 2006

