

## Mini Stage Lighting User Manual

### Unboxing check

Thank you for using our products. For the sake of safety and better operation of this projector, please read this manual carefully before using and operating it, lest incur any personal injury or damage to the projector.

### Package list:

1. Projector 1PC
2. AC power supply 1PC
3. Owen's Manual 1PC
4. Tripod 1PC

### Notice:

1. Please operate the projector according to The Manual strictly.
2. This unit is intended for indoor use only and should be prevented from water, moisture and shake.
3. The working temperature of this unit is 15-30 °C, and it must be powered off after continuously working 2 hours to let the laser diodes cool down.
4. To keep the body of this unit clean to avoid any unnecessary troubles.
5. Do not turn on and off it frequently and try to avoid making it worked for a long time.
6. Do not use the telescope to watch the laser rays, otherwise will be larger the dangers.
7. You had better use the original package during the transportation.

### Warnings:

1. The grade of the laser for it is Class III A, and will be dangerous if exposure to the eyes directly.
2. The working Voltage is 110-240 V / 50-60 Hz, once exceeded this range its lifetime will be shorten.

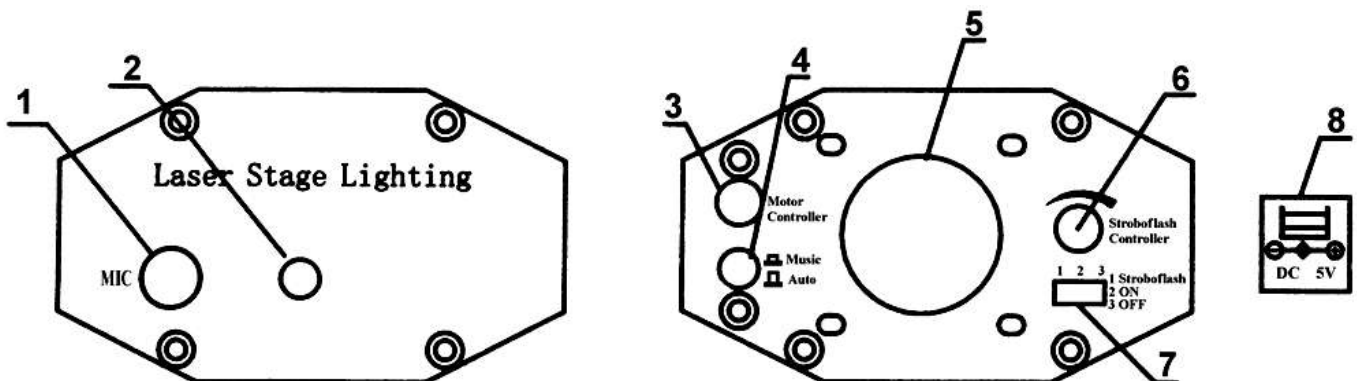
### Statement:

All the projectors are examined strictly before shipment, in that case the user should operate it according to the manual strictly, We and the distributor will not be responsible for any mistakes cause by the wrong operations.

### Specification:

1. Power: AC power supply Input AC 110 V - 240 V / 50 - 60 Hz, Output DC 5 V / 1 - 1,5 A;
2. Laser generator-Wavelength: 532 nm (Green), 660 nm (Red);
3. Dimension: 130\*92\*52 mm;
4. Weight: 0,6 kG.

### Panel:



1. MIC;
2. Laser Aperture;
3. Knob 1: Regulating the rev of the motor;
4. Sound Active & Auto Model;
5. Cooling: Fan;
6. Knob 2: Adjusting the frequency of the strobeflash;
7. Switch 1:Strobeflash / 2:ON / 3: OFF;
8. Power Jack.