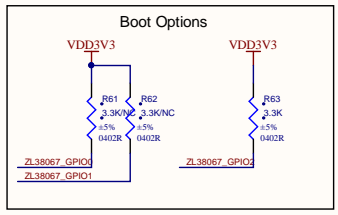
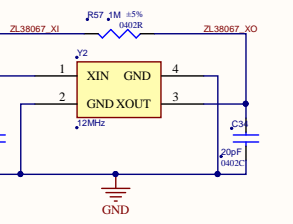


I2C Setting
 Maximum I2C clock speed : 400KHz
 SPI_DIN=0 SET I2C ADDRESS 100010117AD01
 ZL38067_SPI_CLK=0 SET FBI DUS TO I2C

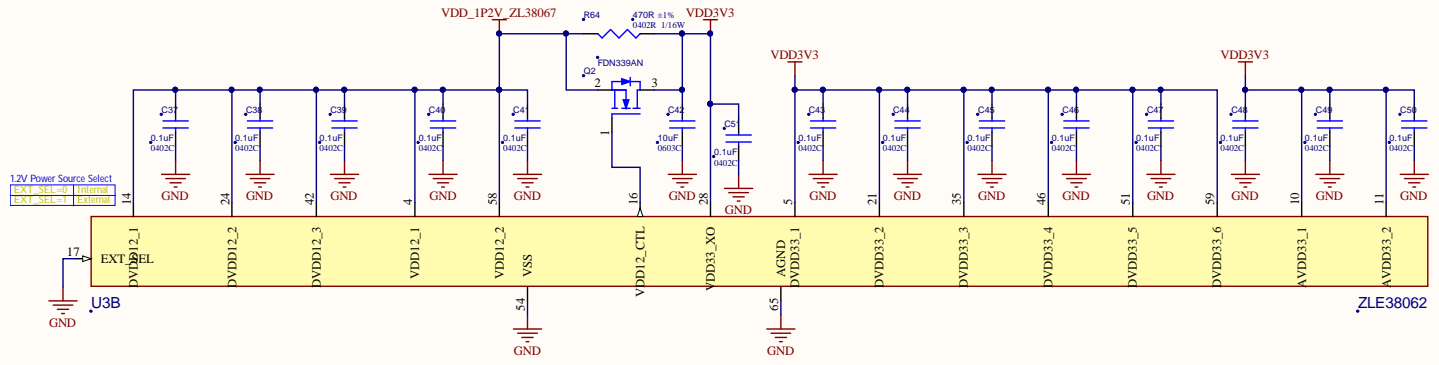
I2S_SDIA >>> I2S_SDIA
 I2S_WSA >>> I2S_WSA
 I2S_SCKA >>> I2S_SCKA

ZL38067_NINT >>> ZL38067_NINT
 I2C_SCLK >>> I2C_SCLK
 I2C_SD >>> I2C_SD

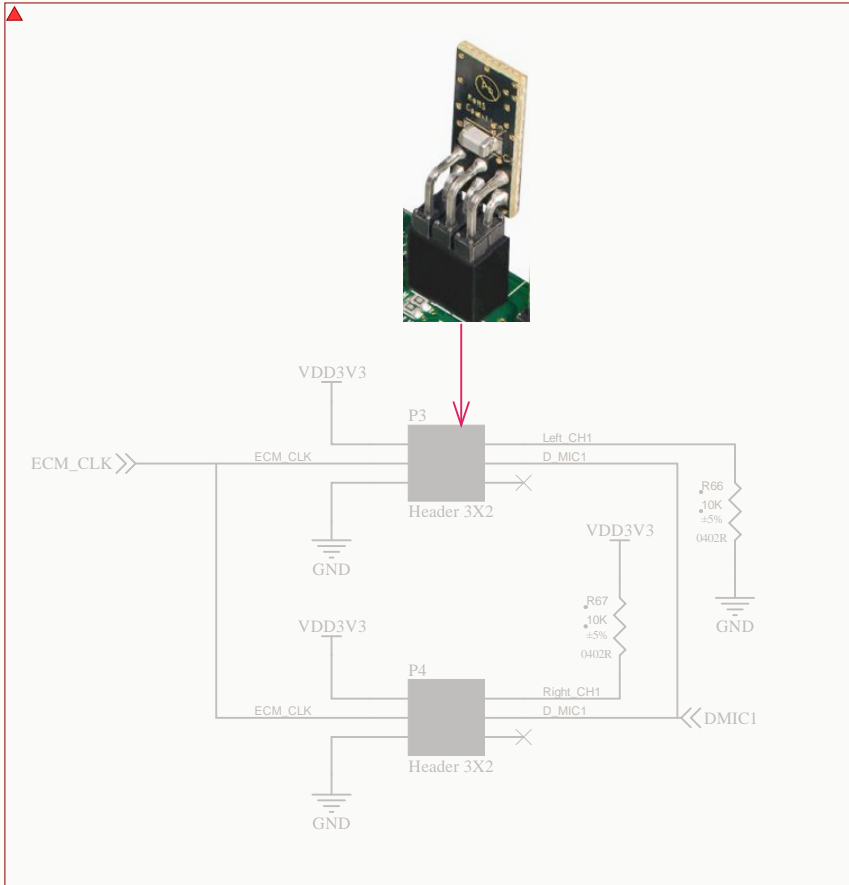
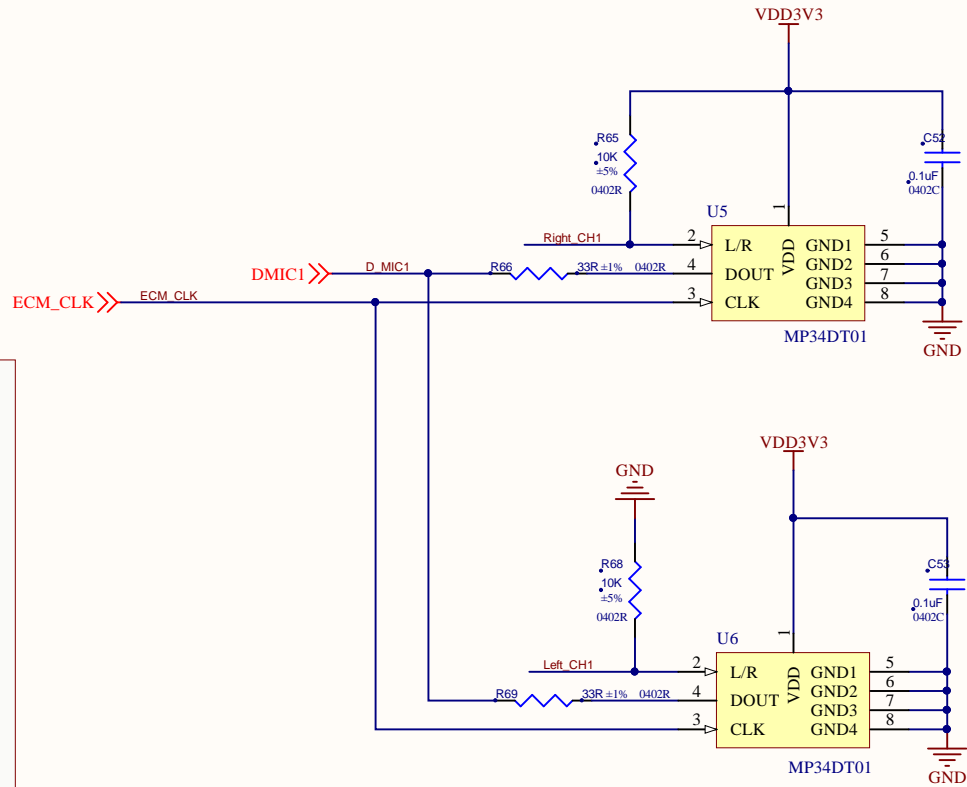


Boot Options

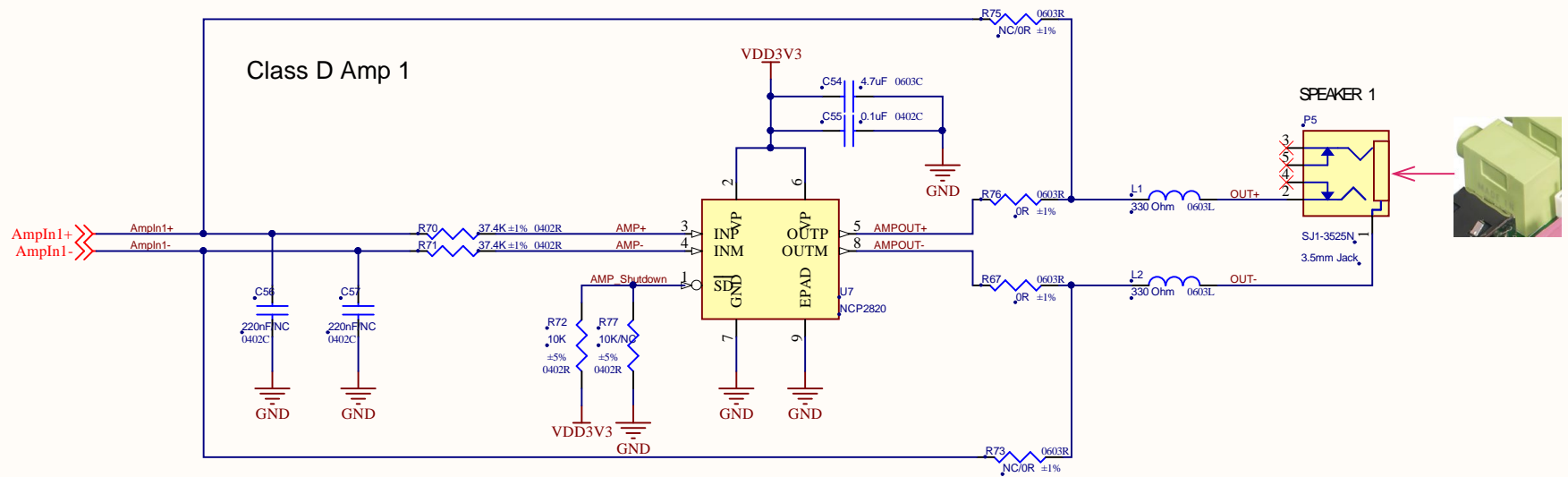
GPIO_2	Operating Mode	Description	Notes
0	Host boot (default)	Boot source selection	
1	Auto Boot from External Flash		1



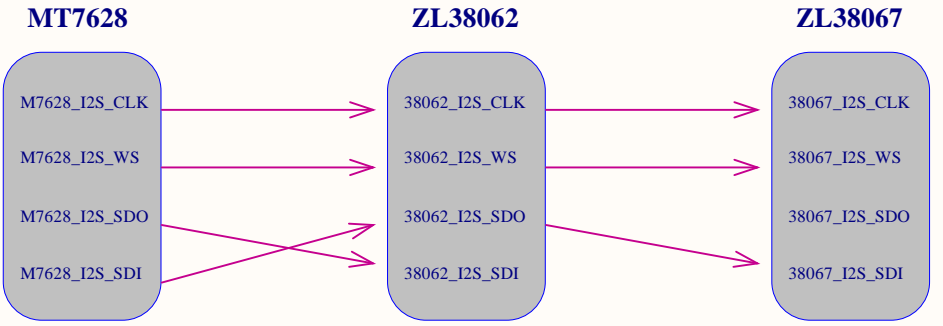
Digital MIC



Title WisAudio_1V1.PrjPcb		RAKWIRELESS Technology Co., Ltd	
Doc Number: 03_Microphone.SchDoc		Nanshan District	
Designer: *	Size: A4	Revision: V1.0	Shenzhen RAK 瑞科慧联
Date: 2017/4/1	Modified: 2017/3/29	Sheet * of *	China <small>The simplest, the best!</small>



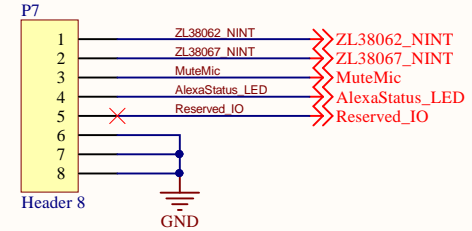
Title WisAudio_IV1.PrjPcb			RAKWIRELESS Technology Co., Ltd
Doc Number: 04_Speaker.SchDoc			Nanshan District
Designer: *	Size: A4	Revision: V1.0	Shenzhen RAK 瑞科慧联
Date: 2017/4/1	Modified: 2017/4/1	Sheet * of *	China <small>The simplest, the best!</small>



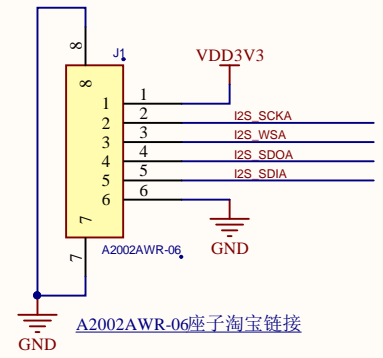
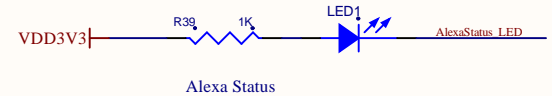
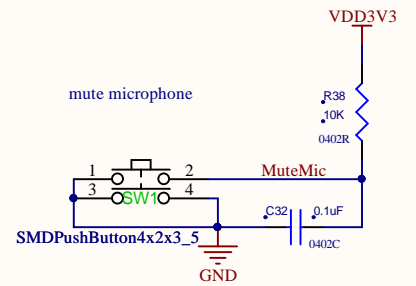
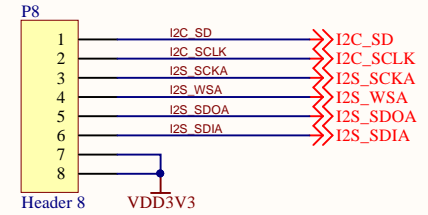
WisAP Board

Sound interface

- ZL38062_NINT
- ZL38067_NINT
- ZL38067_RERST_N
- ZL38067_GPIO7
- ZL38062_RERST_N
- GND
- GND
- GND



- M7628_I2C_SDAT
- M7628_I2C_SCLK
- M7628_I2S_CLK
- M7628_I2S_WS
- M7628_I2S_SDO
- M7628_I2S_SDI
- 3V3
- 3V3



A2002AWR-06座子淘宝链接

Title WisAudio_IV1.PrjPcb			RAKWIRELESS Technology Co., Ltd	
Doc Number: 05_Interface.SchDoc			Nanshan District	
Designer: *	Size: A4	Revision: V1.0	Shenzhen RAK 瑞科慧联	
Date: 2017/4/1	Modified: 2017/3/31	Sheet * of *	China <small>The simplest, the best!</small>	