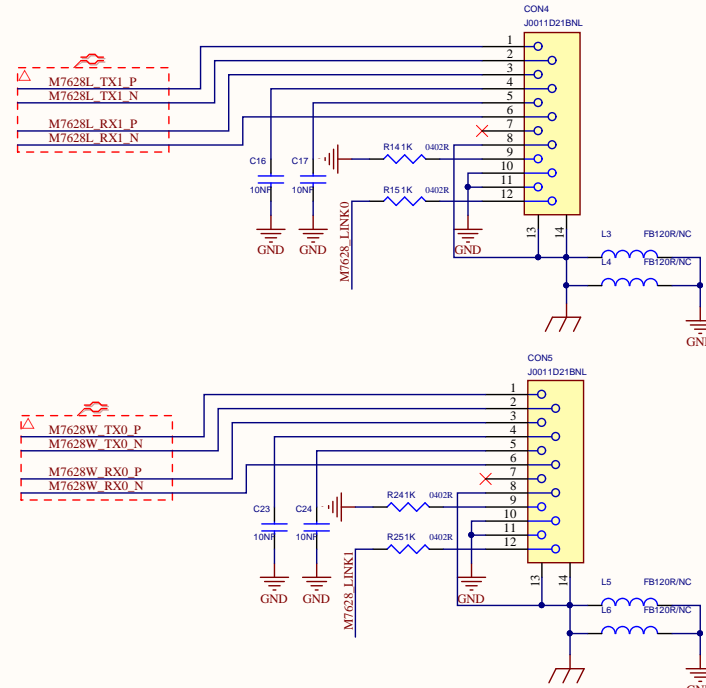
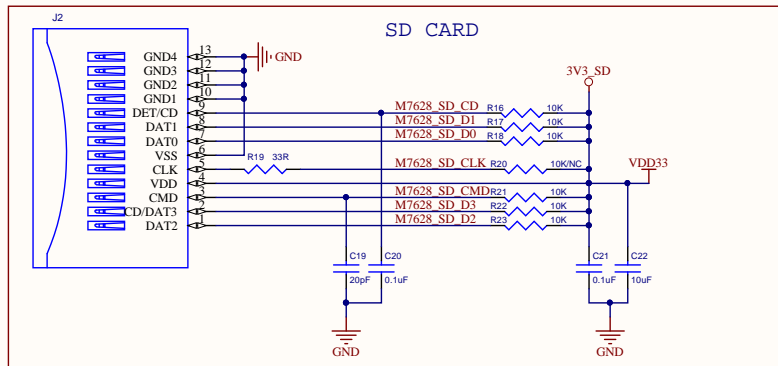
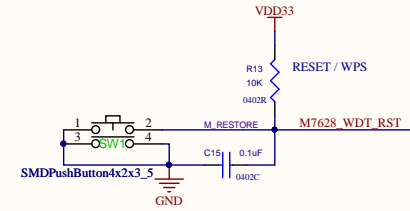
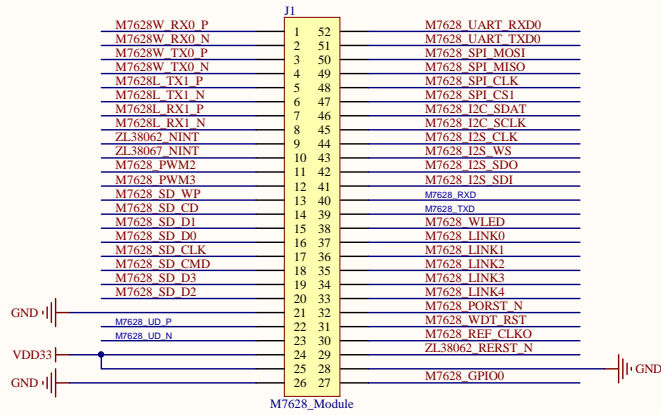
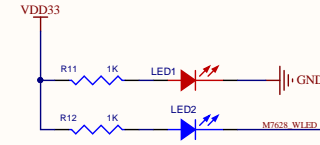
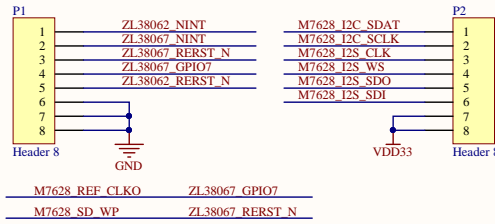


Title WisAP_IVI.PrjPCB		
Doc Number: 01_POWER&Interface.SchDoc		
Designer: *	Size: A3	Revision: *
Date: 2017/1/6	Modified: 2017/1/6	Sheet * of **

Cannot open file E:\02_Circuit Design\01 Altium Designer\My

Sound interface



Title WisAP_IVI.PrjPCB			RAKWIRELESS Technology Co., Ltd
Doc Number: 02_M7628_Router.SchDoc			Nanshan District
Designer: *	Size: A3	Revision: V1.0	Shenzhen
Date: 2017/1/6	Modified: 2017/1/6	Sheet # of #	China Design(01 Altium Designer)Mv