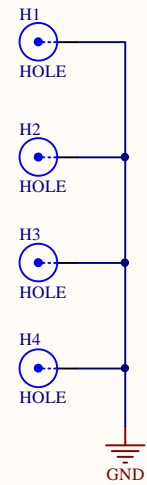
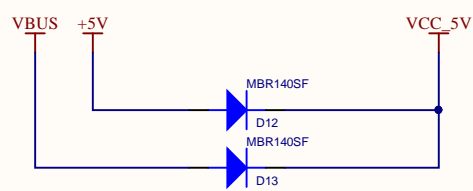
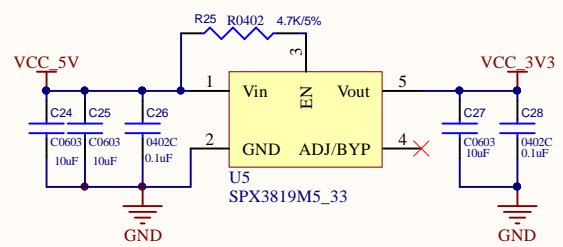
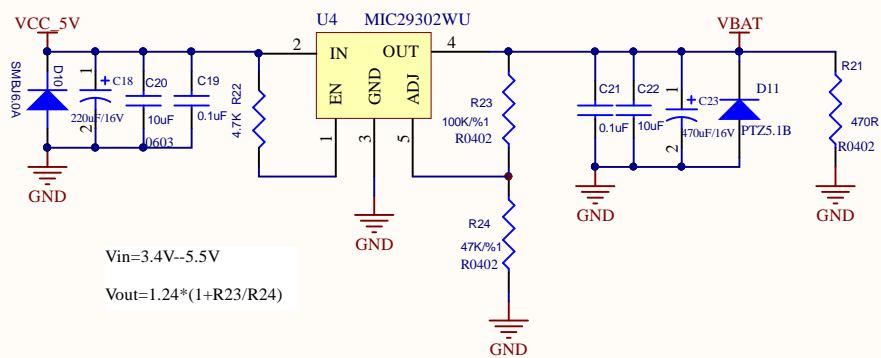
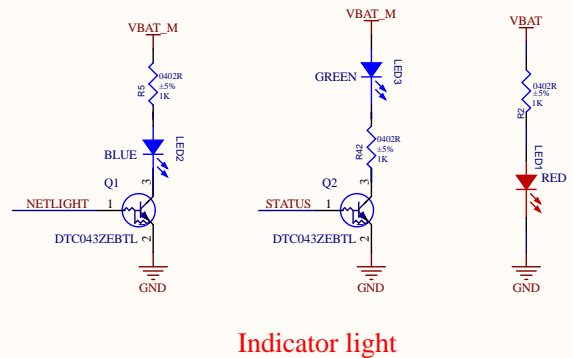
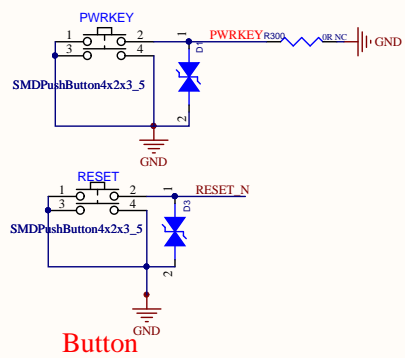
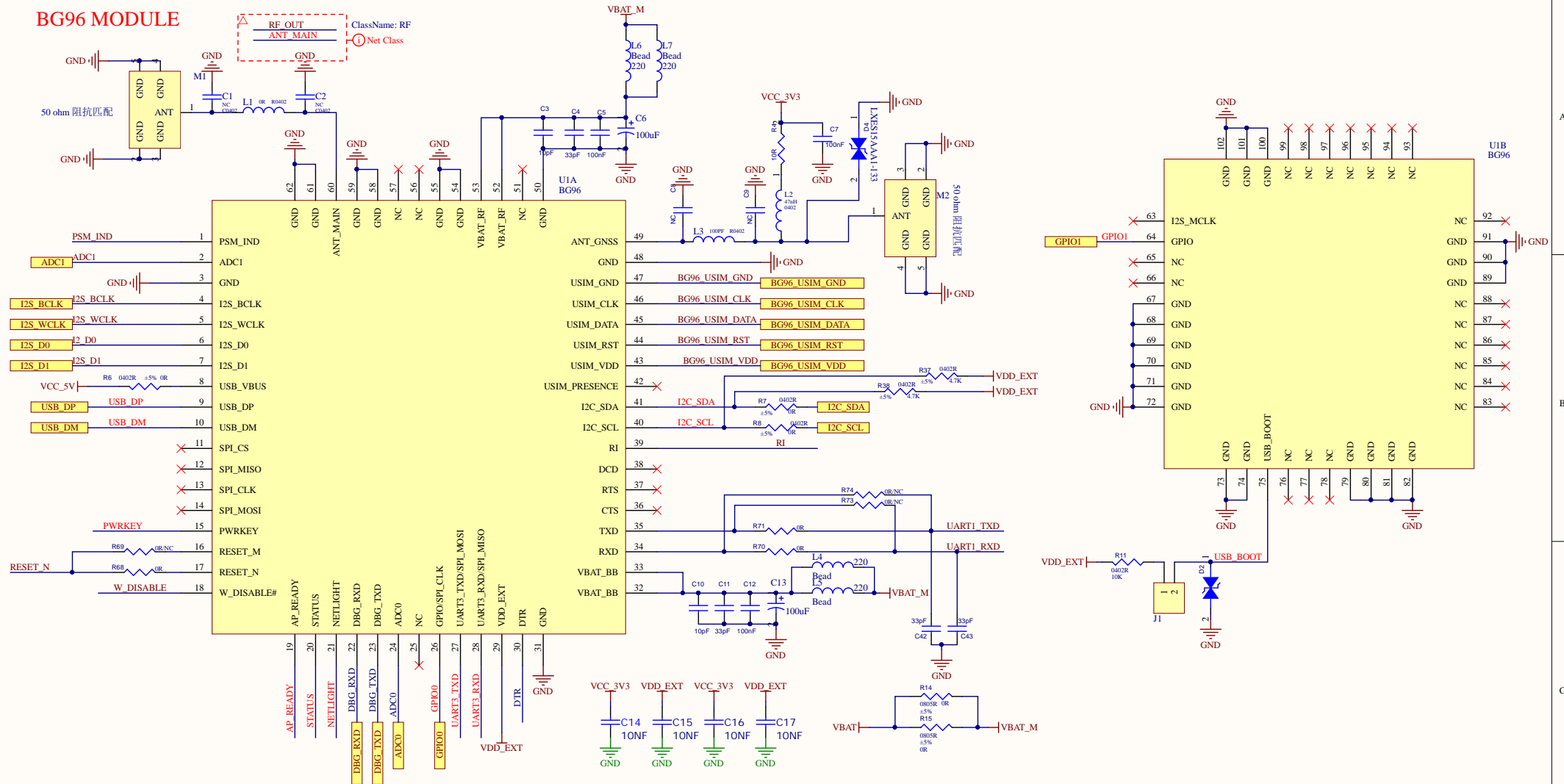


POWER



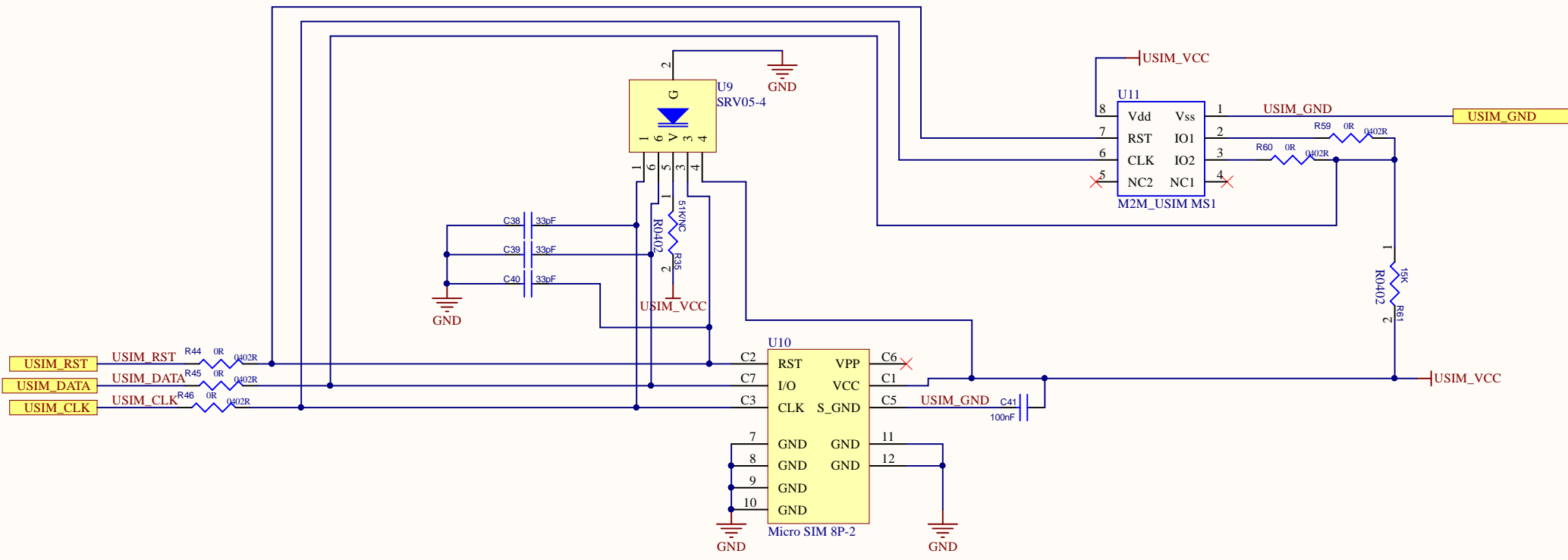
Title		
Power		
Size	Number	Revision
A4		G
Date:	2018/9/5	Sheet 2 of 7
File:	E:\new work\...\power.SchDoc	Drawn By: Terry

BG96 MODULE

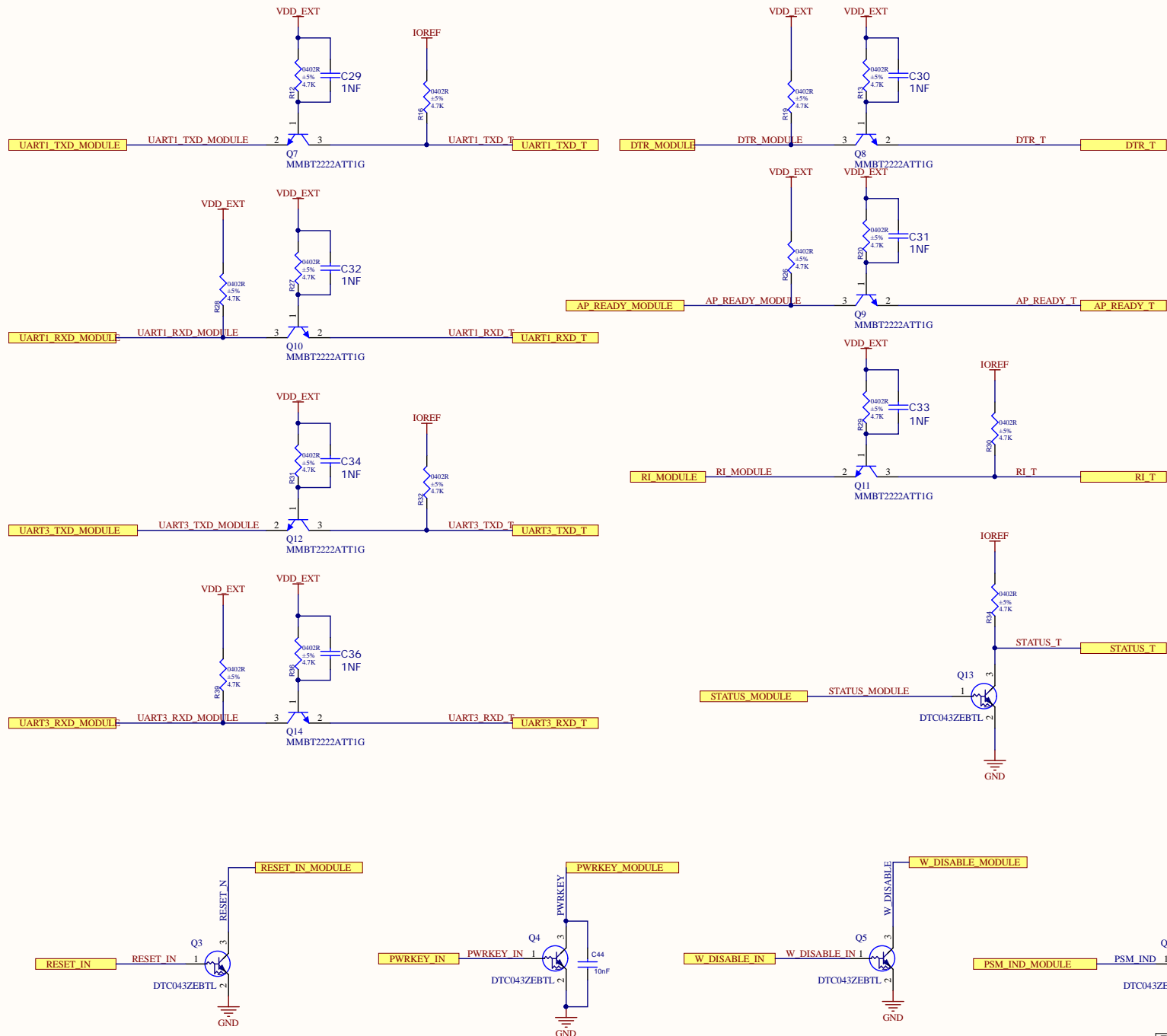


BG96_UART1_TXD	UART1_TXD
BG96_UART1_RXD	UART1_RXD
BG96_UART3_TXD	UART3_TXD
BG96_UART3_RXD	UART3_RXD
BG96_AP_READY	AP_READY
BG96_STATUS	STATUS
BG96_RI	RI
BG96_DTR	DTR
BG96_PWRKEY	PWRKEY
BG96_RESET_N	RESET_N
BG96_W_DISABLE	W_DISABLE
BG96_PSM_IND	PSM_IND

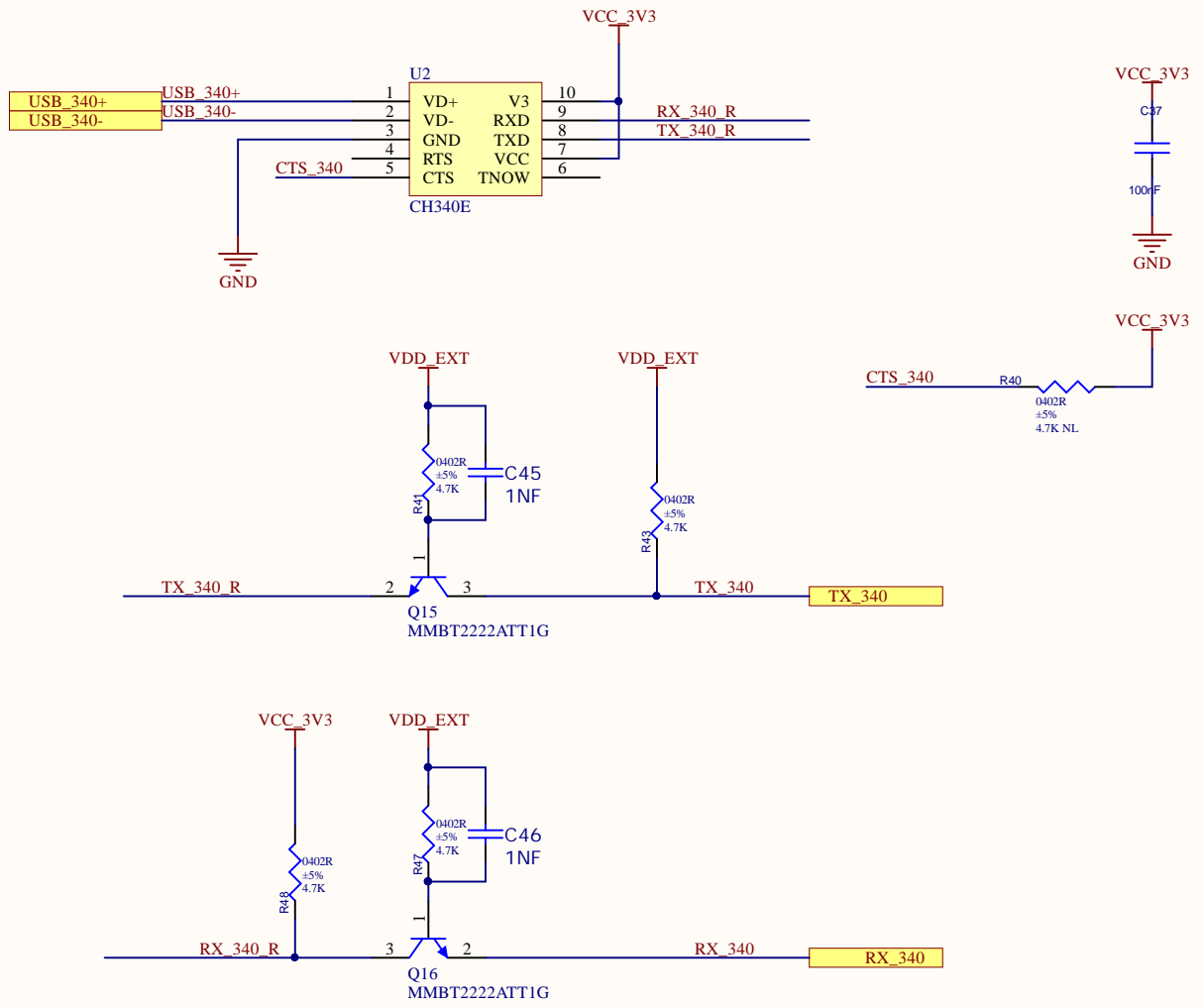
Title BG96		
Size A3	Number	Revision G
Date: 2018/9/5	Sheet 3 of 7	
File: E:\new work\...\BG96.SchDoc	Drawn By: Terry	



Title		
USIM		
Size	Number	Revision
A4		G
Date:	2018/9/5	Sheet 3 of 7
File:	E:\new work\..\USIM.SchDoc	Drawn By: Terry



Title		
Voltage transform		
Size	Number	Revision
A3		G
Date:	2018/9/5	Sheet 6 of 7
File:	E:\new work\POWER TRANSFORM.Sch Drawn By: Terry	



NOTE: NOT INSTALLED FOR BG96

Title		
USB TO UART		
Size	Number	Revision
A4		G
Date:	2018/9/5	Sheet 7 of 7
File:	E:\new work\...\USB2UART.SchDoc	Drawn By: Terry