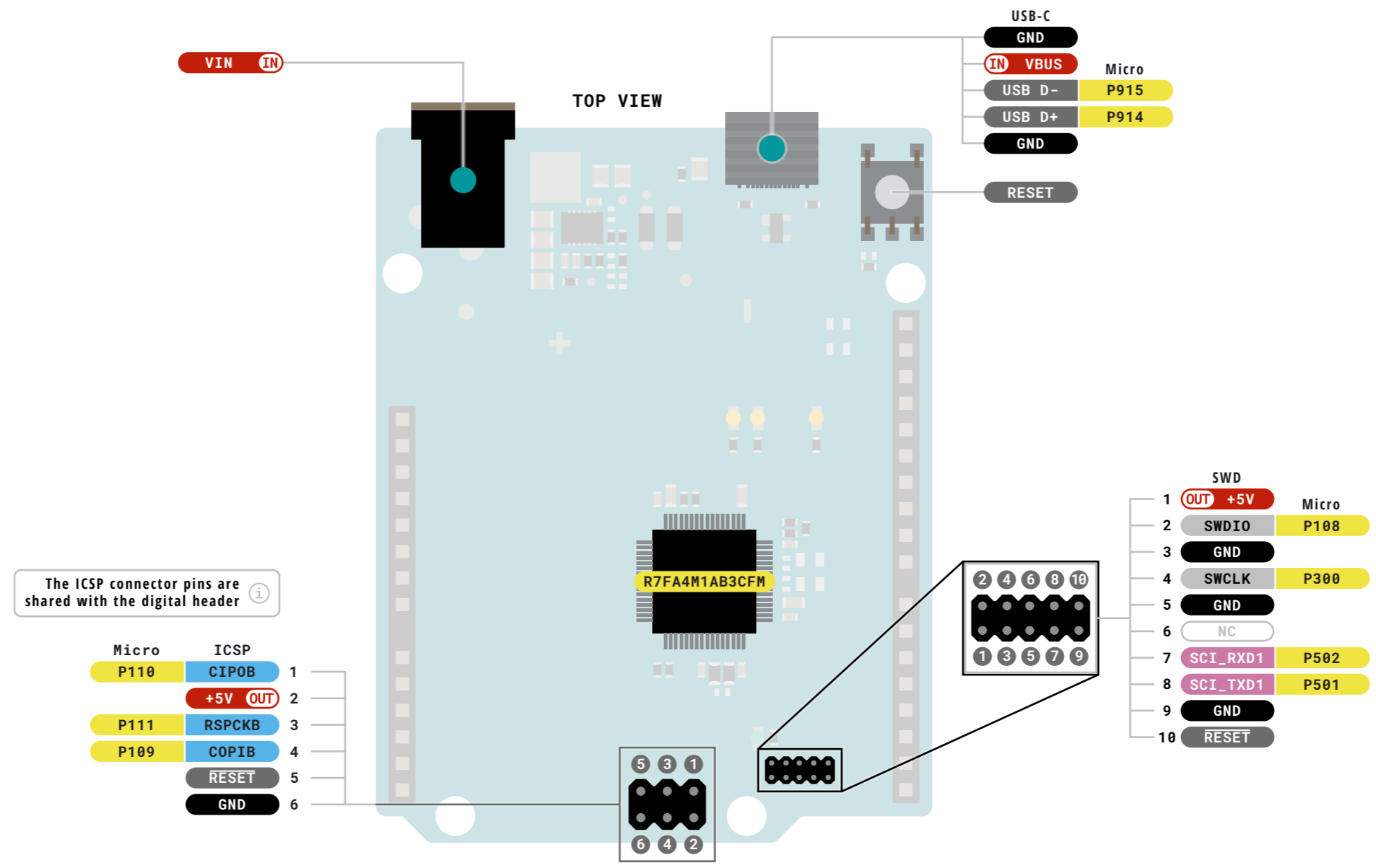


<p>Legend:</p> <ul style="list-style-type: none"> Power: Power Input (IN), Power Output (OUT), Ground GPIO Digital External: Main Part, Secondary Part, Internal Component, Other Pins (Reset, System Control, Debugging) Analog External I2C: Default SPI: Default UART/USART: Default Other SERIAL Communication Analog: Default PWM/Timer LED: LED, RGB LED, Other 	<ul style="list-style-type: none"> MAXIMUM current per pin 8mA MAXIMUM current overall 60mA CIP0/COPI have previously been referred to as MISO/MOSI 	<p>ARDUINO UNO R4 MINIMA</p> <p>SKU code: ABX00080 Full Pinout - Page 1 of 4 Last update: 14 Apr, 2023</p> <p>DOCS.ARDUINO.CC</p> <p>This work is licensed under the Creative Commons Attribution-ShareAlike 4.0 International License. To view a copy of this license, visit http://creativecommons.org/licenses/by-sa/4.0/ or send a letter to Creative Commons, PO Box 1866, Mountain View, CA 94042, USA.</p>
--	--	---



Legend:

Power	Power Input	GPIO Digital External	I2C	Default	LED
Ground	Power Output	Analog External	SPI	Default	RGB LED
		Main Part	UART/USART	Default	Other
		Secondary Part	Other SERIAL Communication		
		Internal Component	Analog	Default	
		Other Pins (Reset, System Control, Debugging)	PWM/Timer		

MAXIMUM current per pin 8mA

MAXIMUM current overall 60mA

CIP0/COPI have previously been referred to as MISO/MOSI

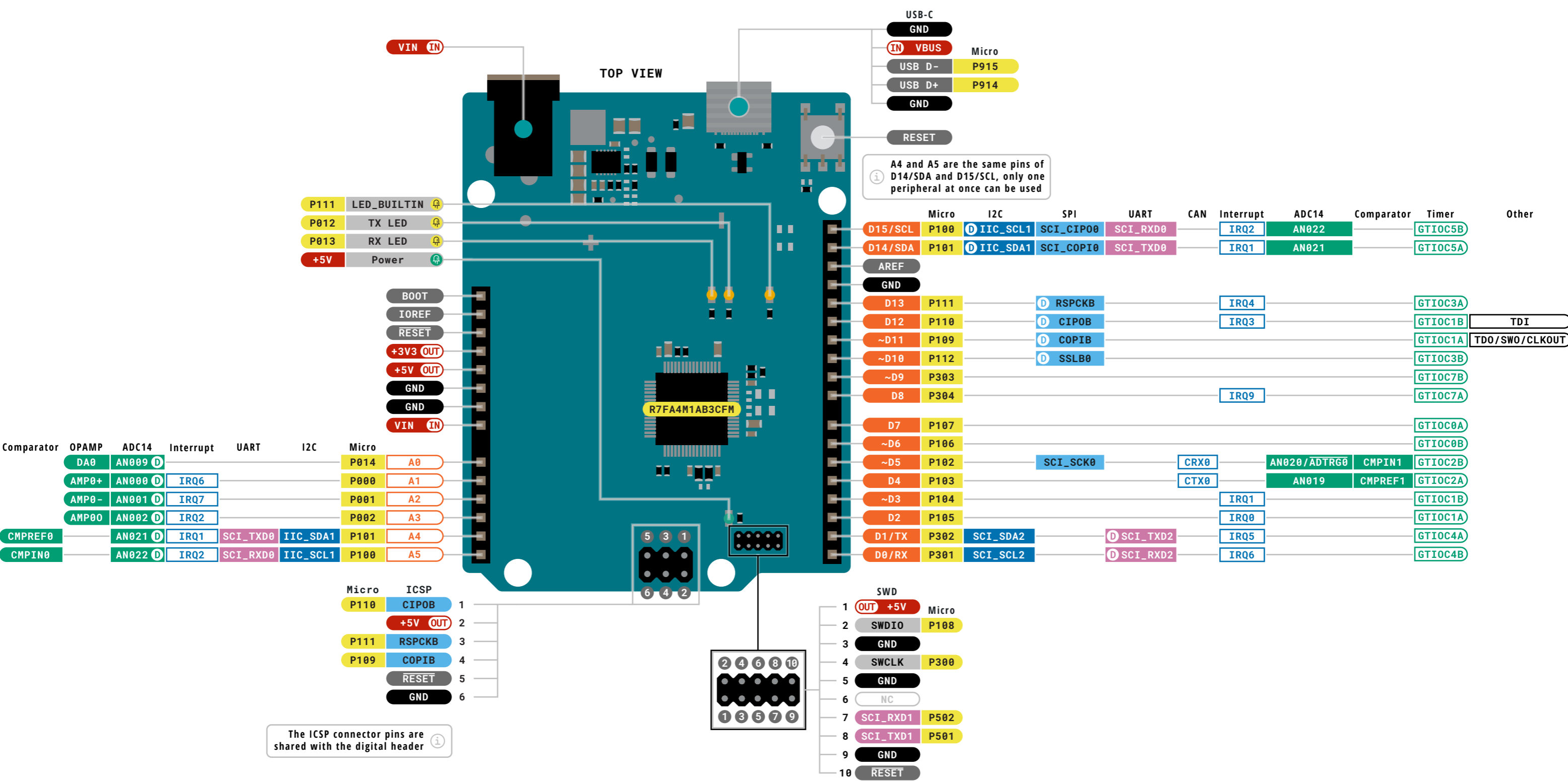
UNO R4 MINIMA
 SKU code: ABX00080
 Full Pinout - Page 2 of 4
 Last update: 14 Apr, 2023

WARNING!

Advanced Section

The following information is for advanced use only and may not be officially supported by Arduino software





The ICSP connector pins are shared with the digital header

A4 and A5 are the same pins of D14/SDA and D15/SCL, only one peripheral at once can be used

Legend:

- Power: Power Input (IN), Power Output (OUT), Ground
- GPIO Digital External
- Analog External
- Main Part
- Secondary Part
- Internal Component
- Other Pins (Reset, System Control, Debugging)
- I2C
- SPI
- UART/USART
- Other SERIAL Communication
- Analog
- PWM/Timer
- Default
- LED
- RGB LED
- Other

Warnings:

- MAXIMUM current per pin 8mA
- MAXIMUM current overall 60mA
- CIP0/COPI have previously been referred to as MISO/MOSI

ARDUINO UNO R4 MINIMA

SKU code: ABX00880
Full Pinout - Page 4 of 4
Last update: 14 Apr, 2023

DOCS.ARDUINO.CC

This work is licensed under the Creative Commons Attribution-ShareAlike 4.0 International License. To view a copy of this license, visit <http://creativecommons.org/licenses/by-sa/4.0/> or send a letter to Creative Commons, PO Box 1866, Mountain View, CA 94042, USA.